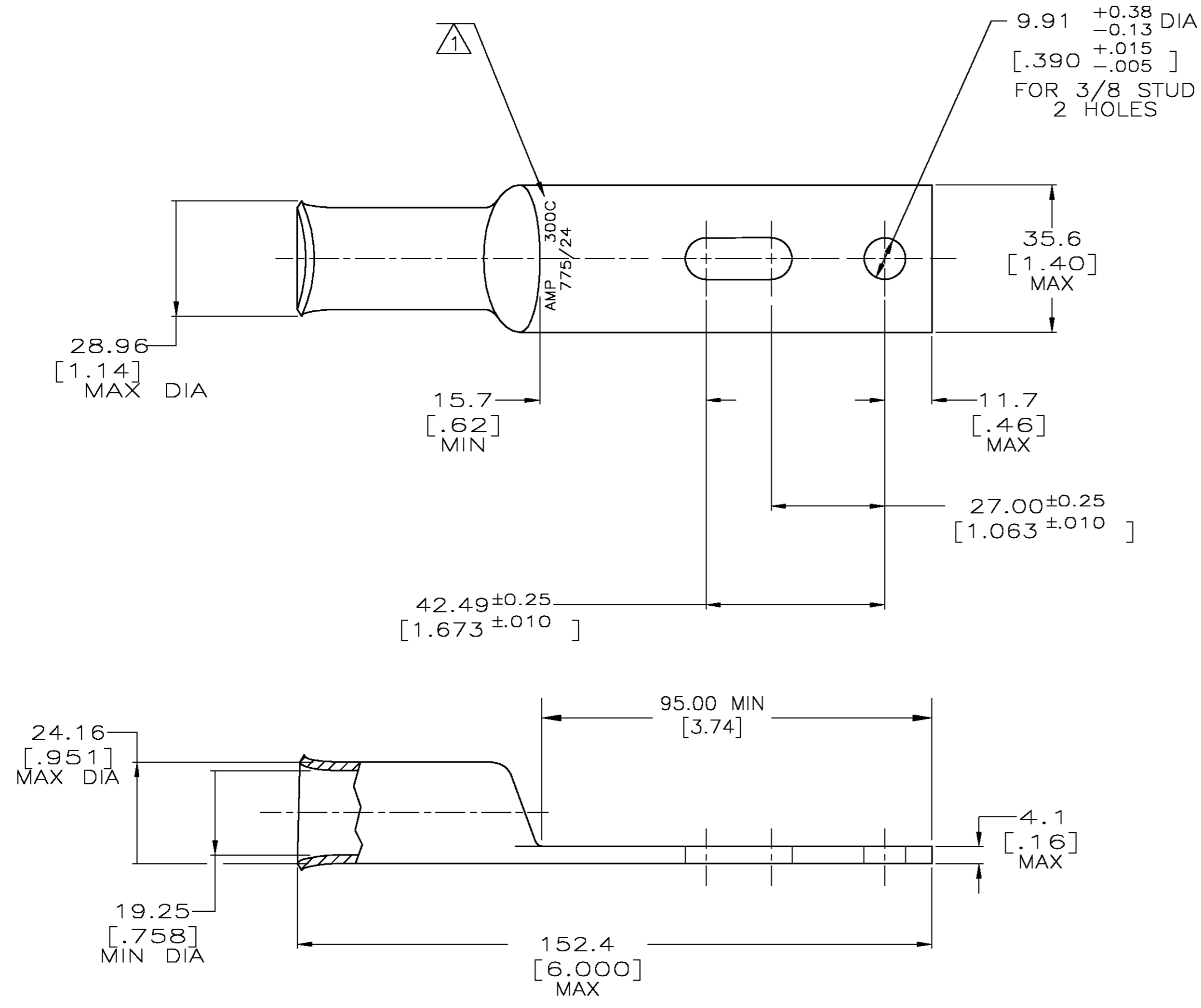


THIS DRAWING IS UNPUBLISHED. RELEASED FOR PUBLICATION
 © COPYRIGHT BY TYCO ELECTRONICS CORPORATION. ALL RIGHTS RESERVED.

LOC	DIST	REVISIONS					
G	86	P	LTR	DESCRIPTION	DATE	DWN	APVD
		A		REL PER 0G3A-0096-03	19FEB03	JR	MS



- 1 STAMP AMP 300C 775/24 APPROX AS SHOWN.
- 2 CIRCULAR MIL RANGE: 275-325 MCM.
- 3 MATERIAL: ANNEALED COPPER ASTM B-188.
- 4 FINISH: 0.00381 [.000150] MIN TIN PLATE PER ASTM B-545.

696475

696475-1
PART NUMBER

THIS DRAWING IS A CONTROLLED DOCUMENT.		DWN MICHAEL S. FEHER 21NOV2002	Tyco Electronics Corporation Harrisburg, PA 17105-3608	
DIMENSIONS: mm [INCHES]		CHK MICHAEL SPICER 21NOV2002		
TOLERANCES UNLESS OTHERWISE SPECIFIED:		APVD MICHAEL SPICER 21NOV2002	NAME TERMINAL, AMPPOWER, WIRE SIZE: 300 MCM	
0 PLC ± - 1 PLC ± - 2 PLC ± 0.51 [.020] 3 PLC ± - 4 PLC ± - ANGLES ± - FINISH - 4		PRODUCT SPEC 108-30200	SIZE A2	CAGE CODE 00779
MATERIAL - 3		APPLICATION SPEC -	DRAWING NO C=696475	RESTRICTED TO -
CUSTOMER DRAWING		WEIGHT .350 LBS	SCALE 1:1	SHEET 1 OF 1

X-ON Electronics

Largest Supplier of Electrical and Electronic Components

Click to view similar products for [Heavy Duty Power Connectors](#) category:

Click to view products by [TE Connectivity](#) manufacturer:

Other Similar products are found below :

[1424439](#) [1424438](#) [09330062652](#) [2-8675P1](#) [580129-2](#) [605601-1](#) [6340G1](#) [6341G1](#) [6360G1](#) [6373G1](#) [6374g2](#) [6396G1](#) [647757-1](#) [66394-4](#)
[6643411-1](#) [6646058-2](#) [6646137-1](#) [6646138-1](#) [6646348-1](#) [6646479-1](#) [6646608-1](#) [6646786-1](#) [6646940-1](#) [6651091-1](#) [6651525-1](#) [6651529-1](#)
[6651778-1](#) [6651788-1](#) [696465-1](#) [696475-1](#) [73000005059](#) [73000005349](#) [73000005642](#) [73080255059](#) [73080965046](#) [765-15-0080A](#)
[765-16-0080B](#) [789.700-44](#) [789.700-54](#) [80-1010](#) [80-9](#) [827381-1](#) [829992-1](#) [902-77-02113](#) [PL00U-301-10D10](#) [PM103MOOLOO](#)
[PM16S1620S32-50](#) [PM212MOOLOO](#) [PM309FOOLOO](#) [PM324FOOLCH](#)