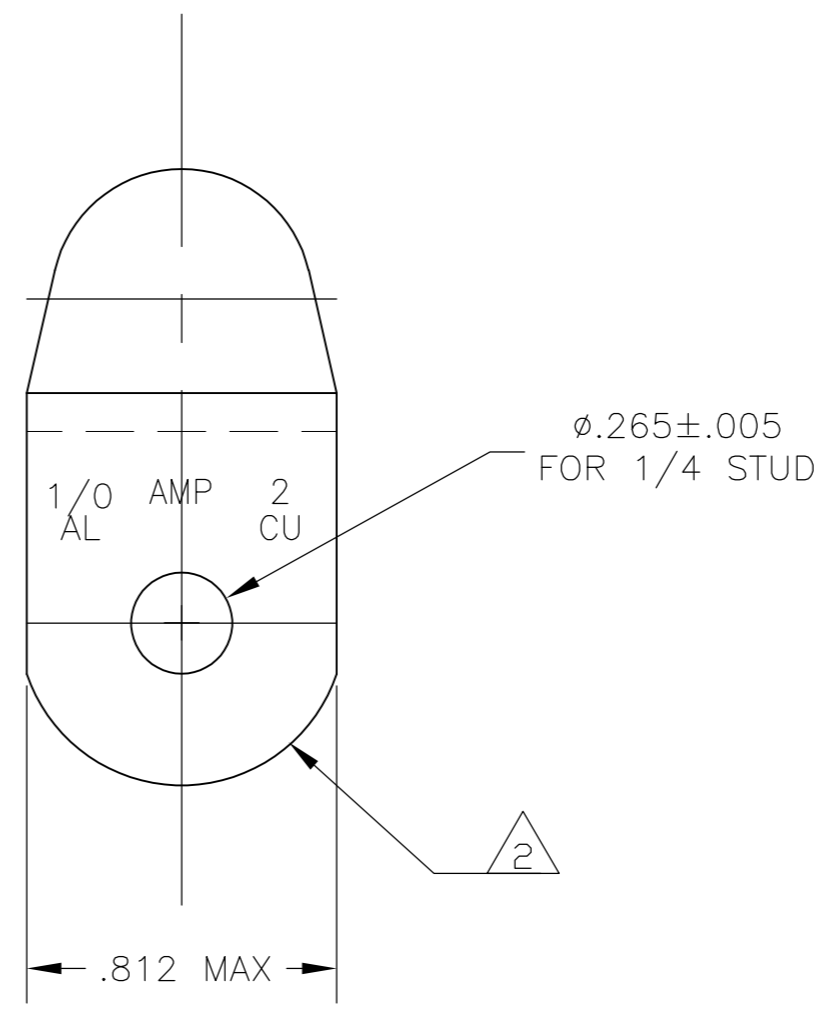
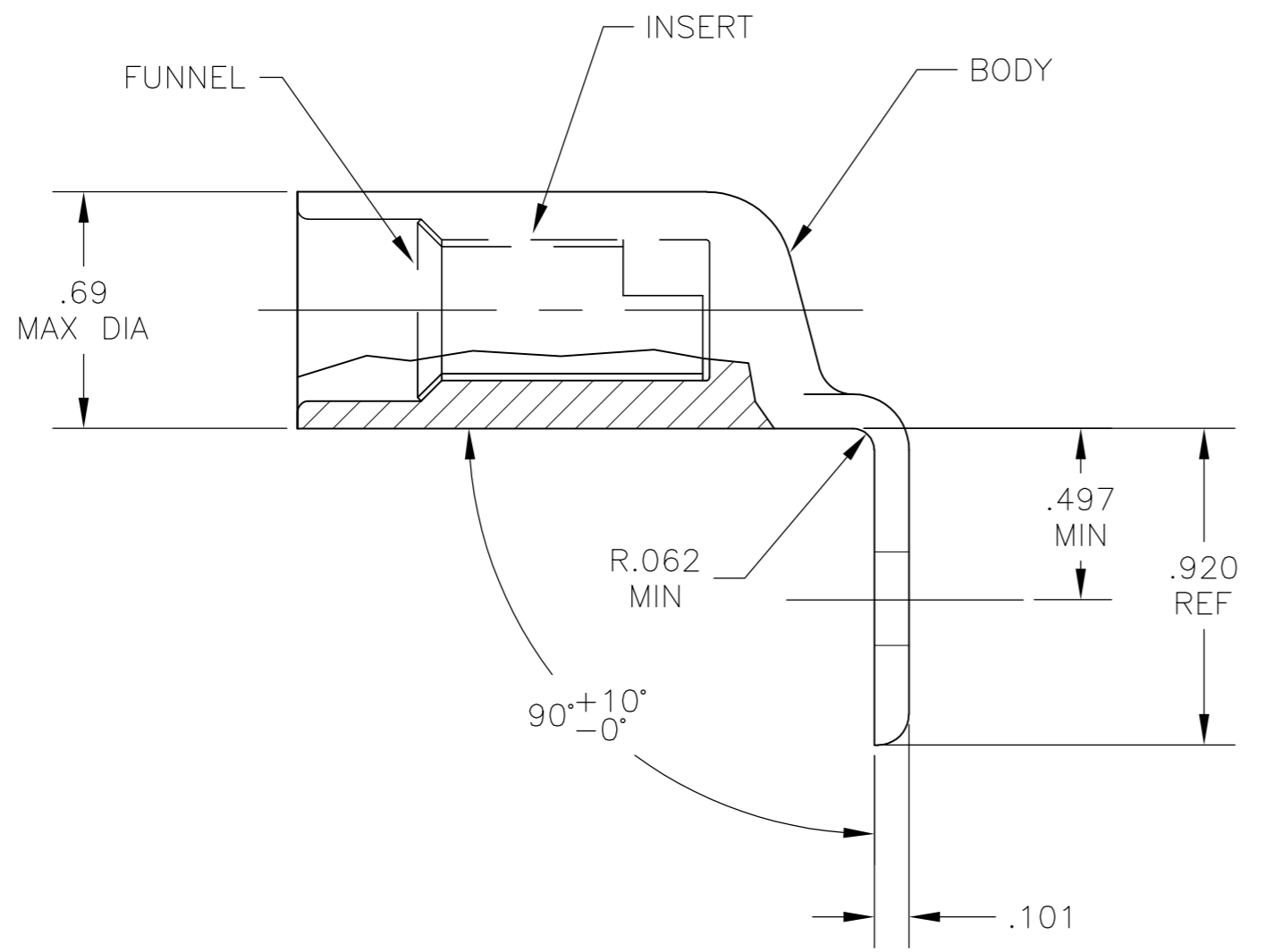
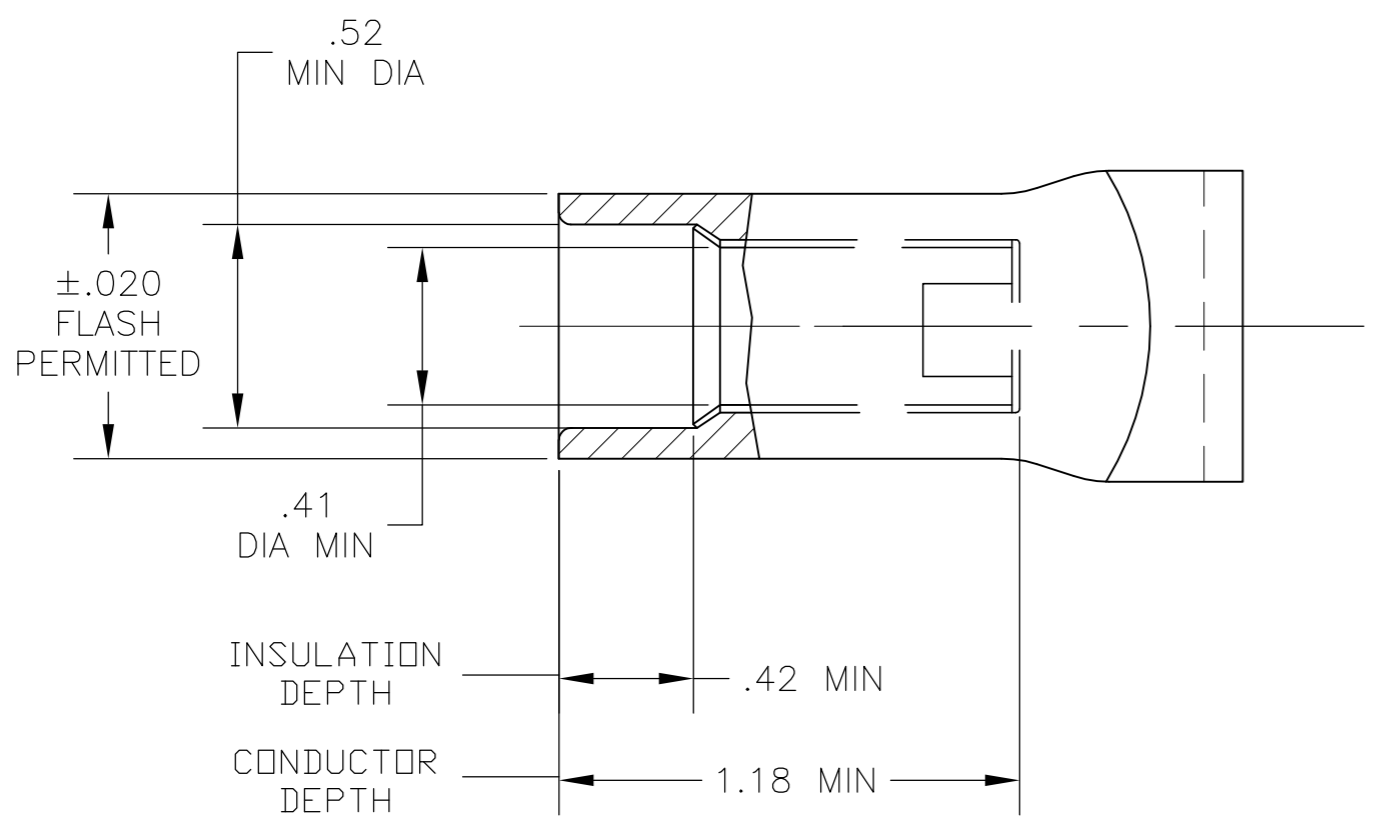


THIS DRAWING IS UNPUBLISHED. RELEASED FOR PUBLICATION
 © COPYRIGHT - By - ALL RIGHTS RESERVED.

LOC	DIST	REVISIONS			
P	LTR	DESCRIPTION	DATE	DWN	APVD
G	02	B	REV PER ECO-11-013399	15JUL11	PY BW



- 1 WIRE INSULATION: .470/.425 DIA
- 2 THE TONGUE RADIUS FEATURE IS NOT A TOOLING CONTROLLED DIMENSION AND MAY NOT BE A TRUE RADIUS.
- 3 BODY: MATERIAL - COPPER ASTM B187 ANNEALED
FINISH - TIN PL PER ASTM B-545 .000150 MIN THK
- 4 INSERT: MATERIAL - BRASS MIL-C-50
FINISH - NICKEL PL PER QQ-N-290 .000300 AVG THK
- 5 FUNNEL: MATERIAL - BRASS MIL-C-50
FINISH - NICKEL PL PER QQ-N-290 .000300 AVG THK

696632

B

A

696632-1
PART NO

THIS DRAWING IS A CONTROLLED DOCUMENT.		DWN jr ruth 02SEP03		
DIMENSIONS: INCHES		CHK MJ SPICER 02SEP03		
TOLERANCES UNLESS OTHERWISE SPECIFIED:		APVD MJ SPICER 02SEP03	NAME SEALED COPALUM, RING TONGUE WIRE SIZE : 1/0 AL - 2 CU	
0 PLC ± -	1 PLC ± -	PRODUCT SPEC	SIZE A2	CAGE CODE 00779
2 PLC ± -	3 PLC ± .005	APPLICATION SPEC	DRAWING NO C=696632	RESTRICTED TO
4 PLC ± -	ANGLES ± 1°	WEIGHT	SCALE 1:1	SHEET 1 of 1
MATERIAL	FINISH	CUSTOMER DRAWING	REV B	

X-ON Electronics

Largest Supplier of Electrical and Electronic Components

Click to view similar products for [Terminals](#) category:

Click to view products by [TE Connectivity](#) manufacturer:

Other Similar products are found below :

[HT-13-10](#) [71M-250-32-NB](#) [01-2065-1-0216](#) [00581P0075](#) [M10-10RX](#) [M10BCK](#) [60205-1](#) [604200-1](#) [60598-1-CUT-TAPE](#) [60617-1-C](#) [60873-1](#) [M14-516R/SK](#) [M14-6RSX](#) [M18-8FBX](#) [M18-8R/LX](#) [M18BCK](#) [61314-6-C](#) [61-S](#) [61-SN-A](#) [62-NBM-A](#) [63-S](#) [640179-1](#) [640917-2-CUT-TAPE](#) [6501550002](#) [66107-2-C](#) [696683-1](#) [696834-1](#) [696861-1](#) [696931-1](#) [696999-1](#) [M8-516RK](#) [M86700006](#) [MA250DMFMX-A](#) [701-2007](#) [701-2307](#) [701-7761-03](#) [70F-110-32-PB](#) [718-N-A](#) [71M-187-20-NBL](#) [71M-250-32-NBL](#) [72F-187-20-NBL](#) [72M-250-32-NBL](#) [7310](#) [73F-250-32](#) [73F-250-32-NL](#) [F14-10C](#) [F-1M](#) [751-250](#) [76650-5002](#) [76828-149](#)