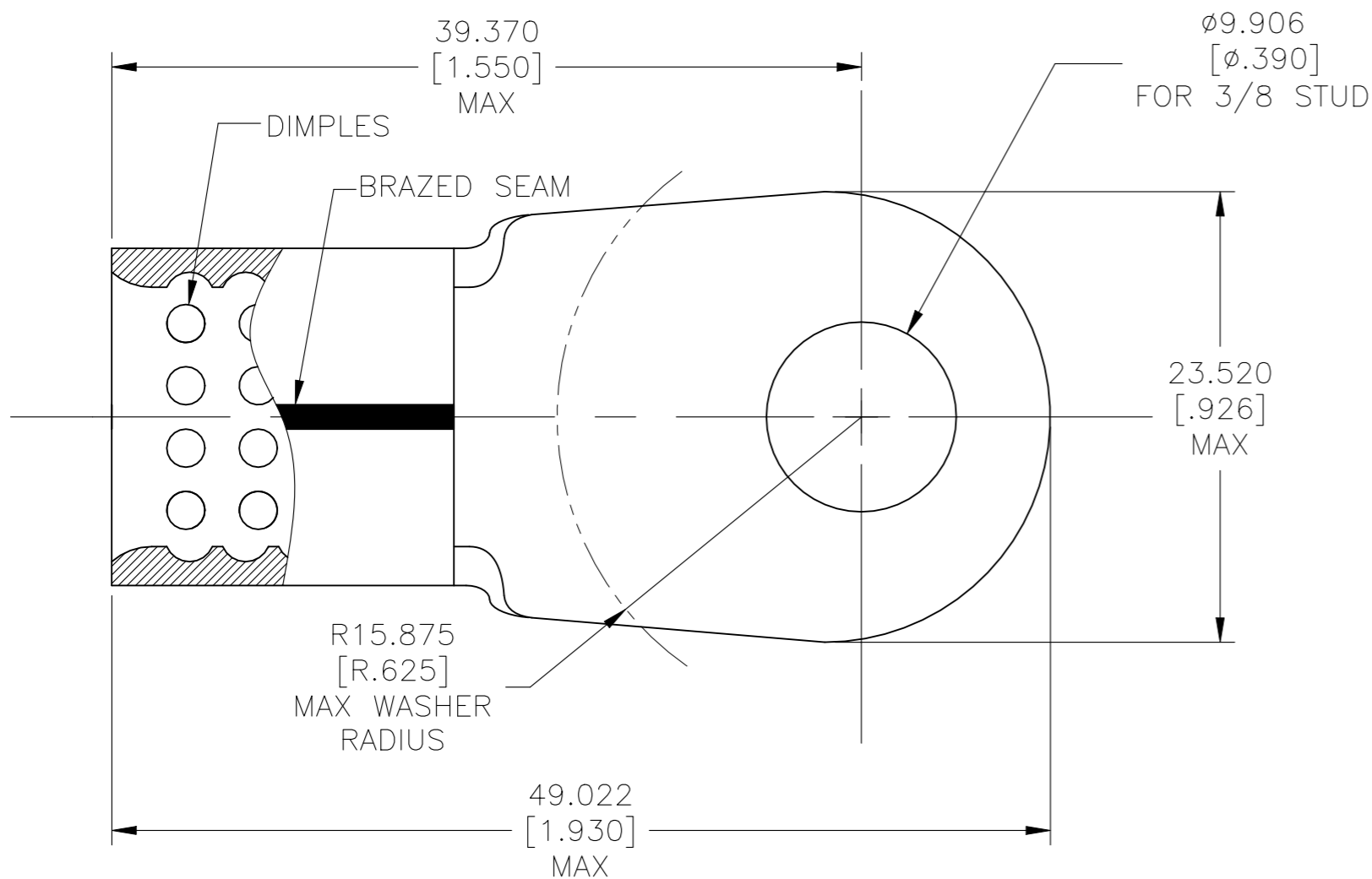


REVISIONS

| P | LTR | DESCRIPTION | DATE | DWN | APVD |
|---|-----|---------------------------|-----------|-----|------|
| | B | REVISED PER ECO-19-009164 | 25JUN2020 | KG | DR |



- 1 WIRE RANGE IS FOR 2/0 AWG. STANDARD WIRE CROSS SECTIONAL AREA RANGE: 119,500-150,500 CMA, STRANDED WIRE.
 - 2 TERMINAL BODY MATERIAL THK IS 2.032±0.076[.080±.003].
 - 3 RECOMMENDED OPERATING TEMP -55°C [131°F] TO +200°C [392°F] FOR HEAT SHRINK TUBING
 - 4 HEAT SHRINK TUBING SHELF LIFE OF 18 MONTHS FROM DATE CODE ON LABEL
- △ 5 TERMINAL APPLICATION SPECIFICATION 114-2162

| | | |
|----|-------------|--|
| 1 | 6-1192857-2 | HIGH AND LOW TEMPERATURE CROSS LINKED FLUOROPOLYMER HEAT SHRINK TUBING 19.05[.750]MIN IDX44.45±3.05[1.75±.12] RT555-3/4-0-SP |
| 1 | 321871-2 | TERMINAL BODY: COPPER PER ASTM B152 ANNEALED FINISH: NICKEL PLATE 0.00762 [.000300] MIN EXT THK PER SAE AMS QQ-N-290 |
| -1 | PART NO | DESCRIPTION |

| | | | | | |
|--|--|--|----------------------------|------------------------------------|---------------|
| THIS DRAWING IS A CONTROLLED DOCUMENT. | | DWN JR RUTH 08DEC09 | STE TE Connectivity | | |
| | | CHK TOM MICHIELUTTI 08DEC09 | | | |
| DIMENSIONS: mm [INCHES] | | TOLERANCES UNLESS OTHERWISE SPECIFIED: | | APVD TOM MICHIELUTTI 08DEC09 | |
| | | 0 PLC ± - | | NAME | |
| | | 1 PLC ± - | | HEAT RESISTANT TERMINAL KIT | |
| | | 2 PLC ± - | | WIRE SIZE: 2/0 AWG | |
| | | 3 PLC ± 0.127 [.005] | | PRODUCT SPEC | |
| | | 4 PLC ± - | | APPLICATION SPEC | |
| | | ANGLES ± 1° | | △ 5 | |
| MATERIAL SEE TABLE | | FINISH SEE TABLE | | SIZE | RESTRICTED TO |
| | | | | CAGE CODE | |
| | | | | DRAWING NO | |
| | | | | WEIGHT | |
| | | | | A300779 | |
| | | | | C-696650 | |
| | | CUSTOMER DRAWING | | SCALE | REV |
| | | | | 3:1 | B |
| | | | | SHEET | |
| | | | | 1 OF 1 | |

X-ON Electronics

Largest Supplier of Electrical and Electronic Components

Click to view similar products for [Terminals](#) category:

Click to view products by [TE Connectivity](#) manufacturer:

Other Similar products are found below :

[00-054007-01074-6](#) [00-054007-70206-1](#) [00-054007-70210-8](#) [00-054007-70217-7](#) [00-054007-70226-9](#) [00-054007-70228-3](#) [00-054007-70248-1](#) [00-054007-70256-6](#) [00-054007-70301-3](#) [00-054007-70316-7](#) [0-0320562-0](#) [00-054007-49560-4](#) [00-054007-70209-2](#) [00-054007-70225-2](#) [00-054007-70227-6](#) [00-054007-70231-3](#) [00-054007-70241-2](#) [00-054007-70242-9](#) [00-054007-70244-3](#) [00-054007-70246-7](#) [00-054007-70263-4](#) [00-054007-70288-7](#) [00-054007-70290-0](#) [00-054007-70300-6](#) [00-054007-70304-4](#) [01-2065-1-0216](#) [01-2900-1-04412](#) [00581P0075](#) [600TS-10](#) [60205-1](#) [604200-1](#) [605601-1](#) [60598-1-CUT-TAPE](#) [61314-6-C](#) [61810-3](#) [61-S](#) [61-SN](#) [626-0194](#) [62-NBM-A](#) [62-SN](#) [62-SP](#) [63-S](#) [640179-1](#) [M55155/059I03](#) [M55155/079C01](#) [M55155/099H02](#) [M55155/109H01](#) [M55155/109H02](#) [M55155/12XH05](#) [M55155/16XH02](#)