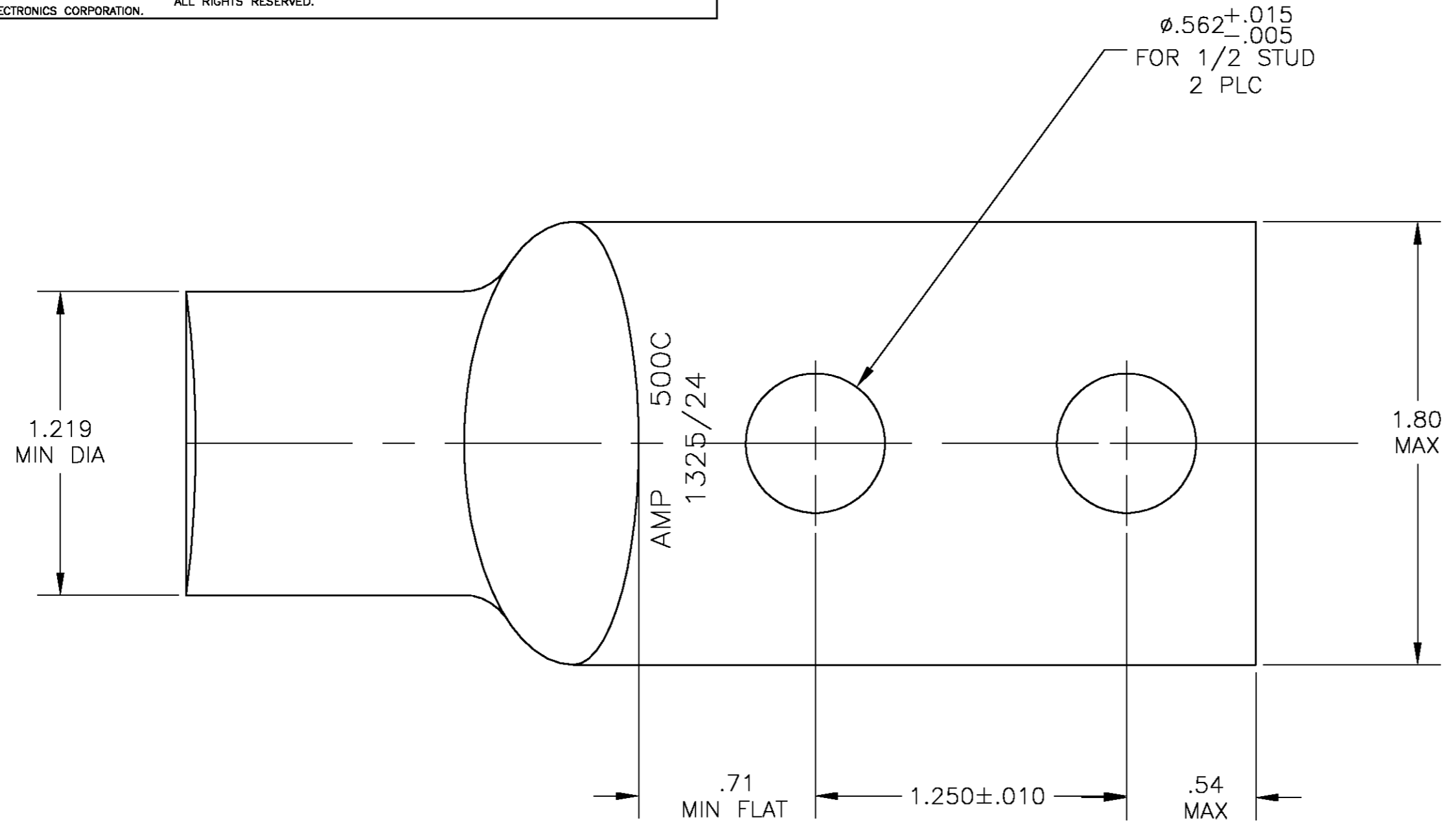
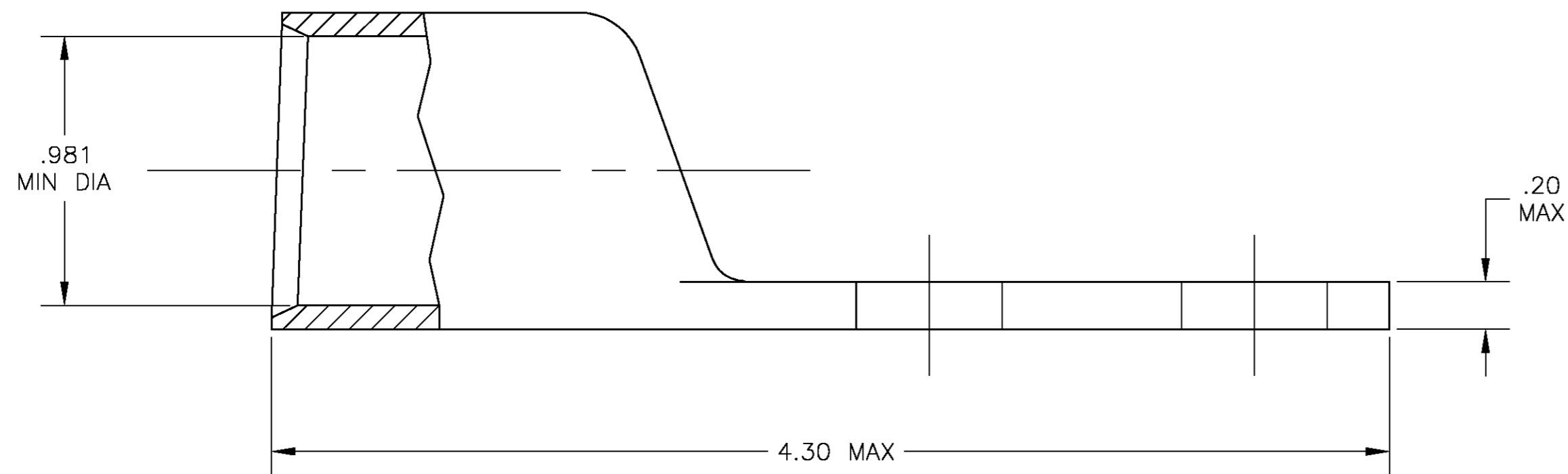


THIS DRAWING IS UNPUBLISHED. RELEASED FOR PUBLICATION
 © COPYRIGHT BY TYCO ELECTRONICS CORPORATION. ALL RIGHTS RESERVED.

| LOC | DIST | REVISIONS | | | | | |
|-----|------|-----------|-----|----------------------|---------|-----|------|
| | | P | LTR | DESCRIPTION | DATE | DWN | APVD |
| G | 10 | B | | REV PER 0G3A-0129-04 | 23FEB04 | JR | MS |



- 1 CIRCULAR MIL AREA RANGE: 450-550 MCM
- 2 COPPER PER ASTM B-75, ANNEALED
- 3 TIN PLATE .000150 MIN THK PER ASTM B-545
- 4 PRE-PRODUCTION - FASR REQUIRED



4 696683-1
AMP
PART NUMBER

| | | | | | |
|---|-----|--------------|-----------|---------------|--|
| THIS DRAWING IS A CONTROLLED DOCUMENT. | | DWN | jr ruth | 15JAN04 | Tyco Electronics Corporation Harrisburg, Pa, 17105-3608 |
| DIMENSIONS: INCHES | | CHK | MJ SPICER | 15JAN04 | |
| TOLERANCES UNLESS OTHERWISE SPECIFIED: | | APVD | MJ SPICER | 15JAN04 | |
| 0 PLC ± - 1 PLC ± - 2 PLC ± .02 3 PLC ± - 4 PLC ± - ANGLES ± - | | PRODUCT SPEC | 108-30200 | | |
| MATERIAL | - 2 | FINISH | 3 | WEIGHT | - |
| CUSTOMER DRAWING | | SCALE | 2:1 | | SHEET 1 OF 1 |
| | | SIZE | A2 00779 | | DRAWING NO |
| | | C=696683 | | RESTRICTED TO | - |
| | | REV B | | | |

696683

X-ON Electronics

Largest Supplier of Electrical and Electronic Components

Click to view similar products for [Terminals](#) category:

Click to view products by [TE Connectivity](#) manufacturer:

Other Similar products are found below :

[HT-13-10](#) [71M-250-32-NB](#) [01-2065-1-0216](#) [00581P0075](#) [M10-10RX](#) [M10BCK](#) [60205-1](#) [604200-1](#) [60598-1-CUT-TAPE](#) [60617-1-C](#) [60873-1](#) [M14-516R/SK](#) [M14-6RSX](#) [M18-10FLX](#) [M18-8FBX](#) [M18-8R/LX](#) [M18BCK](#) [61314-6-C](#) [61-S](#) [61-SN-A](#) [62-NBM-A](#) [63-S](#) [640179-1](#) [640917-2-CUT-TAPE](#) [6501550002](#) [66107-2-C](#) [66107-4-C](#) [696683-1](#) [696834-1](#) [696861-1](#) [696931-1](#) [696999-1](#) [M8-516RK](#) [M86700006](#) [MA250DMFMX-A](#) [701-2007](#) [701-2307](#) [701-7761-03](#) [70F-110-32-PB](#) [718-N-A](#) [71M-187-20-NBL](#) [71M-250-32-NBL](#) [72F-187-20-NBL](#) [72M-250-32-NBL](#) [7310](#) [73F-250-32](#) [73F-250-32-NBL](#) [73F-250-32-NL](#) [F14-10C](#) [F-1M](#)