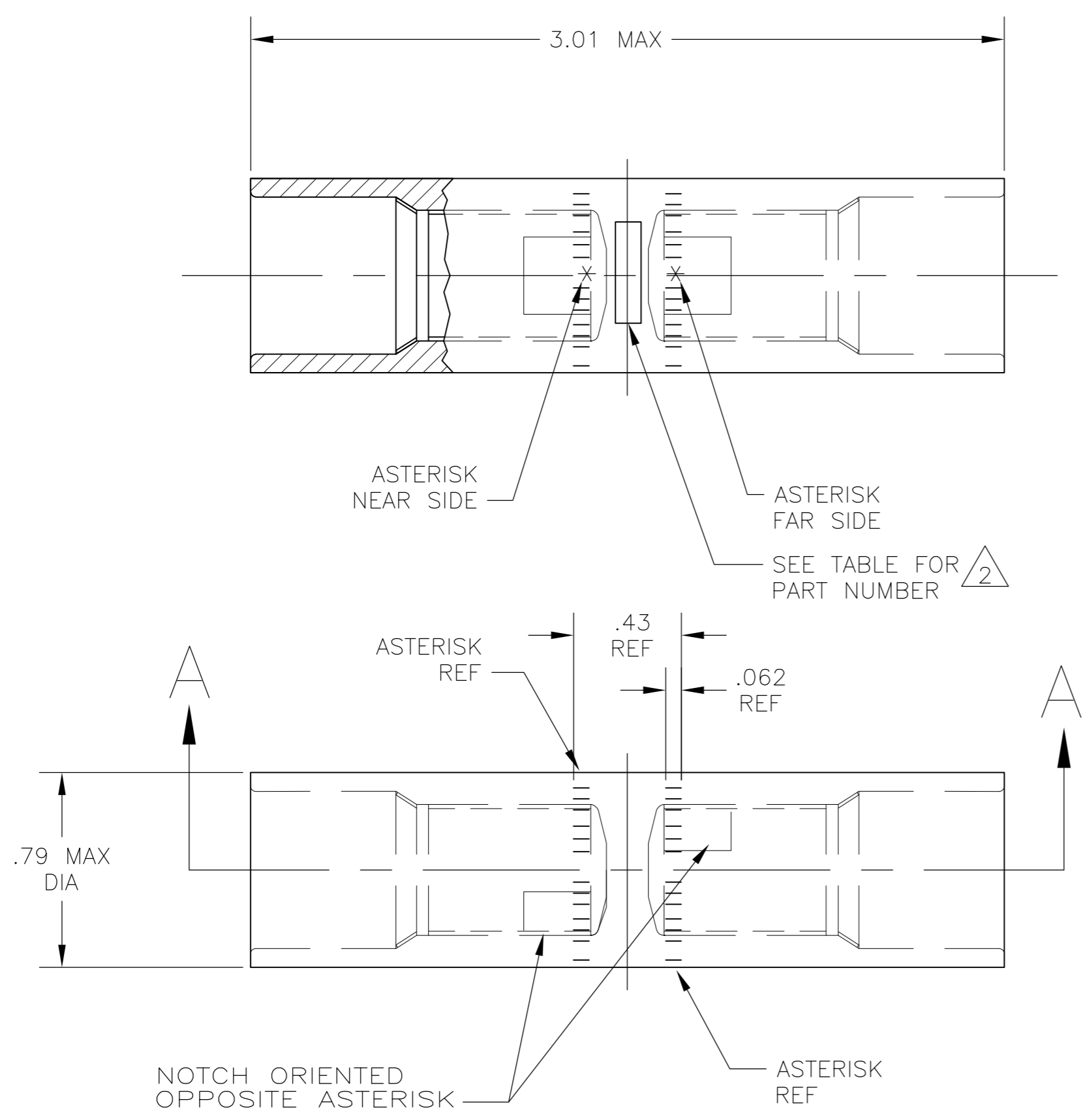
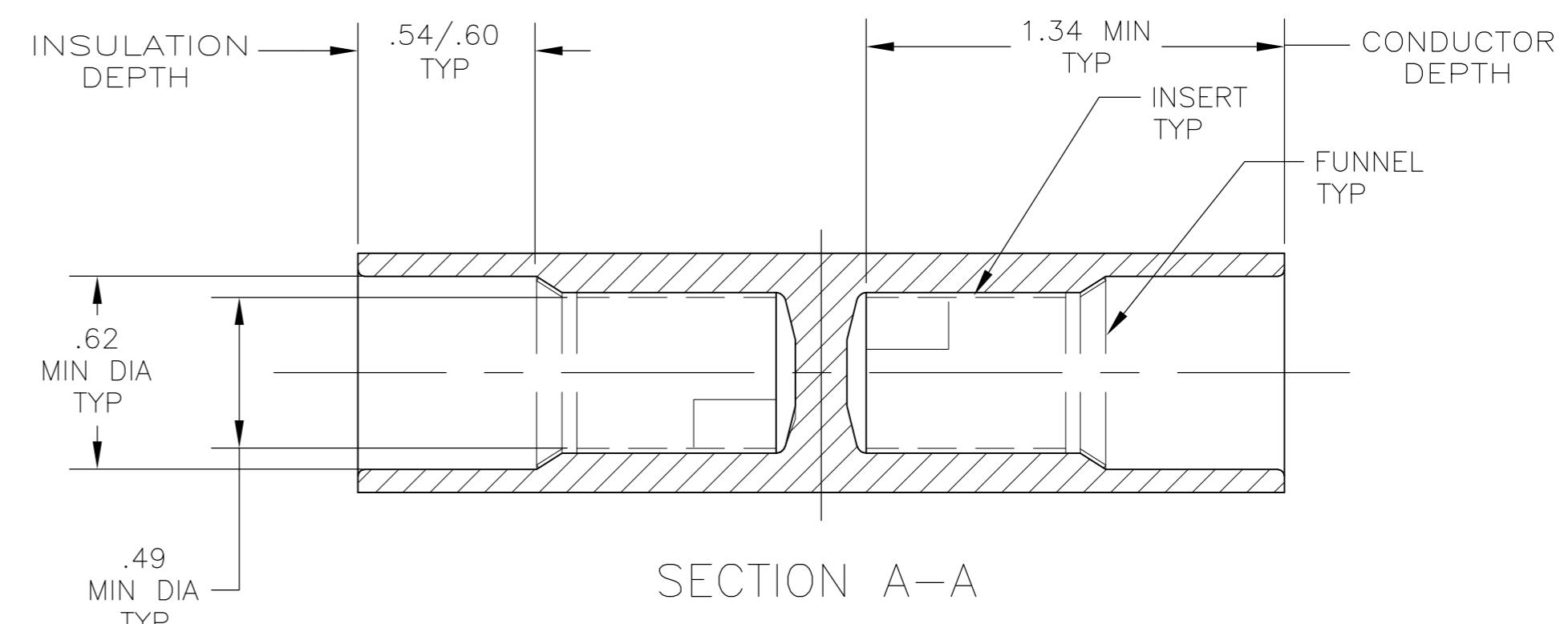


THIS DRAWING IS UNPUBLISHED. RELEASED FOR PUBLICATION
 © COPYRIGHT - By - ALL RIGHTS RESERVED.

LOC	DIST	REVISIONS			
P	LTR	DESCRIPTION	DATE	DWN	APVD
G	86				
	H	REVISED PER ECO-11-017193	12OCT11	PY	BW



- 1 WIRE INSULATION: .501-.553 DIA
- 2 STAMP " 696861-x AMP 2/OAL-1/OCU 13-78" SIZE AND LOCATION APPROX AS SHOWN



BODY: COPPER ASTM B-187 TIN PL PER ASTM B-545 .000150 MIN THK	696861-1
INSERT & FUNNEL: BRASS ASTM B36 NICKEL PL SAE AMS QQ-N-290A, DATED JULY 2000, 0.00254 [.000100] MIN THK	
MATERIAL AND FINISH	PART NO

THIS DRAWING IS A CONTROLLED DOCUMENT.		DWN	JR RUTH	27OCT05	 TE Connectivity
DIMENSIONS: MM [INCHES]		CHK	MS FEHER	27OCT05	
TOLERANCES UNLESS OTHERWISE SPECIFIED:		APVD	MJ SPICER	27OCT05	
0 PLC ± - 1 PLC ± - 2 PLC ± .008 3 PLC ± - 4 PLC ± - ANGLES ± -		PRODUCT SPEC	NAME		
MATERIAL SEE TABLE		FINISH	SEE TABLE		WIRE SPLICE, BUTT, SEALED COPALUM 2/O AL - 1/O CU
WEIGHT		107 GRAMS		SIZE	A2
CUSTOMER DRAWING		SCALE		2:1	SHEET 1 of 1
		CAGE CODE		DRAWING NO	
		00779		RESTRICTED TO	
		C=696861		REV H	

X-ON Electronics

Largest Supplier of Electrical and Electronic Components

Click to view similar products for [Terminals](#) category:

Click to view products by [TE Connectivity](#) manufacturer:

Other Similar products are found below :

[HT-13-10](#) [71M-250-32-NB](#) [01-2065-1-0216](#) [00581P0075](#) [M10-10RX](#) [M10BCK](#) [60205-1](#) [604200-1](#) [60598-1-CUT-TAPE](#) [60617-1-C](#) [60873-1](#) [M14-516R/SK](#) [M14-6RSX](#) [M18-8FBX](#) [M18-8R/LX](#) [M18BCK](#) [61314-6-C](#) [61-S](#) [61-SN-A](#) [62-NBM-A](#) [63-S](#) [640179-1](#) [640917-2-CUT-TAPE](#) [6501550002](#) [66107-2-C](#) [696683-1](#) [696834-1](#) [696861-1](#) [696931-1](#) [696999-1](#) [M8-516RK](#) [M86700006](#) [MA250DMFMX-A](#) [701-2007](#) [701-2307](#) [701-7761-03](#) [70F-110-32-PB](#) [718-N-A](#) [71M-187-20-NBL](#) [71M-250-32-NBL](#) [72F-187-20-NBL](#) [72M-250-32-NBL](#) [7310](#) [73F-250-32](#) [73F-250-32-NL](#) [F14-10C](#) [F-1M](#) [751-250](#) [76650-5002](#) [76828-149](#)