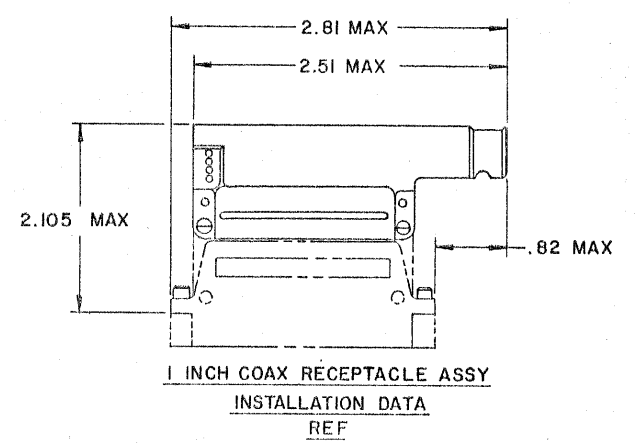
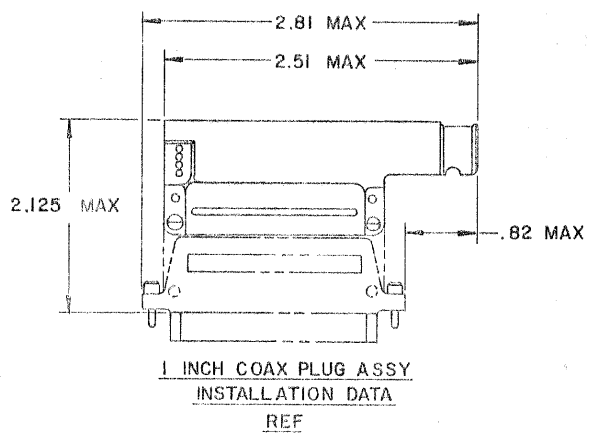
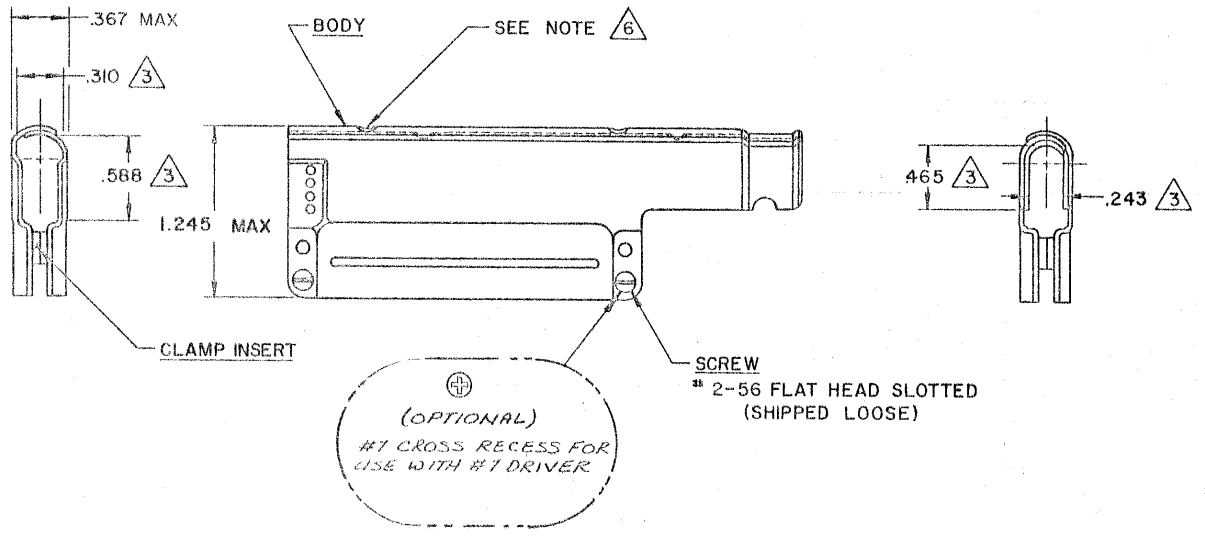


NOTES:

1. MATERIAL:
- A. BODY; PHOSPHOR BRONZE PER QQ-B-750.
  - B. SCREW; STAINLESS STEEL PER QQ-S-763, 700 SERIES.
  - C. CLAMP INSERT; FLUOROSILICONE ELASTOMER PER MIL-R-25988.
2. FINISH:
- A. BODY; TIN PLATED PER MIL-T-10727 OVER NICKEL PER MIL-C-26074.
  - B. SCREW; PASSIVATED PER QQ-P-35.
3. THESE DIMENSIONS ARE FOR MAXIMUM CABLE ACCOMMODATION.
4. *Raychem* PART NUMBER CHA-0016 IS MARKED ON BACKSHELL PACKAGE.
5. THIS BACKSHELL IS FOR USE WITH *Raychem* MTC COAX CONNECTORS. 1" COAX PLUG OR 1" COAX RECEPTACLE AS SHOWN.
6. .125 DIA. MAX. (CONSTRUCTION HOLES) TWO (2) HOLES ON EACH HALF OF PART APPROX. AS SHOWN.

REVISIONS				
ZONE	LTR	DESCRIPTION	DATE	APPROVED
	A	REVISED PER ECN F-012650	11/14/84	J3



CONNECTOR SPECIFICATION CONTROL DRAWING

UNLESS OTHERWISE SPECIFIED DIMENSIONS ARE IN INCHES BRACKETED DIMENSIONS ( ) ARE METRIC AND TOLERANCES ARE:  .XXX: ± ( ) .XX: ± ( ) .X: ± ( )	DRAWN	W.JACKSON	9-30-80	 <small>RAYCHEM CORPORATION 300 CONSTITUTION DRIVE MELBO PARK, CALIFORNIA 94025</small>
	CHECKED	J3		
	APPROVED	Plain	7-30-80	
	APPROVED			
TITLE RIGHT ANGLE BREAKOUT BACKSHELL ASSY 1 INCH MTC COAX				
SIZE		CODE IDENT	DWG. NO.	
C		NO. 08080	CHA-0016	
DO NOT SCALE THIS DRAWING			WEIGHT	SHEET 1 OF 1

## X-ON Electronics

Largest Supplier of Electrical and Electronic Components

*Click to view similar products for [TE Connectivity](#) manufacturer:*

Other Similar products are found below :

[D38999/24FJ4AN](#) [570416-000](#) [CLTEQ-M81CE-SSRELAY-4-20V](#) [4-1195131-0](#) [650069-000](#) [SMD100-2](#) [358838-000](#) [CB-1022B-78](#)  
[RM707012](#) [RP410012](#) [MMS42](#) [1-640426-8](#) [2EDL4CM](#) [DTS20W19-11PD-3028-LC](#) [RM202615](#) [NC6-P104-06](#) [MSPS103B](#) [DTS26F21-41HE-LC](#) [DTS26F21-41AE](#) [DTS26F21-41PE-LC](#) [DTS26F21-11SE-3028-LC](#) [30DCB6](#) [1932144-1](#) [293545-4](#) [LVR125S](#) [MS27466T25F4PB](#)  
[CKB-38-78010](#) [TR04AI-TINELLOCKRING](#) [1206SFF150F/63-2](#) [D38999/20JB35HA](#) [TE1500A2R2J](#) [D38999/20WC8BB](#) [DTS24F19-11SC-3028-LC](#) [D38999/24WG11HA](#) [D38999/24WG11HN](#) [MS27467T21F11H](#) [DJT16E21-11HA](#) [MS27467T21F35J](#) [MS27467T21F11J](#)  
[MS27467T21F16H-LC](#) [MS27467T21F35H](#) [MS27467T21F41H-LC](#) [1206SFH150F/24-2](#) [RP330024](#) [DJT16E21-11PA-LC](#) [DJT16E21-11HA-LC](#) [DJT16E21-11AA](#) [MS27467T21B11JA](#) [DJT16E21-11JA](#) [MS27467T21B11JA-LC](#)