

THIS DRAWING IS UNPUBLISHED. RELEASED FOR PUBLICATION  
 © COPYRIGHT - By - ALL RIGHTS RESERVED.

LOC		DIST		REVISIONS			
P	LTR	DESCRIPTION		DATE	DWN	APVD	
FT	0	B	REVISED PER ECO-15-007842	23JUN2015	NG	PS	

D

C

B

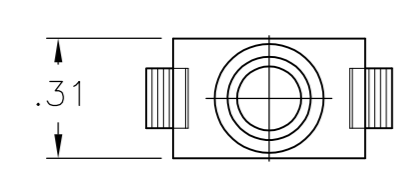
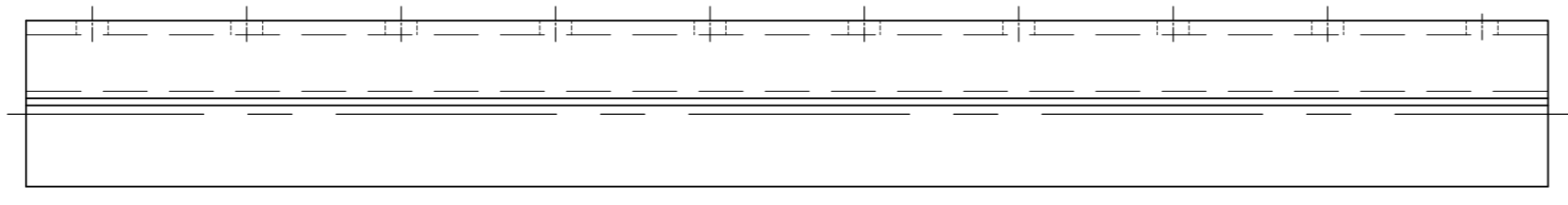
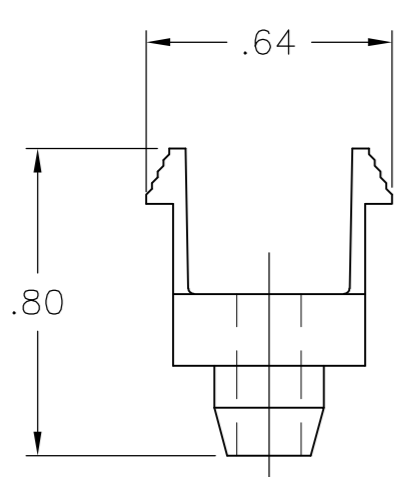
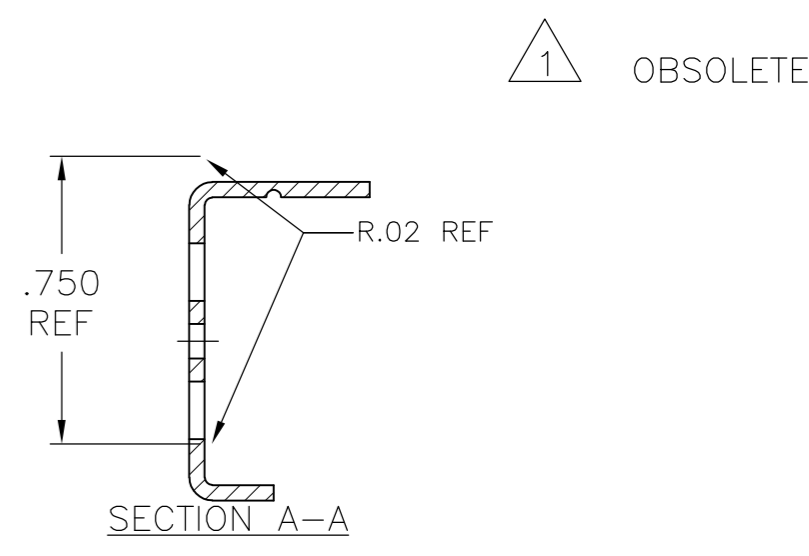
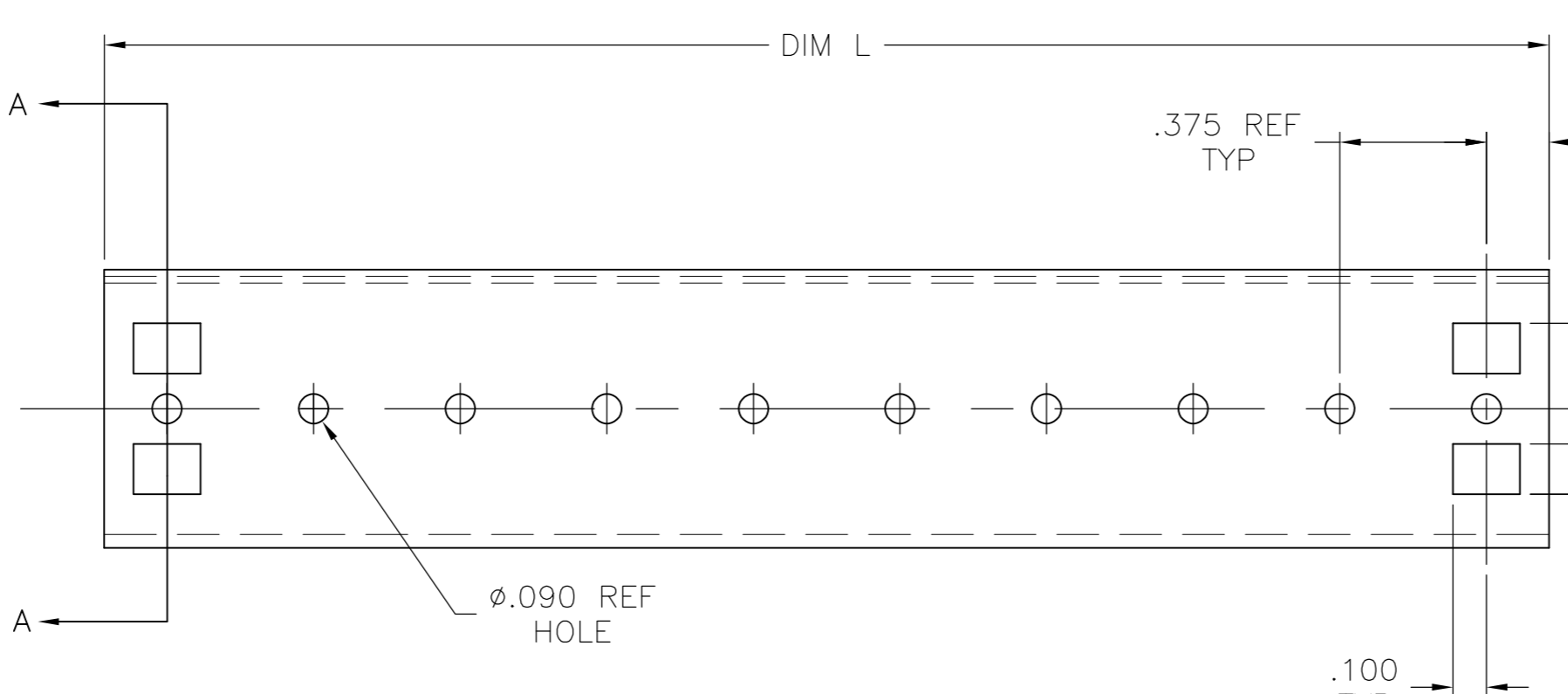
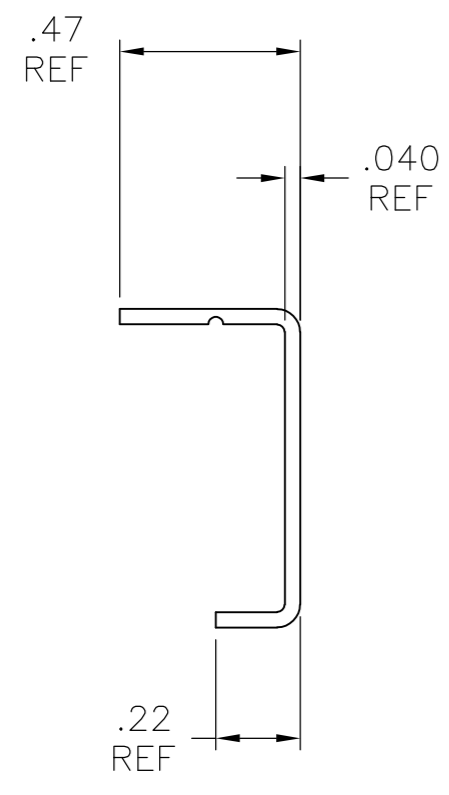
A

D

C

B

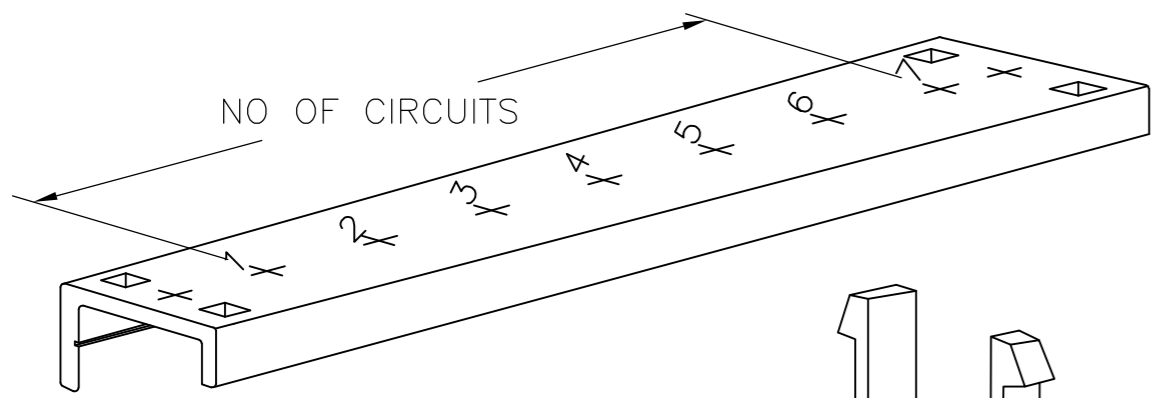
A



SAFETY COVER  
QTY 1

COVER RETAINER  
QTY 2

1	1986778-2	11.625	31	29	6C1N29	<del>2-1776437-9</del>
1	1986778-2	11.25	30	28	6C1N28	<del>2-1776437-8</del>
1	1986778-2	10.875	29	27	6C1N27	<del>2-1776437-7</del>
1	1986778-2	10.5	28	26	6C1N26	<del>2-1776437-6</del>
1	1986778-2	10.125	27	25	6C1N25	<del>2-1776437-5</del>
1	1986778-2	9.375	25	23	6C1N23	<del>2-1776437-3</del>
1	1986778-2	9	24	22	6C1N22	<del>2-1776437-2</del>
1	1986778-2	8.625	23	21	6C1N21	<del>2-1776437-1</del>
1	1986778-2	8.25	22	20	6C1N20	<del>2-1776437-0</del>
1	1986778-2	7.875	21	19	6C1N19	<del>1-1776437-9</del>
1	1986778-2	7.125	19	17	6C1N17	<del>1-1776437-7</del>
1	1986778-2	6	16	14	6C1N14	<del>1-1776437-4</del>
1	1986778-2	5.625	15	13	6C1N13	<del>1-1776437-3</del>
1	1986778-2	4.875	13	11	6C1N11	<del>1-1776437-1</del>
	1986778-2	4.125	11	9	6C1F09	7-1437418-1
	1986778-2	9.75	26	24	6C1N24	2-1437418-7
	1986778-2	7.5	20	18	6C1N18	2-1437418-6
	1986778-2	6.75	18	16	6C1N16	2-1437418-5
	1986778-2	6.575	17	15	6C1N15	2-1437418-4
	1986778-2	4.125	11	9	6C1N09	2-1437418-1
	1986778-2	3.75	10	8	6C1N08	2-1437418-0
	1986778-2	3	8	6	6C1N06	1-1437418-8
	1986778-2	2.25	6	4	6C1N04	1-1437418-6
	1986778-2	1.875	5	3	6C1N03	1-1437418-5
	1986778-2	10.5	28	26	6C1F26	1-1437418-3
1	1986778-2	2.625	7	5	6C1F05	<del>1-1437418-9</del>
	COVER RETAINER QTY=2	DIM L ± 0.040	TOTAL NUMBER OF HOLES	TOTAL NUMBER OF CIRCUITS	CATALOG NUMBER	PART NUMBER



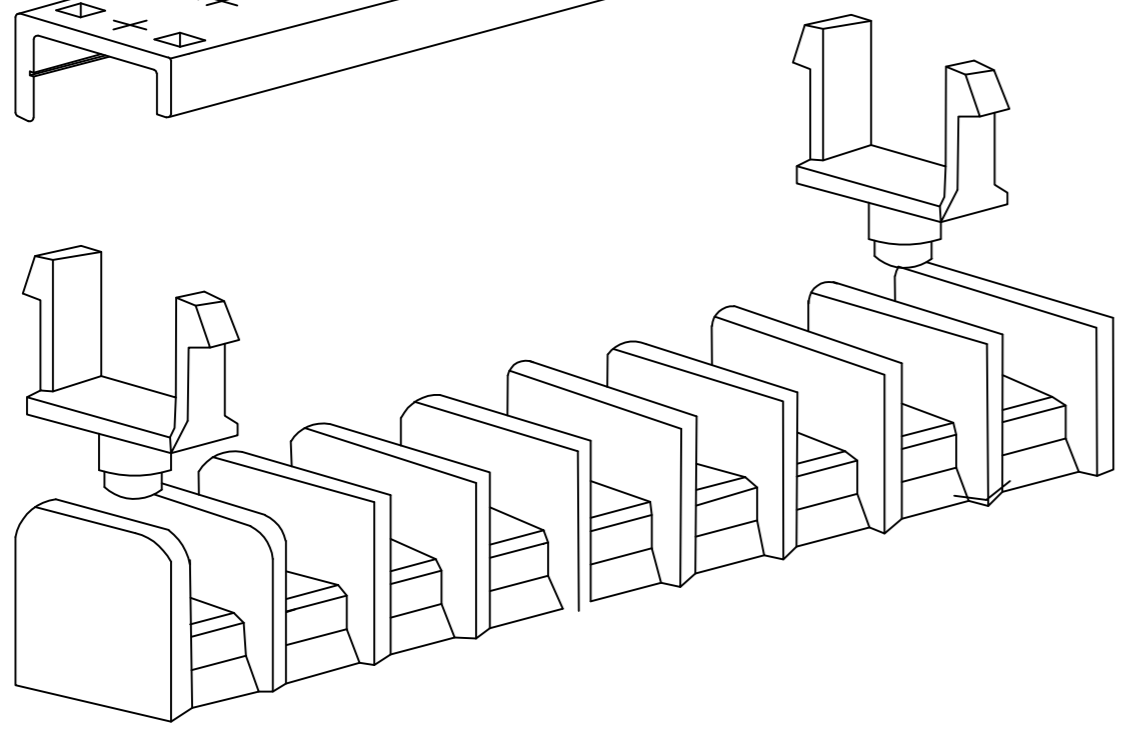
6  
6=.375 C/L SPACING

C  
COVER MATERIAL YELLOW PVC

1  
CLOSED BACK

\*  
N=NO MARKING  
F=FORWARD SEQUENCE

\*  
NUMBER OF CIRCUITS



THIS DRAWING IS A CONTROLLED DOCUMENT.

DIMENSIONS: INCHES	TOLERANCES UNLESS OTHERWISE SPECIFIED:	DWN S SCHLEGEL 9/29/06	TE Connectivity
		CHK S YODER 9/29/06	
		APVD S YODER 9/29/06	6C1F03=SSB 3/8 SAFE CVR 3CKT
		PRODUCT SPEC	
		APPLICATION SPEC	RESTRICTED TO
MATERIAL	FINISH	WEIGHT	SIZE CAGE CODE DRAWING NO
			A2 00779 C=1437418-7
		CUSTOMER DRAWING	SCALE 2:1 SHEET 1 of 1 REV B

## X-ON Electronics

Largest Supplier of Electrical and Electronic Components

*Click to view similar products for [Barrier Terminal Blocks](#) category:*

*Click to view products by [TE Connectivity](#) manufacturer:*

Other Similar products are found below :

[CR151D20104](#) [670A-RZ-15-KT20](#) [6C1N03](#) [6PCR-02](#) [6PCR-02-008](#) [6PCR-05-008](#) [6PCR-08-008](#) [6PCR-09-008](#) [6PCR-13-006](#) [6PCR-15-006](#) [6PCR-21-006](#) [6PCV-06-008](#) [6PCV-06-716](#) [6PCV-09-001](#) [6PCV-10-009](#) [6PCV-15-008](#) [6PCV-17-1206](#) [6PCV-20-323](#) [6PCV-30-006](#) [6STR-06-006](#) [6STR-08-006](#) [6STR-12-008](#) [6STR-13-006](#) [6STR-14-008](#) [6STR-16-008](#) [6STR-17-008](#) [6STR-21-008](#) [6STR-25-008](#) [6STR-27-008](#) [6STV-03-006](#) [6STV-03-008](#) [6STV-04-006](#) [6STV-09-006](#) [6STV-10-006](#) [6WWR-03-693](#) [6WWV-12-008](#) [6WWV-16-008](#) [72212603](#) [72504-C-50](#) [72506-C](#) [72507-C-50](#) [73203](#) [75505-C](#) [75505-C-50](#) [75510-C](#) [77010-50](#) [7C1N08](#) [812-GP-3/4ST-09](#) [8-1437402-5](#) [8-1437402-7](#)