

DESCRIPTION	APPROVED BY/DATE	REV
	C. Westby 11-20-91	1
ECO-09-026495	AEG 11DEC09	B1

SAFETY ORGANIZATION(S)

THIS FILTER HAS BEEN FORMALLY RECOGNIZED, CERTIFIED OR APPROVED BY THE LISTED AGENCY. THEREFORE, ALL TEST/REQUIREMENTS SPECIFIED IN THE LATEST REVISION OF THE FOLLOWING AGENCY STANDARDS HAVE BEEN MET:

UL RECOGNIZED  
CSA CERTIFIED  
VDE APPROVED

UL 544  
CSA 22.2, NO.0,0.4,8  
VDE 0565-3, 0625

OPERATING SPECIFICATIONS:

LINE VOLTAGE/CURRENT, 6 AMP., 120/250 VAC  
6 AMP./40°C, 250 VAC  
LINE FREQUENCY, 50-60Hz  
MAX. CASE RISE @ RATED CURRENT, 30°C  
MAX. LEAKAGE CURRENT, EACH 2µA at 120V 60 Hz  
LINE TO GROUND 5µA at 250V 50 Hz  
OPERATING AMBIENT TEMP. RANGE, -10°C TO +40°C @ RATED CURRENT, I<sub>r</sub>

IN AN AMBIENT, T<sub>a</sub>, HIGHER THAN 40°C, THE MAXIMUM OPERATING CURRENT, I<sub>o</sub>, IS AS FOLLOWS:

$$I_o = I_r \sqrt{\frac{85 - T_a}{45}}$$

RELIABILITY SPECIFICATIONS:

STORAGE TEMPERATURE: -40°C TO +85°C  
HUMIDITY: 21 DAYS @ 40°C 95% RH  
CURRENT OVERLOAD TEST: 6 TIMES RATED CURRENT FOR 8 SECONDS

TEST SPECIFICATIONS:

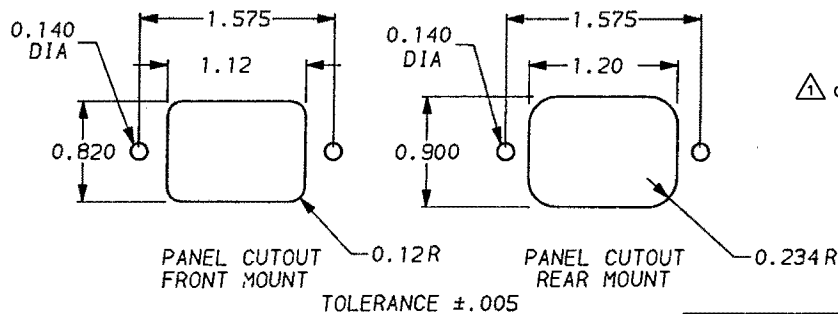
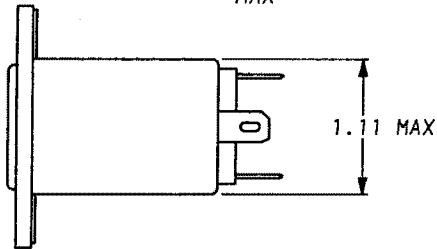
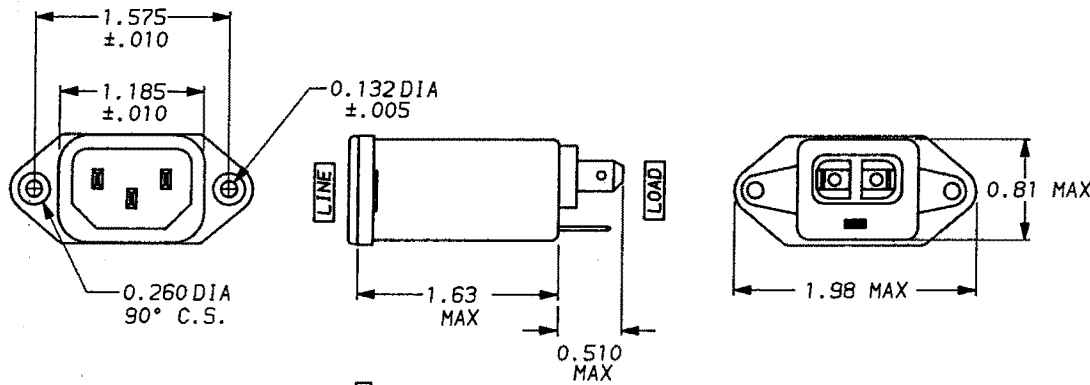
INDUCTANCE: .465 mH NOMINAL  
CAPACITANCE: (MEASURED @ 1 KHz, 0.25 VAC MAX., 25°C ±1°C)  
LINE TO GROUND: ZERO  
LINE TO LINE: .047µF ±20%  
DISCHARGE RESISTOR: 1.5 MΩ  
LINE/GROUND AND LINE/LINE: 6000 MΩ (MIN) AT 100 VDC  
INSULATION RESISTANCE (W/O DISCHARGE RESISTOR) 20°C AND 50% RH

RECOMMENDED RECEIVING INSPECTION HIPOT:

LINES TO GROUND: 1500 VAC FOR 1 MINUTE  
LINE TO LINE: 1450 VDC FOR 1 MINUTE

FILTER APPROVAL:

THE BEST WAY TO SELECT AND QUALIFY A FILTER IS FOR YOUR ENGINEERING TO TEST THE UNIT IN YOUR EQUIPMENT.



⚠ OBSOLETE PARTS: OBSOLETE CIS STREAMLINING PER D.RENAUD/D.SINISI

⚠ OBSOLETE 6609003-3  
4609003-3



FREQUENCY MHz	50n - 50p (MINIMUM) INSERTION LOSS									
	.10	.15	.50	1	5	10	30			
COMMON dB	5	8	17	20	24	23	18			
DIFF. dB	-	1	10	18	30	31	31			

TOLERANCE EXCEPT AS NOTED  
DECIMAL: .XXX .XX .X ANGLES ± 1°  
ENGLISH: ±.025  
METRIC: ±  
MATERIAL:  
AS SUPPLIED



POWER LINE FILTER

This document is proprietary to CORCOM INC. and is not to be reproduced nor used for manufacturing purposes except on CORCOM's order or prior written consent.

FINISH:  
AS SUPPLIED

SCALE	DATE	DRG. NO.	REV.
NTS	9-19-91	6EBH1	B1
DRW. BY	ORIGINATOR		
CFW	CFW		

\*RESISTOR ADDED TO PRODUCT BUILT AFTER 3-30-92 (9212).

## X-ON Electronics

Largest Supplier of Electrical and Electronic Components

*Click to view similar products for [AC Power Entry Modules](#) category:*

*Click to view products by [TE Connectivity](#) manufacturer:*

Other Similar products are found below :

[0098.0050](#) [6167.0002](#) [6609100-2](#) [7-6609955-2](#) [FKI2-50-6/M5](#) [FN361-6-06](#) [FN389-4-22](#) [FN9226B-6-02](#) [FN9233S1-10-06](#) [FN9233S1-8-06](#)  
[FN9233S1B-8-06](#) [FN9233S1R-1-06](#) [FN9233S1R-12-06](#) [FN9233SB-1-06](#) [FN9233SB-12-06](#) [FN9233SB-8-06](#) [FN9233SR-10-06](#) [FN9244B-15-06HI](#) [FN9244EB-3-06](#) [FN9244EB-8-06](#) [FN9244ER-15-06](#) [FN9244ER-8-06](#) [FN9244ES1-8-06](#) [FN9244ESB-8-06](#) [FN9244R-12-06](#)  
[FN9244S1-12-06](#) [FN9244S1R-3-06](#) [FN9244SB-8-06](#) [FN9244SR-6-06](#) [FN9244U-3-06](#) [FN9244U-8-06](#) [8-6609940-2](#) [PE00SSSXB](#) [Fuse-H-EUR-1](#) [Fuse-H-USA-1](#) [PM00XD000](#) [A-0701-HT-H](#) [15EJMS8](#) [1-6609941-2](#) [200JM6-2](#) [CA121003-6](#) [SK-1015\(F1-5\)](#) [161-R3015-E](#) [1-6609153-2](#) [FN323-1-05](#) [FN9233B-8-06](#) [FN9233EB-1-06](#) [FN9233ES1R-10-06](#) [FN9233R-12-06](#) [FN9233S-10-06](#)