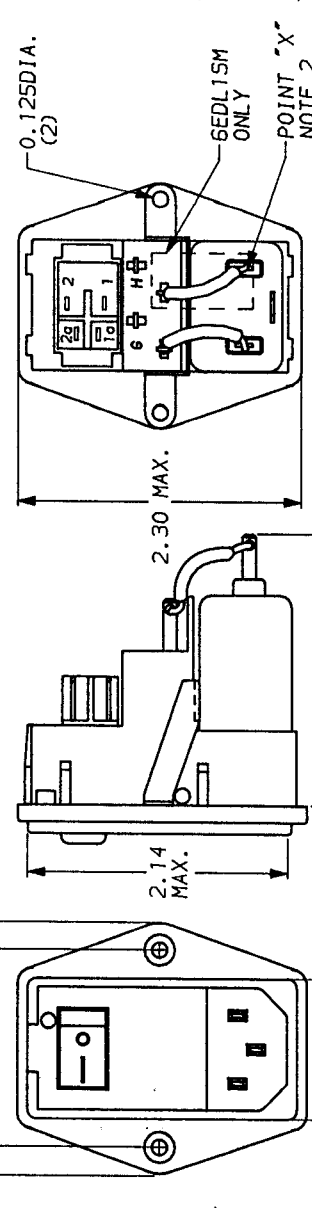
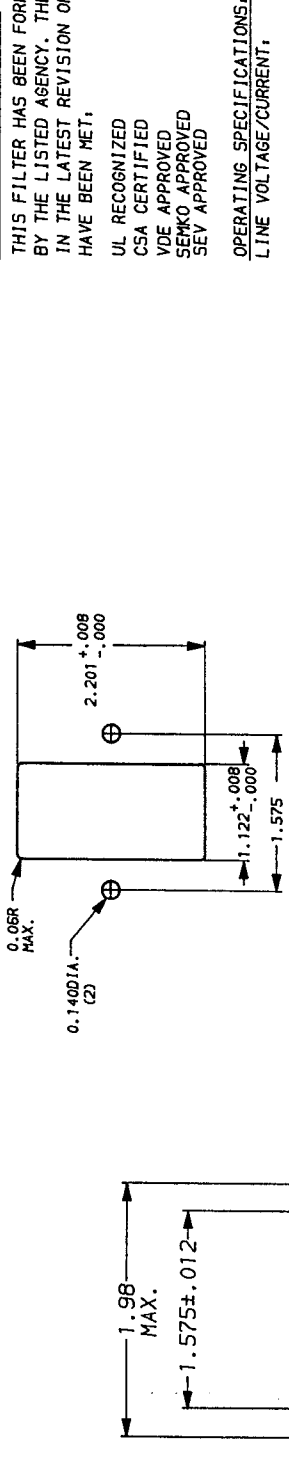
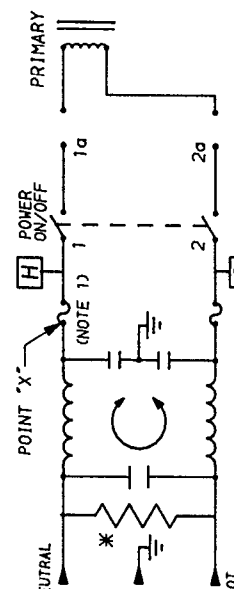


APPROVED BY: *C. Westenberg* DATE: 4-30-72  
 REV: 5

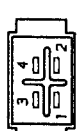
**RECOMMENDED PANEL CUTOUT**  
 (NOT TO SCALE)



NOTE: ALL BACKPLATE TERMINALS ARE .110 FASTONS EXCEPT SWITCH TERMINALS WHICH ARE .187 FASTONS.



NOTE:  
 1.) PROVISION FOR DUAL EUROPEAN STYLE FUSING.  
 2.) 6EDL15 JUMPER FROM POINT X TO 1 AND FROM G TO 2. 6EDL15 JUMPER FROM H TO 1 AND FROM G TO 2.



ALTERNATE SWITCH

**SAFETY ORGANIZATION(S).**

THIS FILTER HAS BEEN FORMALLY RECOGNIZED, CERTIFIED OR APPROVED BY THE LISTED AGENCY. THEREFORE, ALL TEST/REQUIREMENTS SPECIFIED IN THE LATEST REVISION OF THE FOLLOWING AGENCY STANDARDS HAVE BEEN MET.

- UL RECOGNIZED
- CSA CERTIFIED
- VDE APPROVED
- SEMKO APPROVED
- SEV APPROVED

**OPERATING SPECIFICATIONS.**

LINE VOLTAGE/CURRENT:  
 6 AMP., 120/250 VAC  
 6 AMP./40°C, 250 VAC  
 50-60HZ  
 .25mA @ 120V 60HZ  
 .40mA @ 250V 50HZ

LINE FREQUENCY:  
 MAX. LEAKAGE CURRENT, EACH  
 LINE TO GROUND  
 OPERATING AMBIENT TEMP. RANGE:  
 -10°C TO +40°C @ RATED CURRENT, I<sub>r</sub>

IN AN AMBIENT, T<sub>a</sub>, HIGHER THAN 40°C, THE MAXIMUM OPERATING CURRENT, I<sub>o</sub>, IS AS FOLLOWS:  

$$I_o = I_r \sqrt{\frac{85 - T_a}{45}}$$

RELIABILITY SPECIFICATIONS:  
 STORAGE TEMPERATURE:  
 -25°C TO +85°C  
 HUMIDITY:  
 21 DAYS @ 40°C 95% RH  
 6 TIMES RATED CURRENT FOR 8 SECONDS

CURRENT OVERLOAD TEST:  
 TEST SPECIFICATIONS:  
 INDUCTANCE:  
 .27mH NOMINAL

CAPACITANCE: (MEASURED @ 1 KHz, 0.25 VAC MAX., 25°C ±1°C)  
 LINE TO GROUND:  
 .0028µF ±20%  
 LINE TO LINE:  
 .047µF ±20%

DISCHARGE RESISTOR:  
 1.5 MΩ  
 LINE/GROUND AND LINE/LINE  
 INSULATION RESISTANCE  
 (W/O DISCHARGE RESISTOR)  
 6000 MΩ (MIN) AT 100 VDC  
 20°C AND 50% RH

RECOMMENDED RECEIVING INSPECTION HIPOT.  
 LINES TO GROUND:  
 2250 VDC FOR 1 MINUTE  
 LINE TO LINE:  
 1450 VDC FOR 1 MINUTE

FILTER APPROVAL:  
 THE BEST WAY TO SELECT AND QUALIFY A FILTER IS FOR YOUR ENGINEERING TO TEST THE UNIT IN YOUR EQUIPMENT.

TOLERANCE EXCEPT AS NOTED  
 DECIMAL: .XXX .XX .X ANGLES  
 ENGLISH: ±.025 ±1°  
 METRIC: ±

MATERIAL: AS SUPPLIED

50n - 50n (MINIMUM) INSERTION LOSS	
FREQUENCY KHZ	0.05 0.15 0.50 1.0 3.0 5.0 10 30
COMMON dB	1 6 13 17 26 31 37 45
DIFF. dB	— 6 15 20 25 25 45 50

This document is proprietary to CORCOM INC. and is not to be reproduced nor used for manufacturing purposes except on CORCOM's order or prior written consent.



POWER LINE FILTER

SCALE	DATE	DRG. NO.	REV.
NTS	3-4-87	6EDL15 & 6EDL18M	5
DRW. BY	LJD	CFW	

\*RESISTOR ADDED TO PRODUCT BUILT AFTER 3-30-92 (9212).

## X-ON Electronics

Largest Supplier of Electrical and Electronic Components

*Click to view similar products for [AC Power Entry Modules](#) category:*

*Click to view products by [TE Connectivity](#) manufacturer:*

Other Similar products are found below :

[0098.0050](#) [6167.0002](#) [6609100-2](#) [7-6609955-2](#) [FKI2-50-6/M5](#) [FN361-6-06](#) [FN389-4-22](#) [FN9226B-6-02](#) [FN9233S1-10-06](#) [FN9233S1-8-06](#)  
[FN9233S1B-8-06](#) [FN9233S1R-1-06](#) [FN9233S1R-12-06](#) [FN9233SB-1-06](#) [FN9233SB-12-06](#) [FN9233SB-8-06](#) [FN9233SR-10-06](#) [FN9244B-15-06HI](#) [FN9244EB-3-06](#) [FN9244EB-8-06](#) [FN9244ER-15-06](#) [FN9244ER-8-06](#) [FN9244ES1-8-06](#) [FN9244ESB-8-06](#) [FN9244R-12-06](#)  
[FN9244S1-12-06](#) [FN9244S1R-3-06](#) [FN9244SB-8-06](#) [FN9244SR-6-06](#) [FN9244U-3-06](#) [FN9244U-8-06](#) [8-6609940-2](#) [PE00SSSXB](#) [Fuse-H-EUR-1](#) [Fuse-H-USA-1](#) [PM00XD000](#) [A-0701-HT-H](#) [15EJMS8](#) [1-6609941-2](#) [200JM6-2](#) [CA121003-6](#) [SK-1015\(F1-5\)](#) [161-R3015-E](#) [1-6609153-2](#) [FN323-1-05](#) [FN9233B-8-06](#) [FN9233EB-1-06](#) [FN9233ES1R-10-06](#) [FN9233R-12-06](#) [FN9233S-10-06](#)