

**SAFETY ORGANIZATION(S):**

THIS FILTER HAS BEEN FORMALLY RECOGNIZED, CERTIFIED OR APPROVED BY THE LISTED AGENCY. THEREFORE, ALL TEST/REQUIREMENTS SPECIFIED IN THE LATEST REVISION OF THE FOLLOWING AGENCY STANDARDS HAVE BEEN MET.

- UL 1283
- CSA 22.2, NO. 0, 0, 4, 8
- VDE 565-3, 625D
- SEN 432901
- SEV 1055/TP1977/5.1.1

**OPERATING SPECIFICATIONS:**

- LINE VOLTAGE/CURRENT: 6 AMP., 120/250 VAC
- 50-60HZ
- LINE FREQUENCY: 50-60HZ
- MAX. LEAKAGE CURRENT, EACH LINE TO GROUND: .25mA @ 120V 60HZ
- .40mA @ 250V 50HZ
- OPERATING AMBIENT TEMP. RANGE: -10°C TO +40°C @ RATED CURRENT, I<sub>r</sub>

IN AN AMBIENT, T<sub>a</sub>, HIGHER THAN 40°C, THE MAXIMUM OPERATING CURRENT, I<sub>o</sub>, IS AS FOLLOWS:

$$I_o = I_r \sqrt{\frac{85 - T_a}{45}}$$

**RELIABILITY SPECIFICATIONS:**

- STORAGE TEMPERATURE: -25°C TO +85°C
- HUMIDITY: 21 DAYS @ 40°C 95% RH
- CURRENT OVERLOAD TEST: 6 TIMES RATED CURRENT FOR 8 SECONDS

**TEST SPECIFICATIONS:**

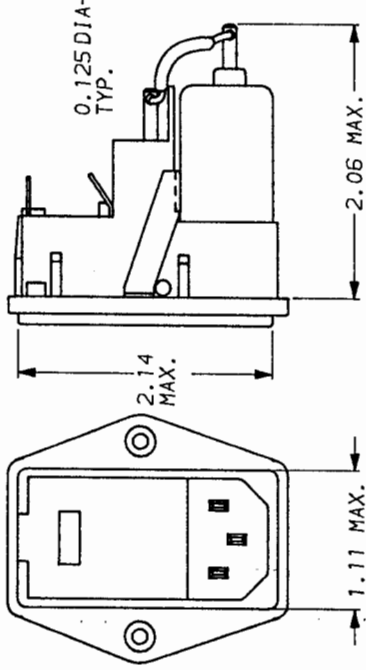
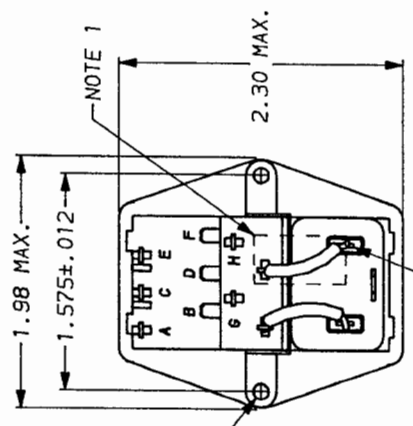
- INDUCTANCE: .27mH NOMINAL
- CAPACITANCE, (MEASURED @ 1 KHz, 0.25 VAC MAX., 25°C ±1°C): .0028µF ±20%
- LINE TO GROUND: .0028µF ±20%
- LINE TO LINE: .047µF ±20%
- DISCHARGE RESISTOR: 1.5 MΩ
- LINE/GROUND AND LINE/LINE INSULATION RESISTANCE (V/O DISCHARGE RESISTOR): 6000 MΩ (MIN) AT 100 VDC
- 20°C AND 50% RH

**RECOMMENDED RECEIVING INSPECTION HIPOT:**

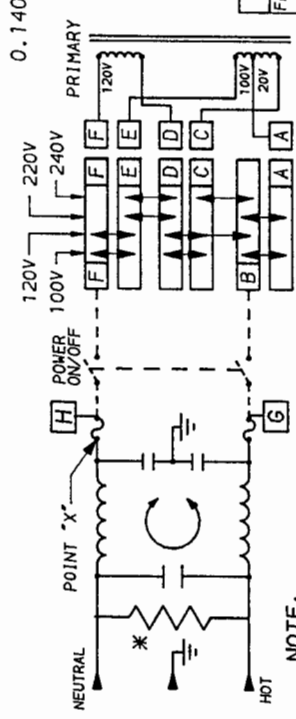
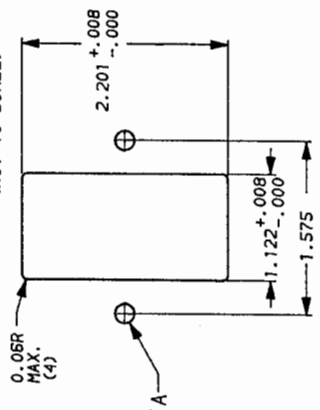
- 2250 VDC FOR 1 MINUTE
- 1450 VDC FOR 1 MINUTE

**FILTER APPROVAL:**

THE BEST WAY TO SELECT AND QUALIFY A FILTER IS FOR YOUR ENGINEERING TO TEST THE UNIT IN YOUR EQUIPMENT.



**RECOMMENDED PANEL CUTOUT**  
(NOT TO SCALE)



**NOTE:**

- 1.) PROVISION FOR DUAL EUROPEAN STYLE FUSING 6EDL4M ONLY.
- 2.) 6EDL4 CONNECT JUMPER OR SWITCH FROM POINT X TO F AND FROM G TO B.

\*RESISTOR ADDED TO PRODUCT BUILT AFTER 3-30-92 (9212).

50Ω - 50Ω (MINIMUM) INSERTION LOSS		TOLERANCE EXCEPT AS NOTED	
FREQUENCY MHz	.05, .15, .50, 1.0, 3.0, 5.0, 10, 30	DECIMAL, .XXX	.XX .X ANGLES ± 1°
COMMON dB	1, 6, 13, 17, 26, 31, 37, 45	ENGLISH, ±.025	METRIC, ±
DIFF. dB	—, 6, 15, 20, 25, 25, 45, 50	MATERIAL: AS SUPPLIED	

This document is proprietary to CORCOM INC. and is not to be reproduced nor used for manufacturing purposes except on CORCOM's order or prior written consent.

**corcom**  
LIBERTYVILLE, IL 60048

**POWER LINE FILTER**

SCALE: DATE: 3-12-87 DRG. NO. NTS  
BY: LJD ORIGINATOR: CFW  
REV. 5

## X-ON Electronics

Largest Supplier of Electrical and Electronic Components

*Click to view similar products for [AC Power Entry Modules](#) category:*

*Click to view products by [TE Connectivity](#) manufacturer:*

Other Similar products are found below :

[0098.0050](#) [6167.0002](#) [6609100-2](#) [7-6609955-2](#) [FKI2-50-6/M5](#) [FN361-6-06](#) [FN389-4-22](#) [FN9226B-6-02](#) [FN9233S1-10-06](#) [FN9233S1-8-06](#)  
[FN9233S1B-8-06](#) [FN9233S1R-1-06](#) [FN9233S1R-12-06](#) [FN9233SB-1-06](#) [FN9233SB-12-06](#) [FN9233SB-8-06](#) [FN9233SR-10-06](#) [FN9244B-15-06HI](#) [FN9244EB-3-06](#) [FN9244EB-8-06](#) [FN9244ER-15-06](#) [FN9244ER-8-06](#) [FN9244ES1-8-06](#) [FN9244ESB-8-06](#) [FN9244R-12-06](#)  
[FN9244S1-12-06](#) [FN9244S1R-3-06](#) [FN9244SB-8-06](#) [FN9244SR-6-06](#) [FN9244U-3-06](#) [FN9244U-8-06](#) [8-6609940-2](#) [PE00SSSXB](#) [Fuse-H-EUR-1](#) [Fuse-H-USA-1](#) [PM00XD000](#) [A-0701-HT-H](#) [15EJMS8](#) [1-6609941-2](#) [200JM6-2](#) [CA121003-6](#) [SK-1015\(F1-5\)](#) [161-R3015-E](#) [1-6609153-2](#) [FN323-1-05](#) [FN9233B-8-06](#) [FN9233EB-1-06](#) [FN9233ES1R-10-06](#) [FN9233R-12-06](#) [FN9233S-10-06](#)