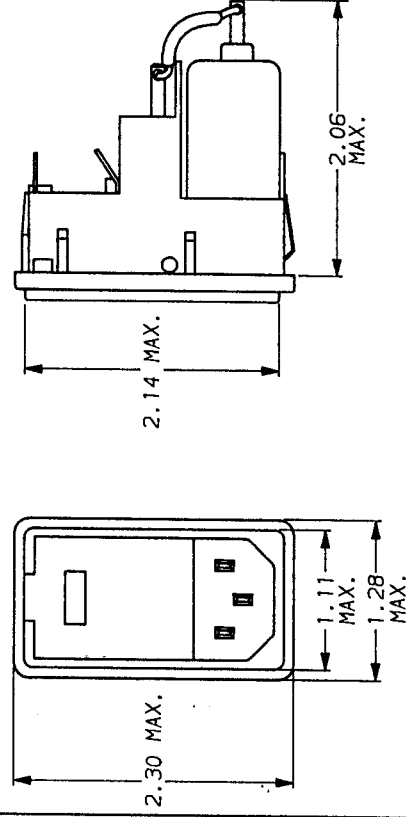
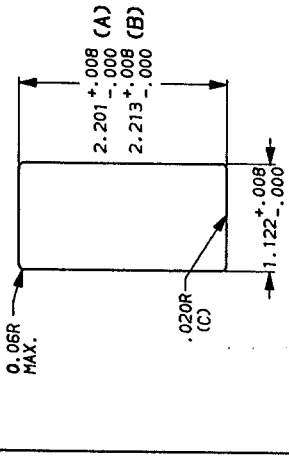
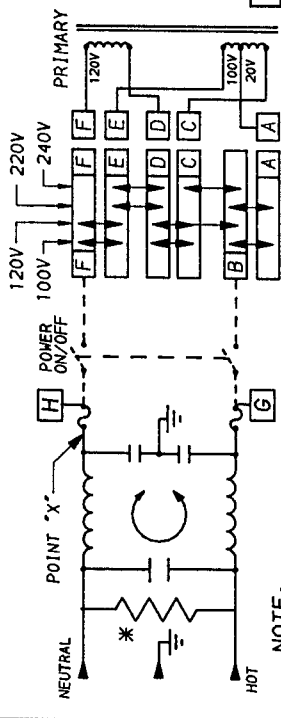
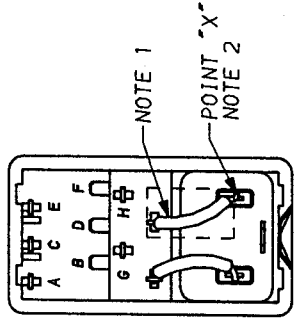


**RECOMMENDED PANEL CUTOUT**  
(NOT TO SCALE)

NOTES:  
 (A) FOR PANEL TH'K. OF .031 - .075  
 (B) FOR PANEL TH'K. OF .083 - .126  
 (C) FOR SNAP-IN APPLICATION. THE SIDES OF THE CUTOUT MUST HAVE A .020R. ON THE INSTALLATION SIDE.



NOTE: ALL BACKPLATE TERMINALS ARE .110 FASTONS.



NOTE:  
 1.) PROVISION FOR DUAL EUROPEAN STYLE FUSING 6EDL4CM ONLY.  
 2.) 6EDL4C CONNECT JUMPER OR SWITCH FROM POINT X TO F AND FROM G TO B.

SAFETY ORGANIZATION(S).  
 THIS FILTER HAS BEEN FORMALLY RECOGNIZED, CERTIFIED OR APPROVED BY THE LISTED AGENCY. THEREFORE, ALL TEST/REQUIREMENTS SPECIFIED IN THE LATEST REVISION OF THE FOLLOWING AGENCY STANDARDS HAVE BEEN MET.

- UL RECOGNIZED
- UL 1283
- CSA 22.2, NO.0,0,4,8
- VDE 565-3, 625
- SEN 432901
- SEV 1055/TP1977/5.1.1

OPERATING SPECIFICATIONS:  
 LINE VOLTAGE/CURRENT:  
 6 AMP., 120/250 VAC  
 6 AMP./40°C, 250 VAC  
 50-60Hz  
 LINE FREQUENCY,  
 MAX. LEAKAGE CURRENT, EACH  
 .25mA @ 120V 60Hz  
 .40mA @ 250V 50Hz  
 LINE TO GROUND  
 OPERATING AMBIENT TEMP. RANGE:  
 -10°C TO +40°C @ RATED CURRENT, I<sub>F</sub>

$$I_0 = I_F \sqrt{\frac{BS-T_0}{45}}$$

IN AN AMBIENT, T<sub>0</sub>, HIGHER THAN 40°C, THE MAXIMUM OPERATING CURRENT, I<sub>0</sub>, IS AS FOLLOWS:

RELIABILITY SPECIFICATIONS:  
 STORAGE TEMPERATURE,  
 -25°C TO +40°C  
 HUMIDITY,  
 21 DAYS @ 40°C 95% RH  
 CURRENT OVERLOAD TEST:  
 6 TIMES RATED CURRENT FOR 8 SECONDS

**TEST SPECIFICATIONS:**

- INDUCTANCE, .27mH NOMINAL
- CAPACITANCE, (MEASURED @ 1 KHz, 0.25 VAC MAX., 25°C ±1°C)
- LINE TO GROUND, .0028µF ±20%
- LINE TO LINE, .047µF ±20%
- DISCHARGE RESISTOR, 1.5 MΩ
- LINE/GROUND AND LINE/LINE, 6000 MΩ (MIN) AT 100 VDC
- INSULATION RESISTANCE, 20°C AND 50% RH (1/0 DISCHARGE RESISTOR)

**RECOMMENDED RECEIVING INSPECTION HIPOT.**

- 2250 VDC FOR 1 MINUTE
- 1450 VDC FOR 1 MINUTE

THE BEST WAY TO SELECT AND QUALIFY A FILTER IS FOR YOUR ENGINEERING TO TEST THE UNIT IN YOUR EQUIPMENT.

TOLERANCE EXCEPT AS NOTED

DECIMAL: .XX .XX .X ANGLES  
 ENGLISH: ±.025 ± 1°  
 METRIC: ±

MATERIAL: AS SUPPLIED



LIBERTYVILLE, IL 60048

POWER LINE FILTER

50n - 50n		MINIMUM		INSERTION LOSS	
FREQUENCY	PHZ	10	30	50	100
.05	15	1.0	3.0	5.0	10
COMMON	dB	1	6	13	17
DIFF.	dB	6	15	20	25
		25	37	45	50

This document is proprietary to CORCOM INC. and is not to be reproduced nor used for manufacturing purposes except on CORCOM's order or prior written consent.

FINISH:

SCALE	DATE	DRG. NO.	REV.
NTS	2-9-87	6EDL4C & 6EDL4CM	5
DRW. BY	LJD	CFW	

\*RESISTOR ADDED TO PRODUCT BUILT AFTER 3-30-92 (9212).

## X-ON Electronics

Largest Supplier of Electrical and Electronic Components

*Click to view similar products for [AC Power Entry Modules](#) category:*

*Click to view products by [TE Connectivity](#) manufacturer:*

Other Similar products are found below :

[0098.0050](#) [6167.0002](#) [6609100-2](#) [7-6609955-2](#) [FKI2-50-6/M5](#) [FN361-6-06](#) [FN389-4-22](#) [FN9226B-6-02](#) [FN9233S1-10-06](#) [FN9233S1-8-06](#)  
[FN9233S1B-8-06](#) [FN9233S1R-1-06](#) [FN9233S1R-12-06](#) [FN9233SB-1-06](#) [FN9233SB-12-06](#) [FN9233SB-8-06](#) [FN9233SR-10-06](#) [FN9244B-15-06HI](#) [FN9244EB-3-06](#) [FN9244EB-8-06](#) [FN9244ER-15-06](#) [FN9244ER-8-06](#) [FN9244ES1-8-06](#) [FN9244ESB-8-06](#) [FN9244R-12-06](#)  
[FN9244S1-12-06](#) [FN9244S1R-3-06](#) [FN9244SB-8-06](#) [FN9244SR-6-06](#) [FN9244U-3-06](#) [FN9244U-8-06](#) [8-6609940-2](#) [PE00SSSXB](#) [Fuse-H-EUR-1](#) [Fuse-H-USA-1](#) [PM00XD000](#) [A-0701-HT-H](#) [15EJMS8](#) [1-6609941-2](#) [200JM6-2](#) [CA121003-6](#) [SK-1015\(F1-5\)](#) [161-R3015-E](#) [1-6609153-2](#) [FN323-1-05](#) [FN9233B-8-06](#) [FN9233EB-1-06](#) [FN9233ES1R-10-06](#) [FN9233R-12-06](#) [FN9233S-10-06](#)