

SAFETY ORGANIZATION(S):

THIS FILTER HAS BEEN FORMALLY RECOGNIZED, CERTIFIED OR APPROVED BY THE LISTED AGENCY. THEREFORE, ALL TEST/REQUIREMENTS SPECIFIED IN THE LATEST REVISION OF THE FOLLOWING AGENCY STANDARDS HAVE BEEN MET.

- UL 1283
- CSA 22.2, NO. 0, 0, 4, 8
- VDE 565-3, 625D
- SEN 432901
- SEV 1055/TP1977/5.1.1

OPERATING SPECIFICATIONS:

- LINE VOLTAGE/CURRENT: 6 AMP., 120/250 VAC
- 50-60HZ
- LINE FREQUENCY: 50-60HZ
- MAX. LEAKAGE CURRENT, EACH LINE TO GROUND: .25mA @ 120V 60HZ
- .40mA @ 250V 50HZ
- OPERATING AMBIENT TEMP. RANGE: -10°C TO +40°C @ RATED CURRENT, I_r

IN AN AMBIENT, T_a, HIGHER THAN 40°C, THE MAXIMUM OPERATING CURRENT, I_o, IS AS FOLLOWS:

$$I_o = I_r \sqrt{\frac{85 - T_a}{45}}$$

RELIABILITY SPECIFICATIONS:

- STORAGE TEMPERATURE: -25°C TO +85°C
- HUMIDITY: 21 DAYS @ 40°C 95% RH
- CURRENT OVERLOAD TEST: 6 TIMES RATED CURRENT FOR 8 SECONDS

TEST SPECIFICATIONS:

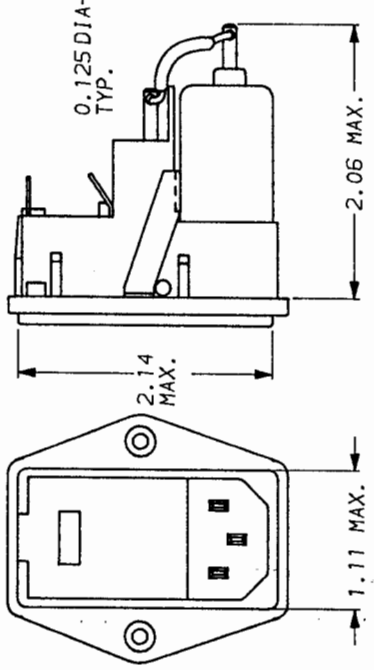
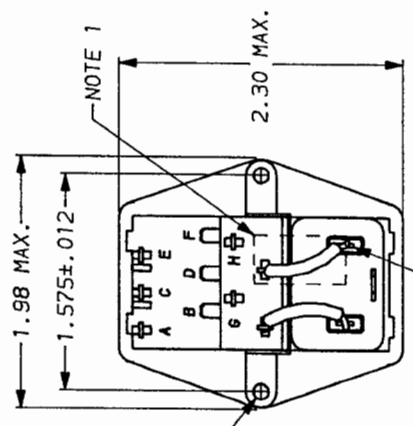
- INDUCTANCE: .27mH NOMINAL
- CAPACITANCE, (MEASURED @ 1 KHz, 0.25 VAC MAX., 25°C ±1°C): .0028µF ±20%
- LINE TO GROUND: .0028µF ±20%
- LINE TO LINE: .047µF ±20%
- DISCHARGE RESISTOR: 1.5 MΩ
- LINE/GROUND AND LINE/LINE INSULATION RESISTANCE (V/O DISCHARGE RESISTOR): 6000 MΩ (MIN) AT 100 VDC
- 20°C AND 50% RH

RECOMMENDED RECEIVING INSPECTION HIPOT:

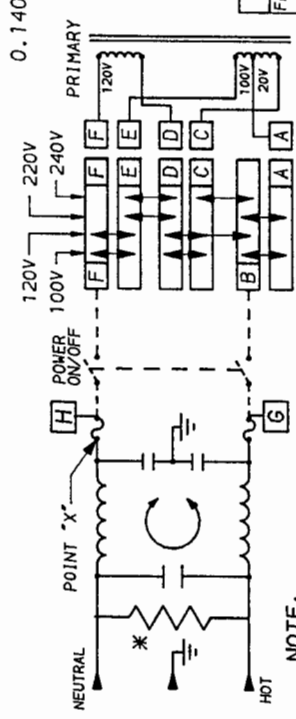
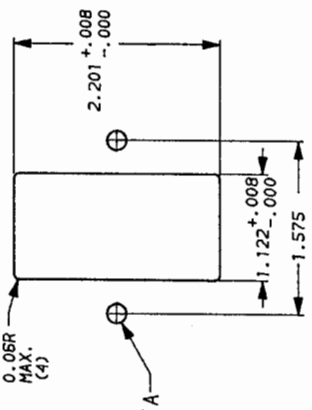
- LINES TO GROUND: 2250 VDC FOR 1 MINUTE
- LINE TO LINE: 1450 VDC FOR 1 MINUTE

FILTER APPROVAL:

THE BEST WAY TO SELECT AND QUALIFY A FILTER IS FOR YOUR ENGINEERING TO TEST THE UNIT IN YOUR EQUIPMENT.



RECOMMENDED PANEL CUTOUT
(NOT TO SCALE)



NOTE:

- 1.) PROVISION FOR DUAL EUROPEAN STYLE FUSING 6EDL4M ONLY.
- 2.) 6EDL4 CONNECT JUMPER OR SWITCH FROM POINT X TO F AND FROM G TO B.

*RESISTOR ADDED TO PRODUCT BUILT AFTER 3-30-92 (9212).

50Ω - 50Ω (MINIMUM) INSERTION LOSS		TOLERANCE EXCEPT AS NOTED	
FREQUENCY MHz	ANGLE	DECIMAL, .XXX	ENGLISH, ±.025
.05	15	.50	1.0
1.0	3.0	5.0	10
30	30	30	30
COMMON dB	DIFF. dB	MATERIAL: AS SUPPLIED	
1	6	FINISH:	
13	17	This document is proprietary to CORCOM INC. and is not to be reproduced nor used for manufacturing purposes except on CORCOM's order or prior written consent.	
26	31	except on CORCOM's order or prior written consent.	
37	45		
45	50		

corcom
LIBERTYVILLE, IL 60048

POWER LINE FILTER

SCALE: DATE: 3-12-87 DRG. NO. NTS
BY: LJD ORIGINATOR: CFW
REV. 5

X-ON Electronics

Largest Supplier of Electrical and Electronic Components

Click to view similar products for [AC Power Entry Modules](#) category:

Click to view products by [TE Connectivity](#) manufacturer:

Other Similar products are found below :

[0098.0050](#) [6167.0002](#) [6609100-2](#) [7-6609955-2](#) [FKI2-50-6/M5](#) [FN361-6-06](#) [FN389-4-22](#) [FN9226B-6-02](#) [FN9233S1-10-06](#) [FN9233S1-8-06](#)
[FN9233S1B-8-06](#) [FN9233S1R-1-06](#) [FN9233S1R-12-06](#) [FN9233SB-1-06](#) [FN9233SB-12-06](#) [FN9233SB-8-06](#) [FN9233SR-10-06](#) [FN9244B-15-06HI](#) [FN9244EB-3-06](#) [FN9244EB-8-06](#) [FN9244ER-15-06](#) [FN9244ER-8-06](#) [FN9244ES1-8-06](#) [FN9244ESB-8-06](#) [FN9244R-12-06](#)
[FN9244S1-12-06](#) [FN9244S1R-3-06](#) [FN9244SB-8-06](#) [FN9244SR-6-06](#) [FN9244U-3-06](#) [FN9244U-8-06](#) [8-6609940-2](#) [PE00SSSXB](#) [Fuse-H-EUR-1](#) [Fuse-H-USA-1](#) [PM00XD000](#) [A-0701-HT-H](#) [15EJMS8](#) [1-6609941-2](#) [200JM6-2](#) [CA121003-6](#) [SK-1015\(F1-5\)](#) [161-R3015-E](#) [1-6609153-2](#) [FN323-1-05](#) [FN9233B-8-06](#) [FN9233EB-1-06](#) [FN9233ES1R-10-06](#) [FN9233R-12-06](#) [FN9233S-10-06](#)