

SAFETY ORGANIZATION(S)

THIS FILTER HAS BEEN FORMALLY RECOGNIZED, CERTIFIED OR APPROVED BY THE LISTED AGENCY. THEREFORE, ALL TEST/REQUIREMENTS SPECIFIED IN THE LATEST REVISION OF THE FOLLOWING AGENCY STANDARDS HAVE BEEN MET.

UL RECOGNIZED
UL 544
CSA CERTIFIED
CSA 22.2, NO. 0, 0.4, 8
VDE APPROVED
VDE 565-3, 625

OPERATING SPECIFICATIONS.

LINE VOLTAGE/CURRENT,
6 AMP., 120/250 VAC
50-60HZ

LINE FREQUENCY:

MAX. LEAKAGE CURRENT, EACH
LINE TO GROUND
2µA at 120V 50 Hz
5µA at 250V 50 Hz

OPERATING AMBIENT TEMP. RANGE:

-10°C TO +40°C @ RATED CURRENT, I_r
IN AN AMBIENT, T_a, HIGHER THAN 40°C, THE MAXIMUM OPERATING
CURRENT, I_o, IS AS FOLLOWS:

$$I_o = I_r \sqrt{\frac{85 - T_a}{45}}$$

RELIABILITY SPECIFICATIONS:

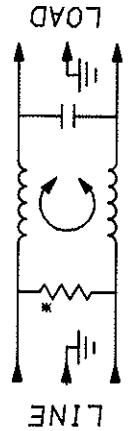
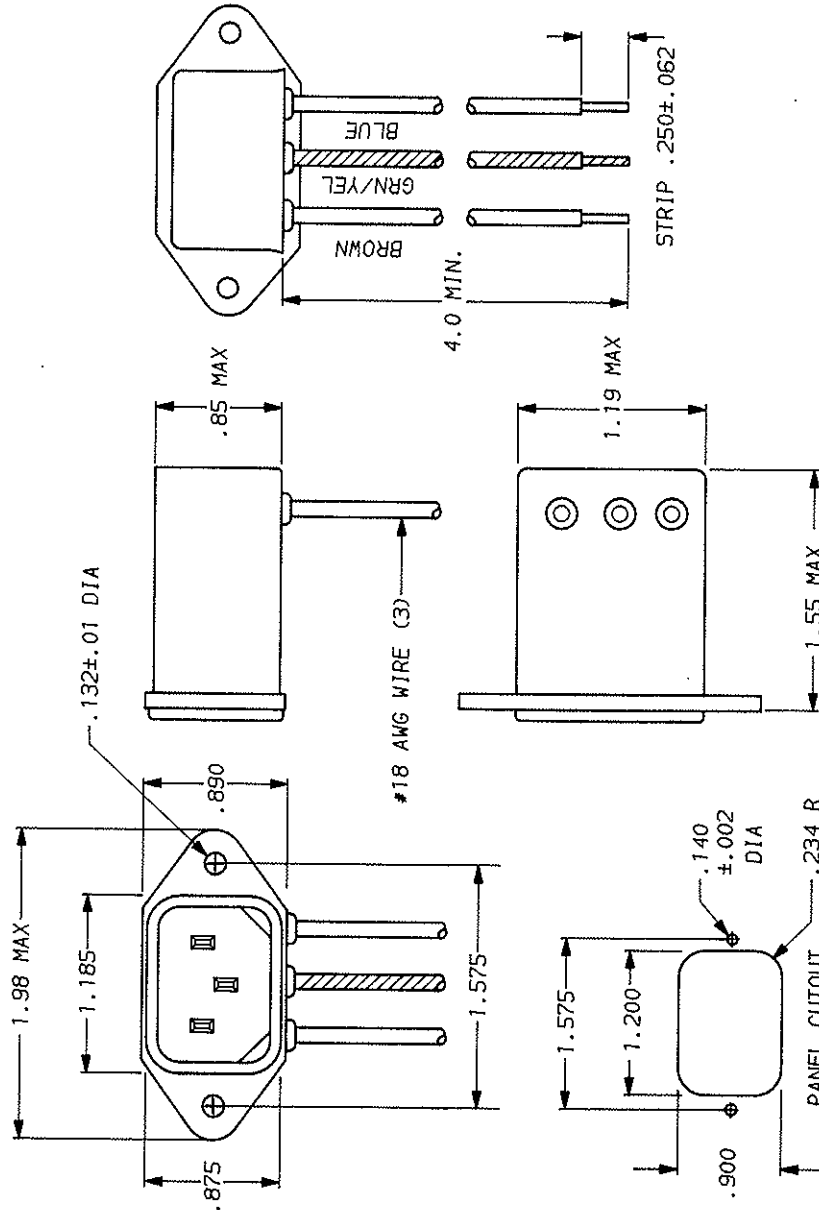
STORAGE TEMPERATURE,
-40°C TO +85°C
HUMIDITY,
21 DAYS @ 40°C 95% RH
CURRENT OVERLOAD TEST,
6 TIMES RATED CURRENT FOR 8 SECONDS

TEST SPECIFICATIONS:

INDUCTANCE,
.465 mH NOMINAL
CAPACITANCE, (MEASURED @ 1 KHZ, 0.25 VAC MAX., 25°C ±1°C)
LINE TO LINE,
.01µF ±20%
DISCHARGE RESISTOR,
1.5 MΩ
LINE/GROUND AND LINE/LINE
5000 MΩ (MIN) AT 100 VDC
INSULATION RESISTANCE
(4/0 DISCHARGE RESISTOR)
20°C AND 50% RH
RECOMMENDED RECEIVING INSPECTION HIPOUT,
LINES TO GROUND,
2250 VDC FOR 1 MINUTE
LINE TO LINE,
1450 VDC FOR 1 MINUTE

FILTER APPROVAL:

THE BEST WAY TO SELECT AND QUALIFY A FILTER IS FOR YOUR ENGINEERING TO TEST THE UNIT IN YOUR EQUIPMENT.



50a - 50a MINIMUM INSERTION LOSS

| FREQUENCY MHZ | .15 | .5 | 1.0 | 5.0 | 10 | 20 | 30 |
|------------------|-----|----|-----|-----|----|----|----|
| COMMON | 9 | 16 | 20 | 26 | 23 | 20 | 18 |

This document is proprietary to CORCOM INC. and is not to be reproduced nor used for manufacturing purposes except on CORCOM's order or prior written consent.

TOLERANCE EXCEPT AS NOTED
DECIMAL: .XXX .XX .X ANGLES
ENGLISH: ±.015 ± 1°
METRIC: ±
MATERIAL:
AS SUPPLIED

FINISH:
AS SUPPLIED



POWER LINE FILTER

SCALE: NTS 8-14-90
REV. NO. 6EHS.01
CFW

X-ON Electronics

Largest Supplier of Electrical and Electronic Components

Click to view similar products for [AC Power Entry Modules](#) category:

Click to view products by [TE Connectivity](#) manufacturer:

Other Similar products are found below :

[0098.0050](#) [6167.0002](#) [6609100-2](#) [7-6609955-2](#) [FKI2-50-6/M5](#) [FN361-6-06](#) [FN389-4-22](#) [FN9226B-6-02](#) [FN9233S1-10-06](#) [FN9233S1-8-06](#)
[FN9233S1B-8-06](#) [FN9233S1R-1-06](#) [FN9233S1R-12-06](#) [FN9233SB-1-06](#) [FN9233SB-12-06](#) [FN9233SB-8-06](#) [FN9233SR-10-06](#) [FN9244B-15-06HI](#) [FN9244EB-3-06](#) [FN9244EB-8-06](#) [FN9244ER-15-06](#) [FN9244ER-8-06](#) [FN9244ES1-8-06](#) [FN9244ESB-8-06](#) [FN9244R-12-06](#)
[FN9244S1-12-06](#) [FN9244S1R-3-06](#) [FN9244SB-8-06](#) [FN9244SR-6-06](#) [FN9244U-3-06](#) [FN9244U-8-06](#) [8-6609940-2](#) [PE00SSSXB](#) [Fuse-H-EUR-1](#) [Fuse-H-USA-1](#) [PM00XD000](#) [A-0701-HT-H](#) [15EJMS8](#) [1-6609941-2](#) [200JM6-2](#) [CA121003-6](#) [SK-1015\(F1-5\)](#) [161-R3015-E](#) [1-6609153-2](#) [FN323-1-05](#) [FN9233B-8-06](#) [FN9233EB-1-06](#) [FN9233ES1R-10-06](#) [FN9233R-12-06](#) [FN9233S-10-06](#)