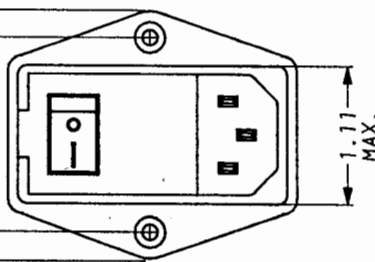
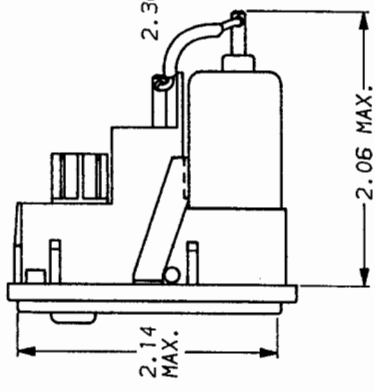
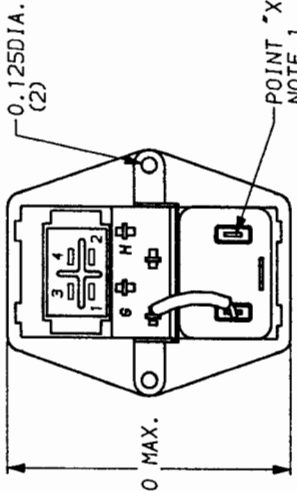
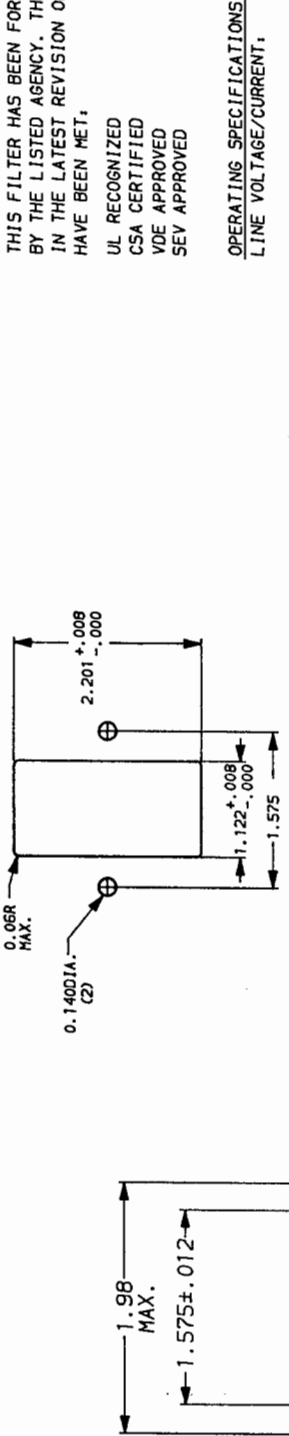
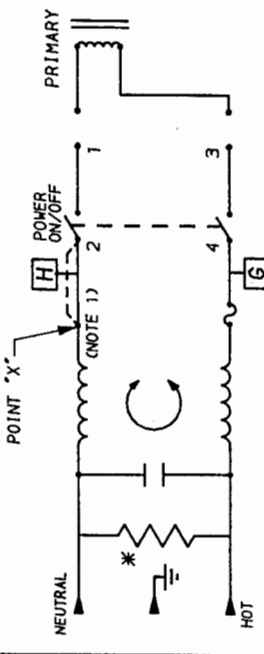


**RECOMMENDED PANEL CUTOUT**  
(NOT TO SCALE)



NOTE: ALL BACKPLATE TERMINALS ARE .110 FASTONS EXCEPT SWITCH TERMINALS WHICH ARE .187 FASTONS.



NOTE:  
1.) 6EHL15 JUMPER FROM POINT "X" TO 2 AND FROM "G" TO 4.

SAFETY ORGANIZATION(S).  
THIS FILTER HAS BEEN FORMALLY RECOGNIZED, CERTIFIED OR APPROVED BY THE LISTED AGENCY. THEREFORE, ALL TEST/REQUIREMENTS SPECIFIED IN THE LATEST REVISION OF THE FOLLOWING AGENCY STANDARDS HAVE BEEN MET:

- UL 1283, 544
- CSA 22.2, NO.0,0,4,8
- VDE 565-3, 625
- SEV 1055/TP1977/S.1.1

OPERATING SPECIFICATIONS.  
LINE VOLTAGE/CURRENT.

- 6 AMP., 120/250 VAC
- 6 AMP./40°C, 250 VAC
- 50-60Hz
- 2µA @ 120V 60Hz
- 5µA @ 250V 50Hz
- 10°C TO +40°C @ RATED CURRENT, I<sub>r</sub>

IN AN AMBIENT, T<sub>a</sub>, HIGHER THAN 40°C, THE MAXIMUM OPERATING CURRENT, I<sub>o</sub>, IS AS FOLLOWS:

$$I_o = I_r \sqrt{\frac{85 - T_a}{45}}$$

RELIABILITY SPECIFICATIONS.  
STORAGE TEMPERATURE,  
HUMIDITY,  
CURRENT OVERLOAD TEST,  
TEST SPECIFICATIONS.

- 25°C TO +85°C
- 21 DAYS @ 40°C 95% RH
- 6 TIMES RATED CURRENT FOR 8 SECONDS
- .52mH NOMINAL INDUCTANCE,
- CAPACITANCE, (MEASURED @ 1 KHz, 0.25 VAC MAX., 25°C ±1°C) LINE TO LINE: .047µF ±20%

DISCHARGE RESISTOR,  
LINE/GROUND AND LINE/LINE  
INSULATION RESISTANCE  
(W/O DISCHARGE RESISTOR)

RECOMMENDED RECEIVING INSPECTION HIPOIT.  
LINES TO GROUND,  
LINE TO LINE.

2250 VDC FOR 1 MINUTE  
1450 VDC FOR 1 MINUTE

FILTER APPROVAL.  
THE BEST WAY TO SELECT AND QUALIFY A FILTER IS FOR YOUR ENGINEERING TO TEST THE UNIT IN YOUR EQUIPMENT.

50Ω - 50Ω (MINIMUM) INSERTION LOSS	
FREQUENCY MHz	.05 15 50 1.0 2.0 5.0 10 30
COMMON dB	3 8 13 15 16 18 18 18
DIFF. dB	1 4 14 20 25 32 38 42

This document is proprietary to CORCOM INC. and is not to be reproduced nor used for manufacturing purposes except on CORCOM's order on prior written consent.

TOLERANCE EXCEPT AS NOTED  
DECIMAL: .XXX .XX .X ANGLES  
ENGLISH: ±.025  
METRIC: ±

MATERIAL: AS SUPPLIED  
FINISH:

POWER LINE FILTER

CORCOM  
LIBERTYVILLE, IL 60048

SCALE: NTS 3-29-88  
Dwg. No. 6EHL1S.04  
REV. 4  
APPROVED BY: C. Westby  
DATE: 4-30-92

## X-ON Electronics

Largest Supplier of Electrical and Electronic Components

*Click to view similar products for [AC Power Entry Modules](#) category:*

*Click to view products by [TE Connectivity](#) manufacturer:*

Other Similar products are found below :

[0098.0050](#) [6167.0002](#) [6609100-2](#) [7-6609955-2](#) [FKI2-50-6/M5](#) [FN361-6-06](#) [FN389-4-22](#) [FN9226B-6-02](#) [FN9233S1-10-06](#) [FN9233S1-8-06](#)  
[FN9233S1B-8-06](#) [FN9233S1R-1-06](#) [FN9233S1R-12-06](#) [FN9233SB-1-06](#) [FN9233SB-12-06](#) [FN9233SB-8-06](#) [FN9233SR-10-06](#) [FN9244B-15-06HI](#) [FN9244EB-3-06](#) [FN9244EB-8-06](#) [FN9244ER-15-06](#) [FN9244ER-8-06](#) [FN9244ES1-8-06](#) [FN9244ESB-8-06](#) [FN9244R-12-06](#)  
[FN9244S1-12-06](#) [FN9244S1R-3-06](#) [FN9244SB-8-06](#) [FN9244SR-6-06](#) [FN9244U-3-06](#) [FN9244U-8-06](#) [8-6609940-2](#) [PE00SSSXB](#) [Fuse-H-EUR-1](#) [Fuse-H-USA-1](#) [PM00XD000](#) [A-0701-HT-H](#) [15EJMS8](#) [1-6609941-2](#) [200JM6-2](#) [CA121003-6](#) [SK-1015\(F1-5\)](#) [161-R3015-E](#) [1-6609153-2](#) [FN323-1-05](#) [FN9233B-8-06](#) [FN9233EB-1-06](#) [FN9233ES1R-10-06](#) [FN9233R-12-06](#) [FN9233S-10-06](#)