

**RECOMMENDED PANEL CUTOUT**  
(NOT TO SCALE)

**SAFETY ORGANIZATION(S).**  
THIS FILTER HAS BEEN FORMALLY RECOGNIZED, CERTIFIED OR APPROVED BY THE LISTED AGENCY. THEREFORE, ALL TEST/REQUIREMENTS SPECIFIED IN THE LATEST REVISION OF THE FOLLOWING AGENCY STANDARDS HAVE BEEN MET.

UL RECOGNIZED  
UL 1283, 544  
CSA CERTIFIED  
CSA 22.2, NO. 0.0.4, B  
VDE APPROVED  
VDE 565-3, 625

**OPERATING SPECIFICATIONS.**  
LINE VOLTAGE/CURRENT:  
6 AMP., 120/250 VAC  
6 AMP./40°C, 250 VAC

LINE FREQUENCY:  
50-60Hz  
MAX. LEAKAGE CURRENT, EACH LINE TO GROUND  
2µA @ 120V 60Hz  
5µA @ 250V 50Hz  
OPERATING AMBIENT TEMP. RANGE:  
-10°C TO +40°C @ RATED CURRENT, I<sub>r</sub>  
IN AN AMBIENT, T<sub>a</sub>, HIGHER THAN 40°C, THE MAXIMUM OPERATING CURRENT, I<sub>o</sub>, IS AS FOLLOWS:  
 $I_o = I_r \sqrt{\frac{85-T_a}{45}}$

**RELIABILITY SPECIFICATIONS.**  
STORAGE TEMPERATURE:  
-25°C TO +85°C  
HUMIDITY:  
21 DAYS @ 40°C 95% RH  
CURRENT OVERLOAD TEST:  
6 TIMES RATED CURRENT FOR 8 SECONDS

**TEST SPECIFICATIONS.**  
INDUCTANCE:  
.52mH NOMINAL  
CAPACITANCE, (MEASURED @ 1 KHz, 0.25 VAC MAX., 25°C ± 1°C)  
LINE TO LINE:  
.047µF ± 20%

DISCHARGE RESISTOR:  
1.5 MΩ  
LINE/GROUND AND LINE/LINE  
INSULATION RESISTANCE  
6000 MΩ (MIN) AT 100 VDC  
20°C AND 50% RH  
(W/O DISCHARGE RESISTOR)

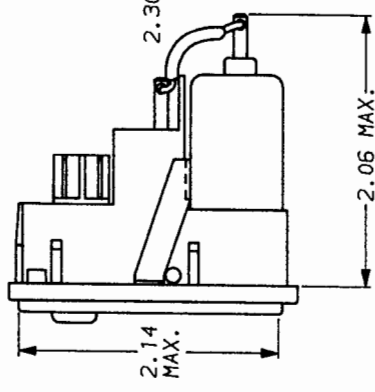
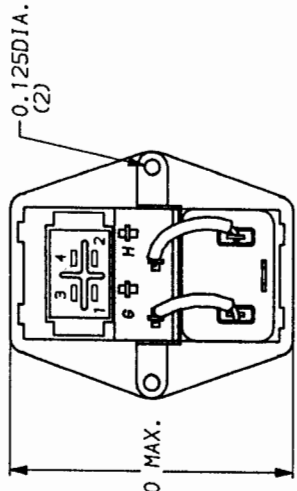
**RECOMMENDED RECEIVING INSPECTION HIPOT.**  
LINES TO GROUND:  
2250 VDC FOR 1 MINUTE  
LINE TO LINE:  
1450 VDC FOR 1 MINUTE

**FILTER APPROVAL.**  
THE BEST WAY TO SELECT AND QUALIFY A FILTER IS FOR YOUR ENGINEERING TO TEST THE UNIT IN YOUR EQUIPMENT.

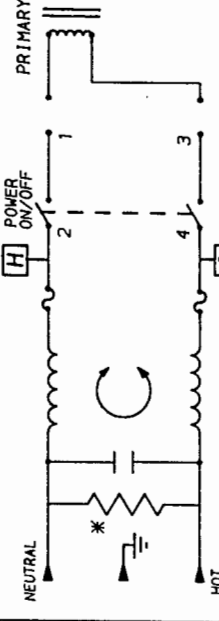
**TOLERANCE EXCEPT AS NOTED**  
DECIMAL: .XX .XX .X ANGLES ± 1°  
ENGLISH: ± .025  
METRIC: ±

**MATERIAL: AS SUPPLIED**

**FINISH:**



**NOTE: ALL BACKPLATE TERMINALS ARE .110 FASTONS EXCEPT SWITCH TERMINALS WHICH ARE .187 FASTONS.**



**NOTE: JUMPER "H" TO 2 AND "G" TO 4.**

50Ω - 50Ω (MINIMUM) INSERTION LOSS	
FREQUENCY MHZ	0.05 0.15 0.50 1.0 2.0 5.0 10 30
COMMON dB	3 8 13 15 16 18 18 18
DIFF. dB	1 4 14 20 25 32 38 42

This document is proprietary to CORCOM INC. and is not to be reproduced nor used for manufacturing purposes except on CORCOM's order or prior written consent.



**CORCOM**  
LIBERTYVILLE, IL 60048

**POWER LINE FILTER**

SCALE: NTS 8-31-90  
REV. BY: CFW  
ORIGINATOR: CFW

REV. NO. 8EHL1SM.02

\*RESISTOR ADDED TO PRODUCT BUILT AFTER 3-30-92 (9212).

## X-ON Electronics

Largest Supplier of Electrical and Electronic Components

*Click to view similar products for [AC Power Entry Modules](#) category:*

*Click to view products by [TE Connectivity](#) manufacturer:*

Other Similar products are found below :

[0098.0050](#) [6167.0002](#) [6609100-2](#) [7-6609955-2](#) [FKI2-50-6/M5](#) [FN361-6-06](#) [FN389-4-22](#) [FN9226B-6-02](#) [FN9233S1-10-06](#) [FN9233S1-8-06](#)  
[FN9233S1B-8-06](#) [FN9233S1R-1-06](#) [FN9233S1R-12-06](#) [FN9233SB-1-06](#) [FN9233SB-12-06](#) [FN9233SB-8-06](#) [FN9233SR-10-06](#) [FN9244B-15-06HI](#) [FN9244EB-3-06](#) [FN9244EB-8-06](#) [FN9244ER-15-06](#) [FN9244ER-8-06](#) [FN9244ES1-8-06](#) [FN9244ESB-8-06](#) [FN9244R-12-06](#)  
[FN9244S1-12-06](#) [FN9244S1R-3-06](#) [FN9244SB-8-06](#) [FN9244SR-6-06](#) [FN9244U-3-06](#) [FN9244U-8-06](#) [8-6609940-2](#) [PE00SSSXB](#) [Fuse-H-EUR-1](#) [Fuse-H-USA-1](#) [PM00XD000](#) [A-0701-HT-H](#) [15EJMS8](#) [1-6609941-2](#) [200JM6-2](#) [CA121003-6](#) [SK-1015\(F1-5\)](#) [161-R3015-E](#) [1-6609153-2](#) [FN323-1-05](#) [FN9233B-8-06](#) [FN9233EB-1-06](#) [FN9233ES1R-10-06](#) [FN9233R-12-06](#) [FN9233S-10-06](#)