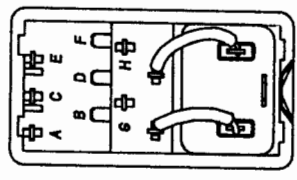
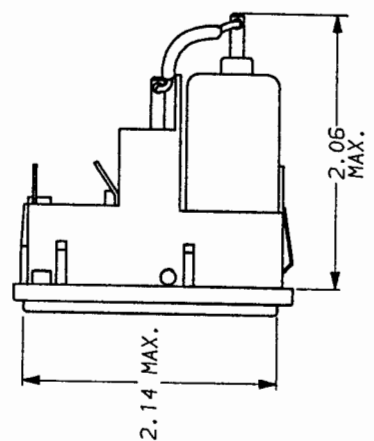
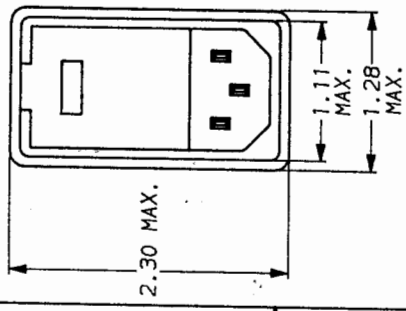
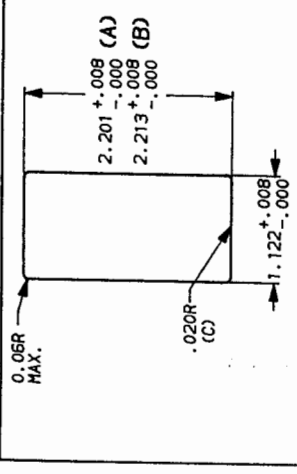


RECOMMENDED PANEL CUTOUT
 (NOT TO SCALE)

NOTES:
 (A) FOR PANEL TH'K. OF .031 -.079
 (B) FOR PANEL TH'K. OF .083 -.126
 (C) FOR SNAP-IN APPLICATION, THE SIDES OF THE CUTOUT MUST HAVE A .020R. ON THE INSTALLATION SIDE.



NOTE: ALL BACKPLATE TERMINALS ARE .110 FASTONS.

SAFETY ORGANIZATION(S).

THIS FILTER HAS BEEN FORMALLY RECOGNIZED, CERTIFIED OR APPROVED BY THE LISTED AGENCY. THEREFORE, ALL TEST/REQUIREMENTS SPECIFIED IN THE LATEST REVISION OF THE FOLLOWING AGENCY STANDARDS HAVE BEEN MET.

UL RECOGNIZED
 CSA CERTIFIED
 VDE APPROVED
 UL 1283, 544
 CSA 22.2, NO. 0.0.4, 8
 VDE 565-3, 625

OPERATING SPECIFICATIONS:

LINE VOLTAGE/CURRENT, 6 AMP., 120/250 VAC
 6 AMP./40°C, 250 VAC
 50-60Hz
 LINE FREQUENCY, 2µA @ 120V 60Hz
 MAX. LEAKAGE CURRENT, EACH
 LINE TO GROUND 5µA @ 250V 50Hz
 OPERATING AMBIENT TEMP. RANGE, -10°C TO +40°C @ RATED CURRENT, I_r

IN AN AMBIENT, I_a, HIGHER THAN 40°C, THE MAXIMUM OPERATING CURRENT, I_o, IS AS FOLLOWS,

$$I_o = I_r \sqrt{\frac{85 - I_a}{45}}$$

RELIABILITY SPECIFICATIONS:

STORAGE TEMPERATURE, -25°C TO +40°C
 HUMIDITY, 21 DAYS @ 40°C 95% RH
 CURRENT OVERLOAD TEST, 6 TIMES RATED CURRENT FOR 8 SECONDS

TEST SPECIFICATIONS:

INDUCTANCE, .52mH NOMINAL
 CAPACITANCE, MEASURED @ 1 KHz, 0.25 VAC MAX., 25°C ±1°C
 LINE TO LINE, .047µF ±20%

DISCHARGE RESISTOR,

LINE/GROUND AND LINE/LINE 1.5 Ma
 6000 Ma (MIN) AT 100 VDC
 INSULATION RESISTANCE 20°C AND 50% RH
 (W/O DISCHARGE RESISTOR)

RECOMMENDED RECEIVING INSPECTION HIPOTL.

2250 VDC FOR 1 MINUTE
 1450 VDC FOR 1 MINUTE

LINE TO GROUND,

LINE TO LINE, 2250 VDC FOR 1 MINUTE
 1450 VDC FOR 1 MINUTE

LINE TO LINE,

2250 VDC FOR 1 MINUTE
 1450 VDC FOR 1 MINUTE

LINE TO LINE,

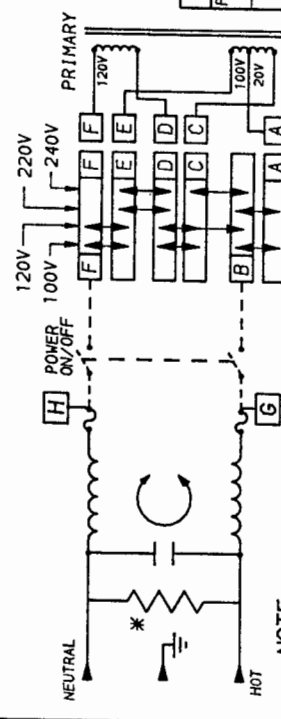
2250 VDC FOR 1 MINUTE
 1450 VDC FOR 1 MINUTE

LINE TO LINE,

2250 VDC FOR 1 MINUTE
 1450 VDC FOR 1 MINUTE

50Ω - 50Ω (MINIMUM) INSERTION LOSS	
FREQUENCY MHz	0.05 0.15 0.50 1.0 2.0 5.0 10 30
COMMON dB	3 8 13 15 16 18 18 18
DIFF. dB	1 4 14 20 25 32 38 42

This document is proprietary to CORCOM INC. and is not to be reproduced nor used for manufacturing purposes except on CORCOM's order or prior written consent.



NOTE:
 1.) 6EHL4CM CONNECT JUMPER OR SWITCH FROM "H" TO F AND FROM "G" TO B.

*RESISTOR ADDED TO PRODUCT BUILT AFTER 3-30-92 (9212).



POWER LINE FILTER

SCALE: NTS 8-31-90
 DATE: 8-31-90
 DRAWING NO.: 6EHL4CM.02
 DESIGNED BY: CFW
 CHECKED BY: CFW

X-ON Electronics

Largest Supplier of Electrical and Electronic Components

Click to view similar products for [AC Power Entry Modules](#) category:

Click to view products by [TE Connectivity](#) manufacturer:

Other Similar products are found below :

[0098.0050](#) [6167.0002](#) [6609100-2](#) [7-6609955-2](#) [FKI2-50-6/M5](#) [FN361-6-06](#) [FN389-4-22](#) [FN9226B-6-02](#) [FN9233S1-10-06](#) [FN9233S1-8-06](#)
[FN9233S1B-8-06](#) [FN9233S1R-1-06](#) [FN9233S1R-12-06](#) [FN9233SB-1-06](#) [FN9233SB-12-06](#) [FN9233SB-8-06](#) [FN9233SR-10-06](#) [FN9244B-15-06HI](#) [FN9244EB-3-06](#) [FN9244EB-8-06](#) [FN9244ER-15-06](#) [FN9244ER-8-06](#) [FN9244ES1-8-06](#) [FN9244ESB-8-06](#) [FN9244R-12-06](#)
[FN9244S1-12-06](#) [FN9244S1R-3-06](#) [FN9244SB-8-06](#) [FN9244SR-6-06](#) [FN9244U-3-06](#) [FN9244U-8-06](#) [8-6609940-2](#) [PE00SSSXB](#) [Fuse-H-EUR-1](#) [Fuse-H-USA-1](#) [PM00XD000](#) [A-0701-HT-H](#) [15EJMS8](#) [1-6609941-2](#) [200JM6-2](#) [CA121003-6](#) [SK-1015\(F1-5\)](#) [161-R3015-E](#) [1-6609153-2](#) [FN323-1-05](#) [FN9233B-8-06](#) [FN9233EB-1-06](#) [FN9233ES1R-10-06](#) [FN9233R-12-06](#) [FN9233S-10-06](#)