

SAFETY ORGANIZATIONS

THIS FILTER HAS BEEN FORMALLY RECOGNIZED, CERTIFIED OR APPROVED BY THE LISTED AGENCY. THEREFORE, ALL TEST/REQUIREMENTS SPECIFIED IN THE LATEST REVISION OF THE FOLLOWING AGENCY STANDARDS HAVE BEEN MET:

 UL RECONGNIZED: UL 1283

 CSA CERTIFIED: CSA G22.2 No. 8

 VDE APPROVED: EN 60939-2

OPERATING SPECIFICATIONS

LINE CURRENT/VOLTAGE: 6 AMP, 120/250 VAC
 CSA & VDE: 6 AMP/40°C, 250 VAC

OPERATING AMBIENT TEMP. RANGE: -10°C TO +40°C @ RATED CURRENT, I_r .
 IN AN AMBIENT, T_a , HIGHER THAN 40°C, THE MAXIMUM OPERATING CURRENT, I_o , IS AS FOLLOWS:

$$I_o = I_r \sqrt{\frac{100 - T_a}{60}}$$

LINE CURRENT/VOLTAGE: 6 AMP, 120/250 VAC
 UL: 6 AMP/25°C, 120/250 VAC

OPERATING AMBIENT TEMP. RANGE: -10°C TO +25°C @ RATED CURRENT, I_r .
 IN AN AMBIENT, T_a , HIGHER THAN 40°C, THE MAXIMUM OPERATING CURRENT, I_o , IS AS FOLLOWS:

$$I_o = I_r \sqrt{\frac{100 - T_a}{75}}$$

LINE FREQUENCY: 50-60Hz

MAXIMUM LEAKAGE CURRENT, EACH LINE TO GROUND:
 .3mA @ 120V, 60Hz
 .5mA @ 250V, 50Hz

RELIABILITY SPECIFICATIONS:

STORAGE TEMPERATURE: -40°C TO +85°C
 HUMIDITY: 21 DAYS @ 40°C 95% RH.
 CURRENT OVERLOAD TEST: 6 TIMES I_r FOR 8 SECONDS

RECOMMENDED RECEIVING INSPECTION HIPOT:

LINE TO GROUND: 1500 VAC FOR 1 MINUTE
 LINE TO LINE: 1450 VDC FOR 1 MINUTE

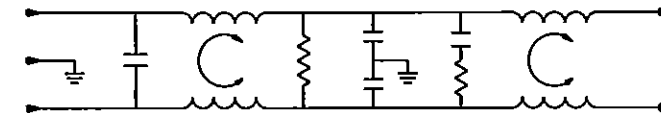
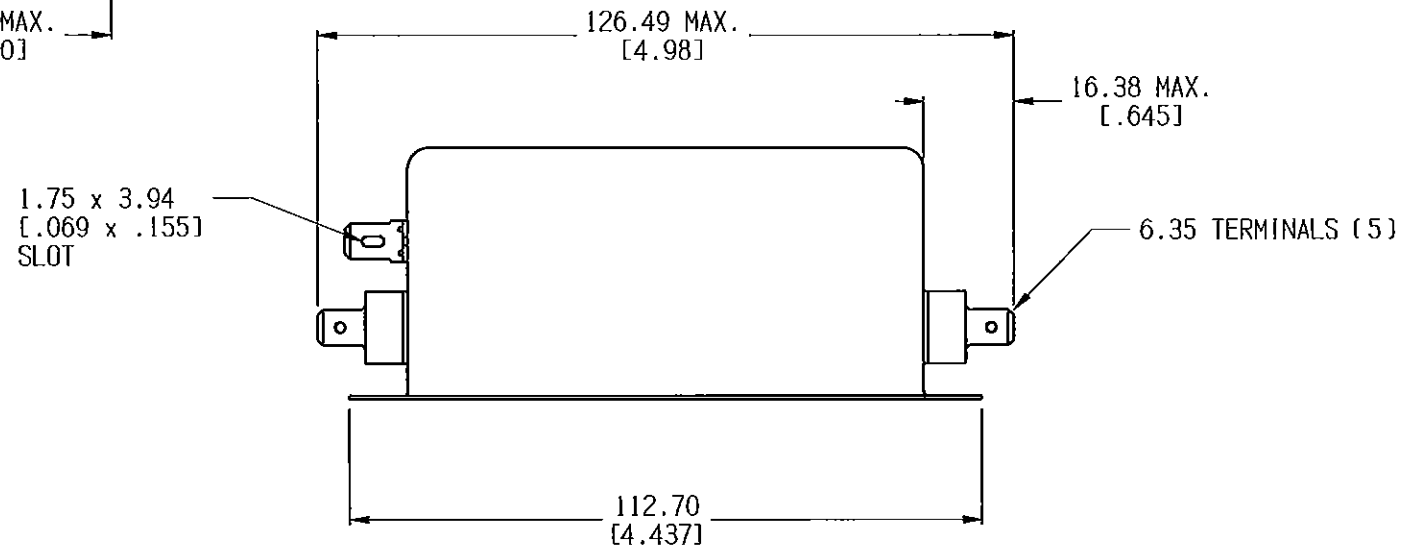
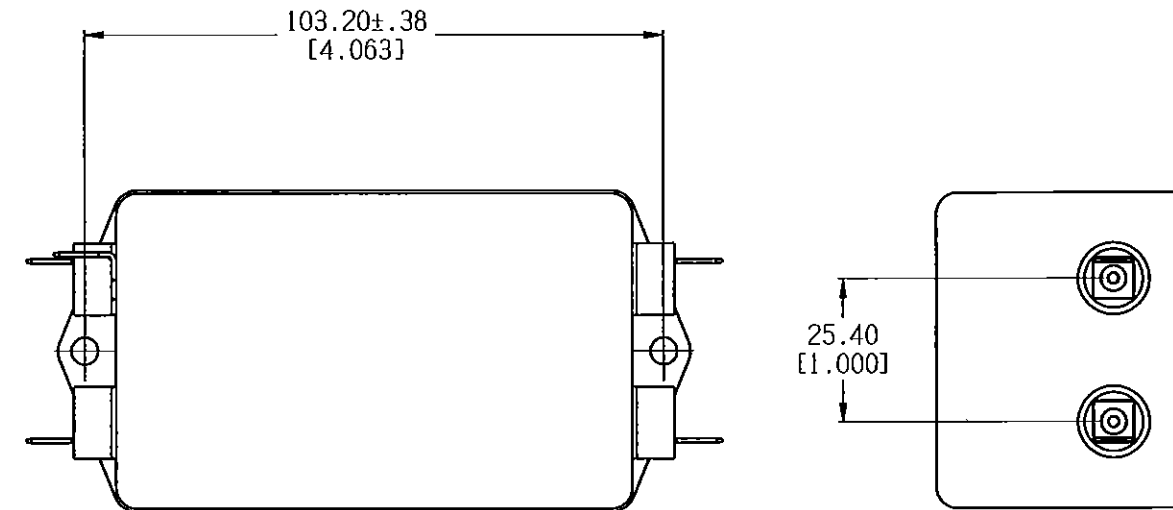
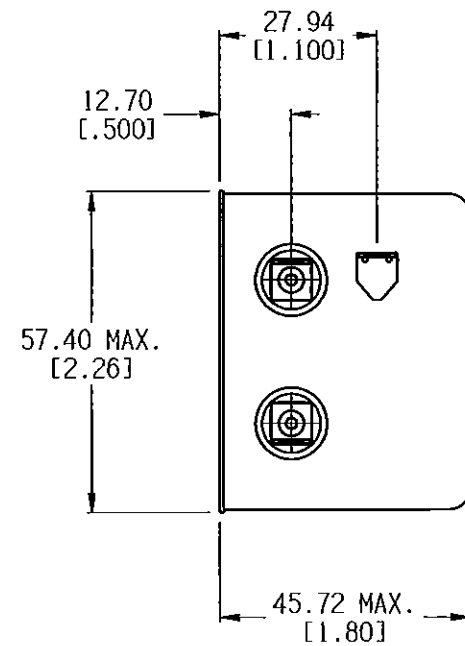
FILTER APPROVAL:

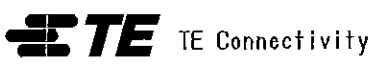
THE BEST WAY TO SELECT AND QUALIFY A FILTER IS FOR YOUR ENGINEERING TO TEST THE UNIT IN YOUR EQUIPMENT.

TEST SPECIFICATIONS:

INDUCTANCE: 48.8 mH NOMINAL
 CAPACITANCE: (MEASURED @ 1KHz, 0.250VAC MAX., 25°C±1°C)
 LINE TO GROUND: .008 μF ±20%
 LINE TO LINE: 1.97 μF ±20%
 DISCHARGE RESISTOR: 165 KΩ
 L/G AND L/L I.R.
 NO DISCHARGE RESISTOR: 6000MΩ (MIN.) @ 100VDC, 20°C AND 50% RH

6EQ1			
EC #	APPR.	DDMMYY	REV.
14-015108	TAM	25OCT14	H



50 Ω - 50 Ω (MINIMUM) INSERTION LOSS												PARTS SHALL COMPLY WITH TYCO ELECTRONICS 138-702 SPECIFICATION FOR HAZARDOUS SUBSTANCES			
FREQUENCY Hz	.01	.015	.02	.05	.15	.5	2	5	7	10	20	30	UNLESS OTHERWISE SPECIFIED TOLERANCE TO BE ±0.63 MATERIAL & FINISH: AS SUPPLIED		 TE Connectivity
COMMON dB	26	28	31	20	68	72	72	68	55	55	50	45	NOTES:		
DIFF. dB	6	4	10	43	70	75	75	65	52	55	55	55	CUSTOMER DRAWING		
DIMENSIONS IN MILLIMETERS		TE PART NO: 6609048-5		SCALE: 1/2		DATE: 29SEP93		DRAWING NUMBER: 6EQ1		REV. H		DRY. BY: LJD		ORIG: TAM	

SHEET SIZE: B

THIS INFORMATION IS CONFIDENTIAL AND PROPRIETARY TO TYCO ELECTRONICS CORPORATION AND ITS WORLDWIDE SUBSIDIARIES AND AFFILIATES. IT MAY NOT BE DISCLOSED TO ANYONE OTHER THAN TYCO ELECTRONICS PERSONNEL, WITHOUT WRITTEN AUTHORIZATION FROM TYCO ELECTRONICS CORPORATION, HARRISBURG, PENNSYLVANIA USA.

6601 H.ckd Rev Legend 2

X-ON Electronics

Largest Supplier of Electrical and Electronic Components

Click to view similar products for [Power Line Filters](#) category:

Click to view products by [TE Connectivity](#) manufacturer:

Other Similar products are found below :

[6609019-3](#) [6609026-5](#) [6609030-6](#) [6609973-2](#) [D30A](#) [7-1609090-5](#) [F2810](#) [F4456A](#) [F7382Z](#) [F7863Z](#) [FAHAV3100ZC000](#) [806276](#) [FN2020B-1-06](#) [FN2080B-10-06](#) [FN2410H-32-33](#) [FP144](#) [FS4153-20-06](#) [FS4353-500-99](#) [12-MMB-030-11-D](#) [DB4-393](#) [15811T200](#) [20B1](#) [LC630](#) [2B1](#) [1609080-2](#) [1609993-8](#) [1-6609070-1](#) [F1100AA02](#) [F1150CC10](#) [F1500CA10](#) [F1500CA15](#) [F4041Z](#) [F7585E](#) [1B1](#) [FN2070A-16-06](#) [FN2090A-20-06](#) [FN2090B-12-06](#) [FN2090Z-1-06](#) [FN2410H-25-33](#) [FN2410H-60-34](#) [FN2410H-8-44](#) [FN2412H-8-44](#) [FN323B-6-01](#) [FN3258H-130-35](#) [FN610R-3-06](#) [20EHQ7](#) [20EHZ7](#) [20K1](#) [30B6](#) [3K1](#)