

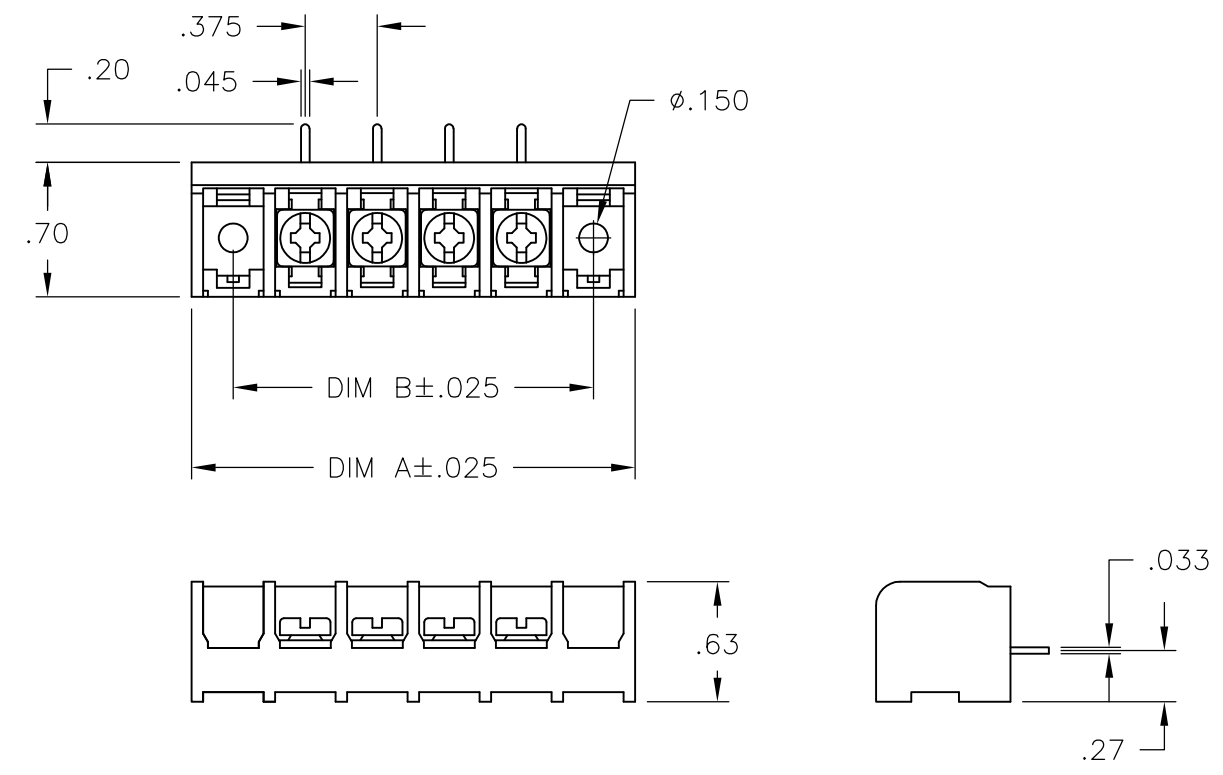
THIS DRAWING IS UNPUBLISHED. RELEASED FOR PUBLICATION  
 © COPYRIGHT BY TYCO ELECTRONICS CORPORATION. ALL RIGHTS RESERVED.

LOC	DIST	REVISIONS					
FT	0	P	LTR	DESCRIPTION	DATE	DWN	APVD
			B	REVISED PER ECO-10-012476	17JUN10	HMR	CR

MATERIAL:  
 HOUSING: THERMOPLASTIC, UL94V-0, BLACK.  
 TERMINALS: COPPER ALLOY, BRIGHT TIN PLATED.  
 SCREWS: 6-32, STEEL, ZINC PLATED WITH CLEAR CHROMATE.

ELECTRICAL:  
 MAXIMUM CURRENT: 25A  
 OPERATING VOLTAGE: 300V  
 WIRE RANGE: 12-22 AWG  
 RECOMMENDED TIGHTENING TORQUE: 7 IN-LB

ENVIRONMENT:  
 OPERATING TEMP.: +105°C MAX



10.875	11.311	28	6PCR-28-008	5-1546399-2
10.500	10.936	27	6PCR-27-008	5-1546399-1
10.125	10.561	26	6PCR-26-008	5-1546399-0
9.750	10.186	25	6PCR-25-008	4-1546399-9
9.375	9.811	24	6PCR-24-008	4-1546399-8
9.000	9.436	23	6PCR-23-008	4-1546399-7
8.625	9.061	22	6PCR-22-008	4-1546399-6
8.250	8.686	21	6PCR-21-008	4-1546399-5
7.875	8.311	20	6PCR-20-008	4-1546399-4
7.500	7.936	19	6PCR-19-008	4-1546399-3
7.125	7.561	18	6PCR-18-008	4-1546399-2
6.750	7.186	17	6PCR-17-008	4-1546399-1
6.375	6.811	16	6PCR-16-008	4-1546399-0
6.000	6.436	15	6PCR-15-008	3-1546399-9
5.625	6.061	14	6PCR-14-008	3-1546399-8
5.250	5.686	13	6PCR-13-008	3-1546399-7
4.875	5.311	12	6PCR-12-008	3-1546399-6
4.500	4.936	11	6PCR-11-008	3-1546399-5
4.125	4.561	10	6PCR-10-008	3-1546158-8
3.750	4.186	9	6PCR-09-008	3-1546399-4
3.375	3.811	8	6PCR-08-008	1437652-1
3.000	3.436	7	6PCR-07-008	3-1546399-3
2.625	3.061	6	6PCR-06-008	3-1546158-2
2.250	2.686	5	6PCR-05-008	3-1546158-1
1.875	2.311	4	6PCR-04-008	3-1546158-0
1.500	1.936	3	6PCR-03-008	2-1546158-8
1.125	1.561	2	6PCR-02-008	2-1546158-7
DIM "B"	DIM "A"	NO OF POS	CATALOG NUMBER	TE NUMBER

THIS DRAWING IS A CONTROLLED DOCUMENT.		DWN	S SCHLEGEL	10/19/06	Tyco Electronics Corporation Harrisburg, PA 17105-3608			
DIMENSIONS: INCHES		CHK	S YODER	10/19/06				
TOLERANCES UNLESS OTHERWISE SPECIFIED:		APVD	S YODER	10/19/06	NAME			
0 PLC ± - 1 PLC ± - 2 PLC ± .01 3 PLC ± .005 4 PLC ± - ANGLES ± 1°		PRODUCT SPEC		6PCR-XX-008 ASSEMBLY				
MATERIAL		APPLICATION SPEC		SIZE		CAGE CODE	DRAWING NO	RESTRICTED TO
FINISH		WEIGHT		A3		00779	C-1437652-1	-
CUSTOMER DRAWING				SCALE	NTS	SHEET	1 OF 1	REV
								B

## X-ON Electronics

Largest Supplier of Electrical and Electronic Components

*Click to view similar products for [Barrier Terminal Blocks](#) category:*

*Click to view products by [TE Connectivity](#) manufacturer:*

Other Similar products are found below :

[CTA-0103](#) [6PCR-02-008](#) [6PCR-05-008](#) [6PCR-08-008](#) [6PCR-21-006](#) [6PCV-06-008](#) [6PCV-10-009](#) [6PCV-15-008](#) [6STR-06-006](#) [6STR-08-006](#) [6STR-12-008](#) [6STR-14-008](#) [6STR-16-008](#) [6STR-17-008](#) [6STR-21-008](#) [6STR-25-008](#) [6STR-27-008](#) [6STV-03-006](#) [6STV-03-008](#) [6STV-04-006](#) [6STV-10-006](#) [6WWR-03](#) [6WWV-11-008](#) [6WWV-12-008](#) [6WWV-16-008](#) [7-1546701-0](#) [72212603](#) [72503-C](#) [73203](#) [76007](#) [7606-602LF](#) [77010-50](#) [796985-3](#) [796988-4](#) [7C1N08](#) [8-1437402-5](#) [8-1437402-7](#) [8-1546158-0](#) [870505](#) [870903](#) [8PCR-06-006](#) [8PCV-02-008](#) [8PCV-04-008](#) [8PCV-05-008](#) [8PCV-09-006](#) [8PCV-15-006](#) [8PCV-16-006](#) [8PCV-17-006](#) [8QCR-03-008](#) [8STV-04-006](#)