

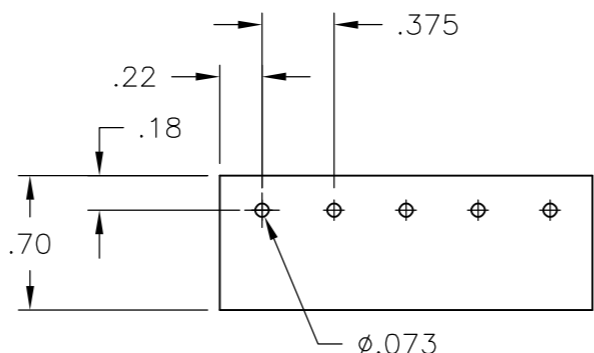
THIS DRAWING IS UNPUBLISHED. RELEASED FOR PUBLICATION
 © COPYRIGHT - By - ALL RIGHTS RESERVED.

| LOC | DIST | REVISIONS | | | | | |
|-----|------|-----------|-----|---------------------------|-----------|-----|------|
| FT | 0 | P | LTR | DESCRIPTION | DATE | DWN | APVD |
| | | P | | REVISED PER ECO-13-011850 | 13NOV2013 | KH | MB |



DETAIL FOR P/N's 1-1546160-6, 1-1546160-7 AND 1-1546160-8

- 1 CAPTIVE SCREWS.
- 2 MARK WITH WHITE PERMANENT INK.
- 3 ALL SCREWS TO BE DRIVEN DOWN TO TERMINAL SURFACE.
- 4 NICKEL PLATED BRASS SCREWS.
- 5 PRELIMINARY PART NUMBER.
- 6 OBSOLETE PARTS: OBSOLETE CIS STREAMLINING PER D.RENAUD/D.SINISI



RECOMMENDED PCB LAYOUT

MATERIAL:
 HOUSING: THERMOPLASTIC, UL94V-0 BLACK.
 TERMINALS: BRIGHT TIN PLATED, COPPER ALLOY.
 SCREWS: 6-32, STEEL, ZINC PLATED WITH CLEAR CHROMATE.

ELECTRICAL:
 CURRENT RATING UL/CSA:
 CLASS C: 25A, 300V.
 CLASS D: 5A, 600V.
 WIRE RANGE: 12-22 AWG

MECHANICAL:
 RECOMMENDED TIGHTENING TORQUE: 7 IN-LBS.
 OPERATING TEMP.: 105°C MAX

| REV | DATE | DESCRIPTION | BY | CHKD | APVD |
|--------|------|--------------|-------------|------|------|
| 11.311 | 30 | 6PCV-30-006 | 4-1546686-5 | | |
| 10.936 | 29 | 6PCV-29-006 | 1-1437656-2 | | |
| 10.561 | 28 | 6PCV-28-006 | 8-1546158-6 | | |
| 10.186 | 27 | 6PCV-27-006 | 8-1546158-5 | | |
| 9.811 | 26 | 6PCV-26-006 | 4-1437654-5 | | |
| 9.436 | 25 | 6PCV-25-006 | 4-1437654-1 | | |
| 9.061 | 24 | 6PCV-24-006 | 8-1546158-2 | | |
| 8.686 | 23 | 6PCV-23-006 | 4-1546686-3 | | |
| 8.311 | 22 | 6PCV-22-006 | 3-1437654-4 | | |
| 7.936 | 21 | 6PCV-21-006 | 3-1437654-1 | | |
| 7.561 | 20 | 6PCV-20-323 | 8-1546158-0 | | |
| 7.561 | 20 | 6PCV-20-006 | 1-1437654-9 | | |
| 7.186 | 19 | 6PCV-19-006 | 1-1437654-4 | | |
| 6.811 | 18 | 6PCV-18-006 | 1437654-7 | | |
| 6.886 | 17 | 6PCV-17-899 | 1437654-2 | | |
| 6.436 | 17 | 6PCV-17-006 | 9-1437653-8 | | |
| 6.061 | 16 | 6PCV-16-1389 | 4-1546686-9 | | |
| 6.061 | 16 | 6PCV-16-1388 | 4-1546686-8 | | |
| 8.686 | 16 | 6PCV-16-1047 | 8-1437653-3 | | |
| 6.061 | 16 | 6PCV-16-006 | 8-1437653-0 | | |
| 5.686 | 15 | 6PCV-15-1298 | 1-1546160-8 | | |
| 5.686 | 15 | 6PCV-15-006 | 7-1437653-4 | | |
| 5.311 | 14 | 6PCV-14-006 | 6-1437653-8 | | |
| 4.936 | 13 | 6PCV-13-1297 | 1-1546160-7 | | |
| 4.936 | 13 | 6PCV-13-006 | 6-1437653-3 | | |
| 4.561 | 12 | 6PCV-12-1296 | 1-1546160-6 | | |
| 4.561 | 12 | 6PCV-12-006 | 5-1437653-1 | | |
| 4.186 | 11 | 6PCV-11-006 | 4-1437653-5 | | |
| 3.811 | 10 | 6PCV-10-1269 | 3-1437653-9 | | |
| 3.811 | 10 | 6PCV-10-006 | 3-1437653-5 | | |
| 3.436 | 9 | 6PCV-09-002 | 1546262-3 | | |
| 3.436 | 9 | 6PCV-09-006 | 2-1437653-5 | | |
| 3.061 | 8 | 6PCV-08-1394 | 1546262-7 | | |
| 3.061 | 8 | 6PCV-08-1314 | 1-1437653-7 | | |
| 3.061 | 8 | 6PCV-08-006 | 1-1437653-3 | | |
| 2.686 | 7 | 6PCV-07-1399 | 1546262-9 | | |
| 2.686 | 7 | 6PCV-07-006 | 1437653-7 | | |
| 2.311 | 6 | 6PCV-06-1398 | 1546262-8 | | |
| 2.311 | 6 | 6PCV-06-002 | 1546262-4 | | |
| 2.311 | 6 | 6PCV-06-006 | 9-1437652-5 | | |
| 1.936 | 5 | 6PCV-05-002 | 5-1546686-0 | | |
| 1.936 | 5 | 6PCV-05-1267 | 8-1437652-5 | | |
| 1.936 | 5 | 6PCV-05-006 | 8-1437652-2 | | |
| 1.561 | 4 | 6PCV-04-1268 | 7-1437652-3 | | |
| 1.561 | 4 | 6PCV-04-1143 | 7-1437652-2 | | |
| 1.561 | 4 | 6PCV-04-006 | 6-1437652-7 | | |
| 1.186 | 3 | 6PCV-03-1385 | 4-1546686-7 | | |
| 1.186 | 3 | 6PCV-03-1384 | 4-1546686-6 | | |
| 1.186 | 3 | 6PCV-03-006 | 5-1437652-4 | | |
| .811 | 2 | 6PCV-02-1393 | 1546262-6 | | |
| 1.186 | 2 | 6PCV-02-807 | 4-1546158-5 | | |
| .811 | 2 | 6PCV-02-1313 | 4-1437652-5 | | |
| .811 | 2 | 6PCV-02-1216 | 4-1546158-4 | | |
| .811 | 2 | 6PCV-02-006 | 3-1437652-9 | | |

| | | | | |
|--|--------|------------------|----------|-----------|
| THIS DRAWING IS A CONTROLLED DOCUMENT. | | DWN | R BROWN | 22APR03 |
| DIMENSIONS: INCHES | | CHK | H WAKEEM | 22APR03 |
| TOLERANCES UNLESS OTHERWISE SPECIFIED: | | APVD | H WAKEEM | 22APR03 |
| 0 PLC | ± - | NAME | | |
| 1 PLC | ± - | 6PCV-XX-006 | | |
| 2 PLC | ± .02 | SIZE | A2 | CAGE CODE |
| 3 PLC | ± .010 | DRAWING NO | 00779 | 00779 |
| 4 PLC | ± - | RESTRICTED TO | - | |
| ANGLES | ± 1° | SCALE | 1:1 | SHEET |
| MATERIAL | FINISH | WEIGHT | - | 1 of 2 |
| - | | CUSTOMER DRAWING | REV P | |

THIS DRAWING IS UNPUBLISHED. RELEASED FOR PUBLICATION
 © COPYRIGHT - By - ALL RIGHTS RESERVED.

| LOC | DIST | REVISIONS | | | | | |
|-----|------|-----------|-----|-------------|------|-----|------|
| FT | 0 | P | LTR | DESCRIPTION | DATE | DWN | APVD |
| | | - | | SEE SHEET 1 | - | - | - |

| DIM A REF | NO OF POS | CATALOG NUMBER | PART NUMBER |
|-----------|-----------|----------------|-------------|
| 3.061 | 8 | 6PCV-08-2006 | 6-1546686-0 |
| 1.936 | 5 | 6PCV-05-2006 | 5-1546686-9 |
| .811 | 2 | 6PCV-02-2006 | 5-1546686-8 |
| 1.936 | 5 | 6PCV-05-006 | 5-1546686-7 |
| 1.186 | 3 | 6PCV-03-006-1 | 5-1546686-6 |

SEE FIGURE 1



| | | | | | | | | | | | | | | | | | | | | | | | |
|--|---|--------|----------|---------|-----------|-------------|---------------|-------|---|---|-------|---|-----|-------|---|------|-------|---|---|--------|---|----|------|
| THIS DRAWING IS A CONTROLLED DOCUMENT. | | DWN | R BROWN | 22APR03 | | | | | | | | | | | | | | | | | | | |
| DIMENSIONS: INCHES | | CHK | H WAKEEM | 22APR03 | | | | | | | | | | | | | | | | | | | |
| TOLERANCES UNLESS OTHERWISE SPECIFIED: | | APVD | H WAKEEM | 22APR03 | | | | | | | | | | | | | | | | | | | |
| <table border="0"> <tr><td>0 PLC</td><td>±</td><td>-</td></tr> <tr><td>1 PLC</td><td>±</td><td>-</td></tr> <tr><td>2 PLC</td><td>±</td><td>.02</td></tr> <tr><td>3 PLC</td><td>±</td><td>.010</td></tr> <tr><td>4 PLC</td><td>±</td><td>-</td></tr> <tr><td>ANGLES</td><td>±</td><td>1°</td></tr> </table> | | 0 PLC | ± | - | | | | 1 PLC | ± | - | 2 PLC | ± | .02 | 3 PLC | ± | .010 | 4 PLC | ± | - | ANGLES | ± | 1° | NAME |
| 0 PLC | ± | - | | | | | | | | | | | | | | | | | | | | | |
| 1 PLC | ± | - | | | | | | | | | | | | | | | | | | | | | |
| 2 PLC | ± | .02 | | | | | | | | | | | | | | | | | | | | | |
| 3 PLC | ± | .010 | | | | | | | | | | | | | | | | | | | | | |
| 4 PLC | ± | - | | | | | | | | | | | | | | | | | | | | | |
| ANGLES | ± | 1° | | | | | | | | | | | | | | | | | | | | | |
| MATERIAL | | WEIGHT | | SIZE | CAGE CODE | DRAWING NO | RESTRICTED TO | | | | | | | | | | | | | | | | |
| - | | - | | A2 | 00779 | 3-1437652-9 | - | | | | | | | | | | | | | | | | |
| CUSTOMER DRAWING | | | | SCALE | 1:1 | SHEET | 2 of 2 | | | | | | | | | | | | | | | | |
| | | | | REV | P | | | | | | | | | | | | | | | | | | |

3-1437652-9

X-ON Electronics

Largest Supplier of Electrical and Electronic Components

Click to view similar products for [Barrier Terminal Blocks](#) category:

Click to view products by [TE Connectivity](#) manufacturer:

Other Similar products are found below :

[CR151D20104](#) [670A-RZ-15-KT20](#) [6C1N03](#) [6PCR-02](#) [6PCR-02-008](#) [6PCR-05-008](#) [6PCR-08-008](#) [6PCR-09-008](#) [6PCR-13-006](#) [6PCR-15-006](#) [6PCR-21-006](#) [6PCV-06-008](#) [6PCV-06-716](#) [6PCV-09-001](#) [6PCV-10-009](#) [6PCV-15-008](#) [6PCV-17-1206](#) [6PCV-20-323](#) [6PCV-30-006](#) [6STR-06-006](#) [6STR-08-006](#) [6STR-12-008](#) [6STR-13-006](#) [6STR-14-008](#) [6STR-16-008](#) [6STR-17-008](#) [6STR-21-008](#) [6STR-25-008](#) [6STR-27-008](#) [6STV-03-006](#) [6STV-03-008](#) [6STV-04-006](#) [6STV-09-006](#) [6STV-10-006](#) [6WWR-03-693](#) [6WWV-12-008](#) [6WWV-16-008](#) [72212603](#) [72504-C-50](#) [72506-C](#) [72507-C-50](#) [73203](#) [75505-C](#) [75505-C-50](#) [75510-C](#) [77010-50](#) [7C1N08](#) [812-GP-3/4ST-09](#) [8-1437402-5](#) [8-1437402-7](#)