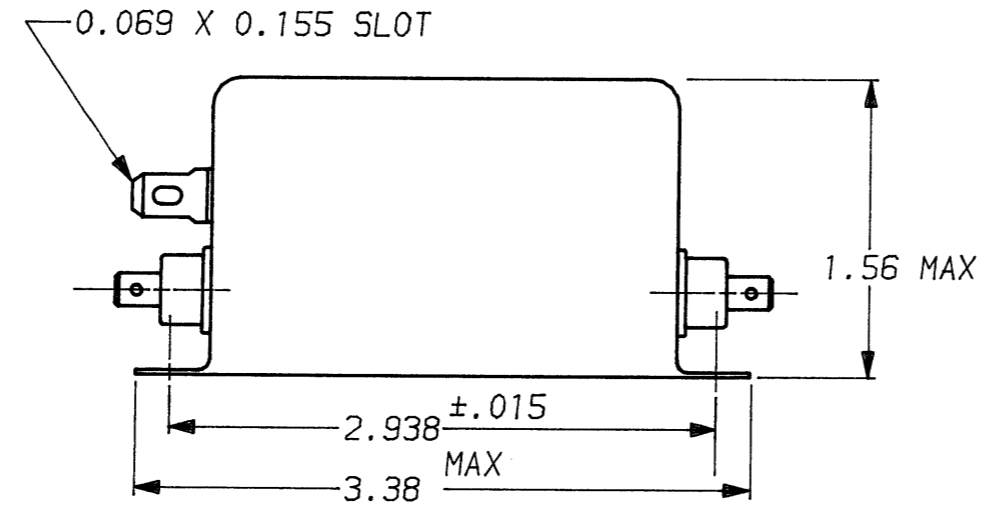
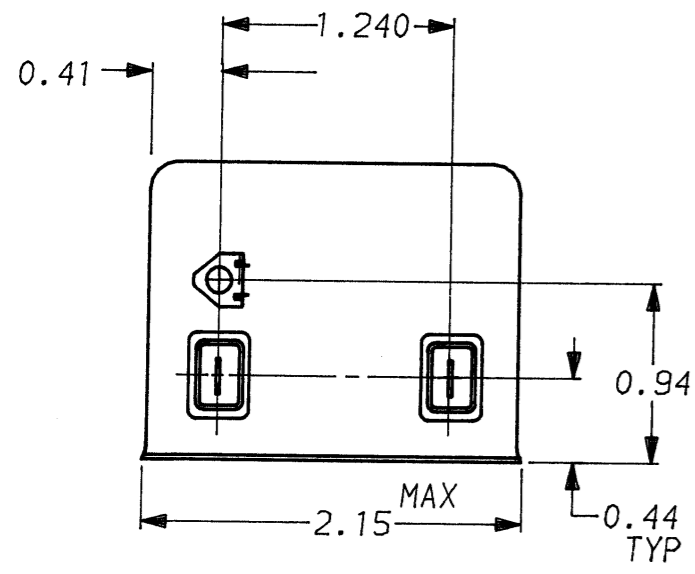
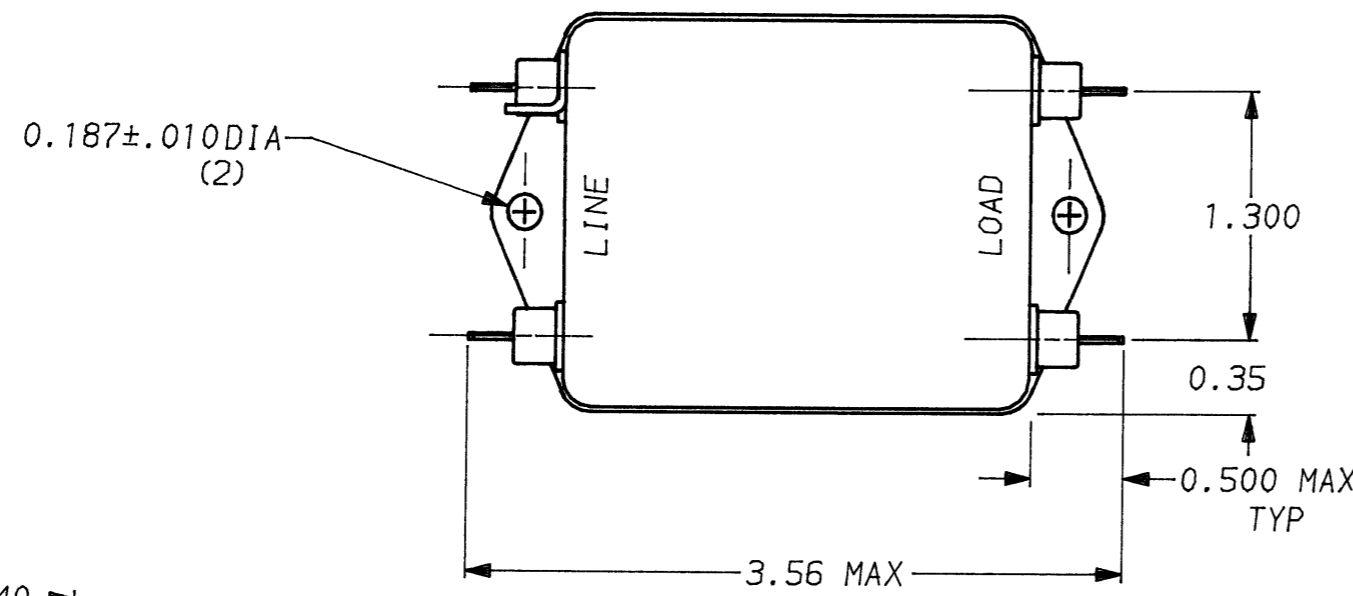


DESCRIPTION	APPROVED BY	DATE	REV
	C. Westerbe	10-15-92	4
ECO-09-026495	AEG	11DEC09	5



**SAFETY ORGANIZATION(S):**  
 THIS FILTER HAS BEEN FORMALLY RECOGNIZED, CERTIFIED OR APPROVED BY THE LISTED AGENCY. THEREFORE, ALL TEST/REQUIREMENTS SPECIFIED IN THE LATEST REVISION OF THE FOLLOWING AGENCY STANDARDS HAVE BEEN MET:

UL RECOGNIZED  
 CSA CERTIFIED  
 VDE APPROVED

**OPERATING SPECIFICATIONS:**  
 LINE VOLTAGE/CURRENT:  
 LINE FREQUENCY:  
 MAX. LEAKAGE CURRENT, EACH LINE TO GROUND  
 OPERATING AMBIENT TEMP. RANGE:

UL 1283  
 CSA 22.2, NO.0,0.4,8  
 VDE 565-3

6 AMP., 120/250 VAC  
 5 AMP/40°C, 250VAC  
 50-60Hz  
 1.25mA @ 120V 60Hz  
 2.10mA @ 250V 50Hz  
 -10°C TO +40°C @ RATED CURRENT, I<sub>r</sub>

IN AN AMBIENT, T<sub>a</sub>, HIGHER THAN 40°C, THE MAXIMUM OPERATING CURRENT, I<sub>o</sub>, IS AS FOLLOWS:

$$I_o = I_r \sqrt{\frac{85 - T_a}{45}}$$

**RELIABILITY SPECIFICATIONS:**  
 STORAGE TEMPERATURE:  
 HUMIDITY:  
 CURRENT OVERLOAD TEST:

-25°C TO +85°C  
 21 DAYS @ 40°C 95% RH  
 6 TIMES RATED CURRENT FOR 8 SECONDS

**TEST SPECIFICATIONS:**  
 INDUCTANCE:  
 CAPACITANCE: (MEASURED @ 1 KHz, 0.25 VAC MAX., 25°C ±1°C)  
 LINE TO GROUND:  
 LINE TO LINE:  
 DISCHARGE RESISTOR:  
 LINE/GROUND AND LINE/LINE  
 INSULATION RESISTANCE (W/O DISCHARGE RESISTOR)

3.45mH NOMINAL  
 .015µF ±20%  
 .57µF ±20%  
 560KΩ  
 6000 MΩ (MIN) AT 100 VDC  
 20°C AND 50% RH

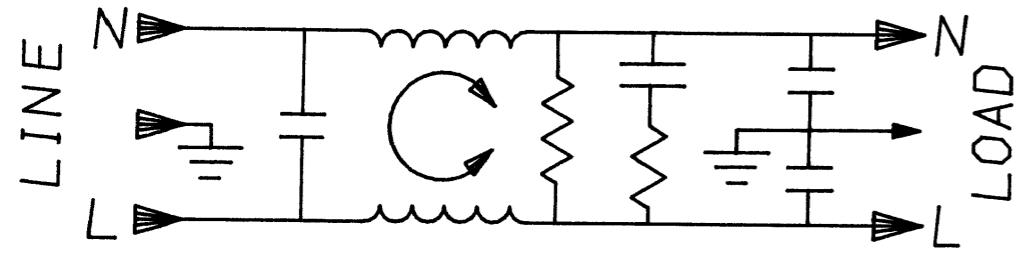
**RECOMMENDED RECEIVING INSPECTION HIPOT:**  
 LINES TO GROUND:  
 LINE TO LINE:

2250 VDC FOR 1 MINUTE  
 1450 VDC FOR 1 MINUTE

**FILTER APPROVAL:**  
 THE BEST WAY TO SELECT AND QUALIFY A FILTER IS FOR YOUR ENGINEERING TO TEST THE UNIT IN YOUR EQUIPMENT.

**1 OBSOLETE PARTS: OBSOLETE CIS STREAMLINING PER D.RENAUD/D.SINISI**

4609051-1	OBSOLETE	1
6609051-1		



50Ω - 50Ω (MINIMUM) INSERTION LOSS											
FREQUENCY MHz	.01	.05	.07	.1	.15	.5	1	5	10	20	30
COMMON dB	4	18	21	25	30	56	55	53	53	45	45
DIFF. dB	4	7	7	26	39	67	75	68	60	55	55

TOLERANCE EXCEPT AS NOTED  
 DECIMAL: .XXX .XX .X ANGLES ± 1°  
 ENGLISH: ±.025  
 METRIC: ± —  
 MATERIAL: AS SUPPLIED



**POWER LINE FILTER**

This document is proprietary to CORCOM INC. and is not to be reproduced nor used for manufacturing purposes except on CORCOM's order or prior written consent.

FINISH:

SCALE	DATE	DRG. NO.	REV.
NTS	5-12-88	6VG1	5
DRW. BY	ORIGINATOR		
TDL	CW		

## X-ON Electronics

Largest Supplier of Electrical and Electronic Components

*Click to view similar products for [Power Line Filters](#) category:*

*Click to view products by [TE Connectivity](#) manufacturer:*

Other Similar products are found below :

[6609019-3](#) [6609026-5](#) [6609030-6](#) [6609973-2](#) [D30A](#) [7-1609090-5](#) [F2810](#) [F4456A](#) [F7382Z](#) [F7863Z](#) [FAHAV3100ZC000](#) [806276](#) [FN2020B-1-06](#) [FN2080B-10-06](#) [FN2410H-32-33](#) [FP144](#) [FS4153-20-06](#) [FS4353-500-99](#) [12-MMB-030-11-D](#) [DB4-393](#) [15811T200](#) [20B1](#) [LC630](#) [2B1](#) [1609080-2](#) [1609993-8](#) [1-6609070-1](#) [F1100AA02](#) [F1150CC10](#) [F1500CA10](#) [F1500CA15](#) [F4041Z](#) [F7585E](#) [1B1](#) [FN2070A-16-06](#) [FN2090A-20-06](#) [FN2090B-12-06](#) [FN2090Z-1-06](#) [FN2410H-25-33](#) [FN2410H-60-34](#) [FN2410H-8-44](#) [FN2412H-8-44](#) [FN323B-6-01](#) [FN3258H-130-35](#) [FN610R-3-06](#) [20EHQ7](#) [20EHZ7](#) [20K1](#) [30B6](#) [3K1](#)