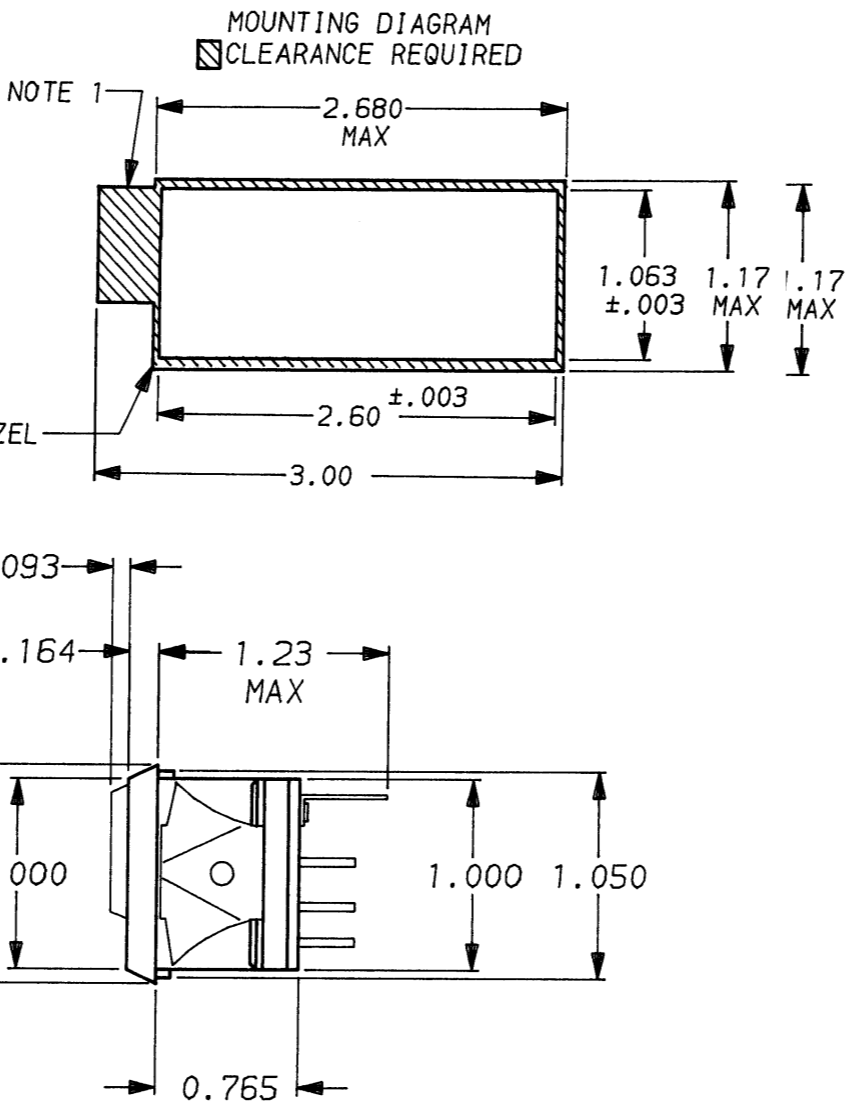
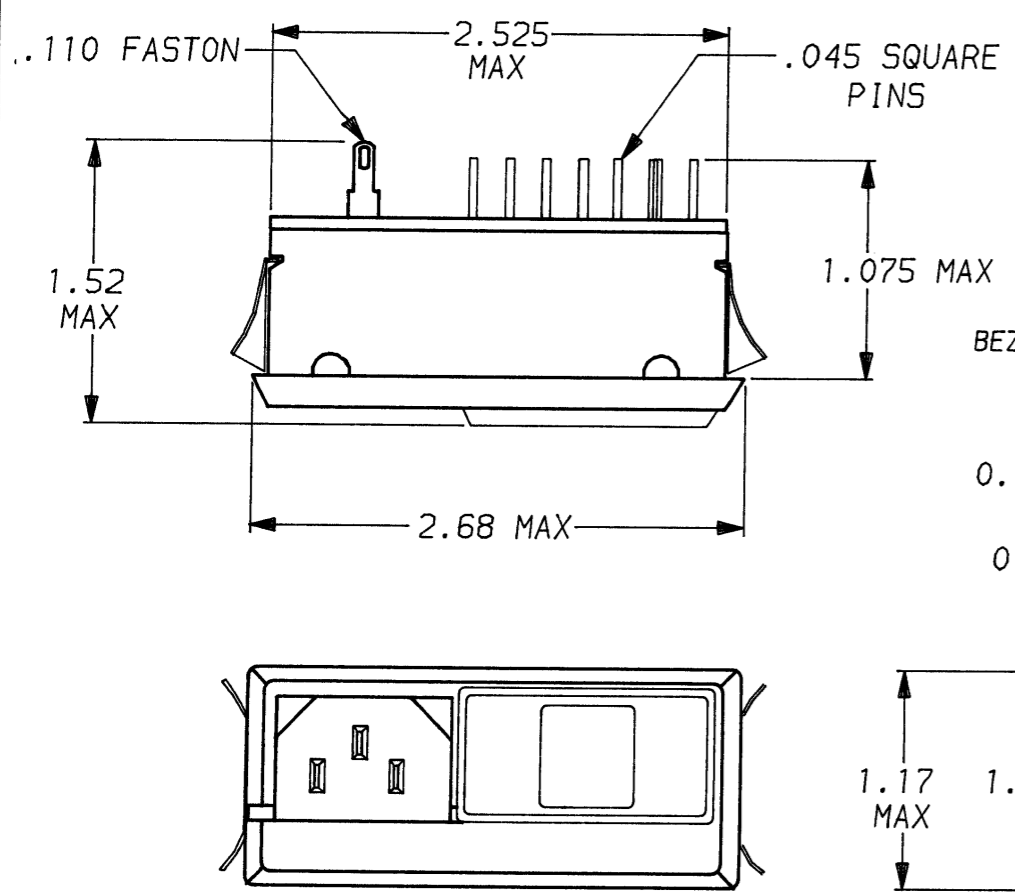


DESCRIPTION	APPROVED BY	DATE	REV
	C. Westoby	7-16-92	3
ECO-09-026495	AEG	11DEC09	4



**SAFETY ORGANIZATION(S):**  
 THIS MODULE HAS BEEN FORMALLY RECOGNIZED, CERTIFIED OR APPROVED BY THE LISTED AGENCY. THEREFORE, ALL TEST/REQUIREMENTS SPECIFIED IN THE LATEST REVISION OF THE FOLLOWING AGENCY STANDARDS HAVE BEEN MET:

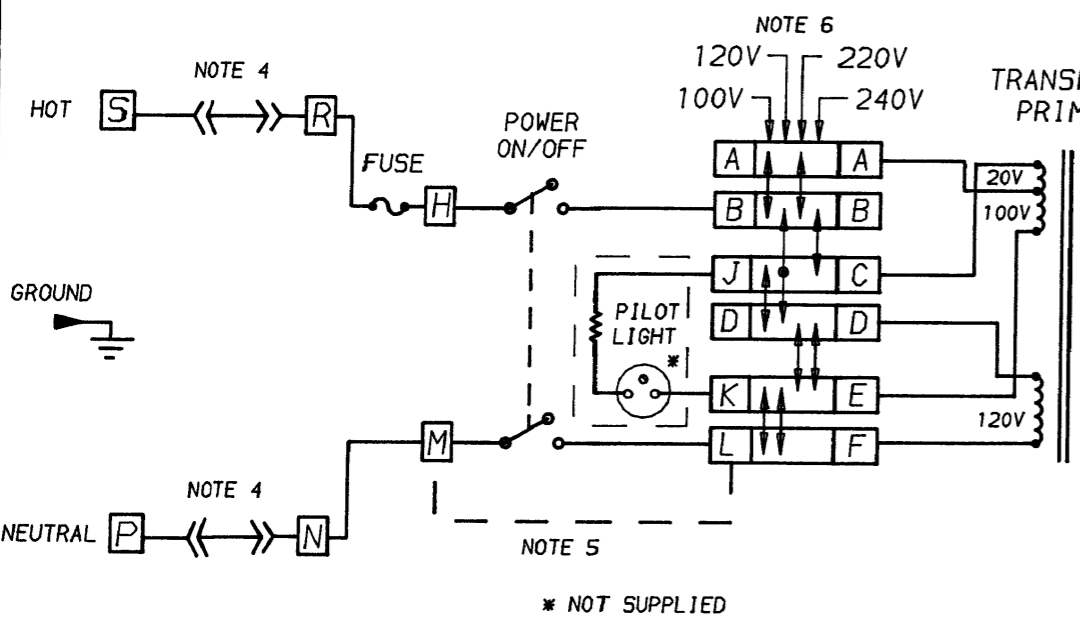
UL RECOGNIZED  
 CSA CERTIFIED  
**OPERATING SPECIFICATIONS:**  
 LINE VOLTAGE/CURRENT: 6 AMP., 120/250 VAC  
 LINE FREQUENCY: 50-60Hz  
 MAX. LEAKAGE CURRENT, EACH LINE TO GROUND: 2  $\mu$ A @ 120VAC 60 Hz, 5  $\mu$ A @ 250VAC 50 Hz  
**OPERATING VOLTAGES:**  
 6VJ1: 100, 120, 220, 240 VAC  
 6VJ1-2: 115, 230 VAC

**RELIABILITY SPECIFICATIONS:**  
 STORAGE TEMPERATURE: -40°C TO +85°C  
 HUMIDITY: 21 DAYS @ 40°C 95% RH  
 CURRENT OVERLOAD TEST: 6 TIMES RATED CURRENT FOR 8 SECONDS

**TEST SPECIFICATIONS:**  
 LINE/GROUND AND LINE/LINE INSULATION RESISTANCE: 6000 M $\Omega$  (MIN) AT 100 VDC 20°C AND 50% RH

**RECOMMENDED RECEIVING INSPECTION HIPOT:**  
 LINES TO GROUND: 2250 VDC FOR 1 MINUTE  
 LINE TO LINE: 1450 VDC FOR 1 MINUTE

**FILTER APPROVAL:**  
 THE BEST WAY TO SELECT AND QUALIFY A FILTER IS FOR YOUR ENGINEERING TO TEST THE UNIT IN YOUR EQUIPMENT.



- NOTES:**
- FUSE COVER DOOR SHOWN IN OPEN POSITION
  - STANDARD UNITS MOUNT IN PANEL THICKNESS OF .060 - .090"
  - SPECIAL MOUNTING CLIPS SOLD SEPARATELY FOR PANEL THICKNESSES OF .105 - .125"
  - JUMPERS REQUIRED IF NO FILTER IS USED
  - JUMPER REQUIRED IF ONLY SPST POWER SWITCH IS USED.
  - USE ONLY 120V AND 240V POSITIONS FOR 6VJ1-2
- $\Delta$  OBSOLETE PARTS: OBSOLETE CIS STREAMLINING PER D.RENAUD/D.SINISI

<del>1609124-2</del>	OBSOLETE $\Delta$
6609124-2	
1609124-1	
6609124-1	

This document is proprietary to CORCOM INC. and is not to be reproduced nor used for manufacturing purposes except on CORCOM's order or prior written consent.

TOLERANCE EXCEPT AS NOTED DECIMAL: .XXX .XX .X ANGLES ENGLISH: $\pm$ .015 $\pm$ 1° METRIC: $\pm$ —			
MATERIAL: AS SUPPLIED		POWER LINE FILTER	
FINISH:	SCALE: NTS	DATE: 8-10-90	DRG. NO. 6VJ1 & 6VJ1-2
	DRW. BY: CFW	ORIGINATOR: CFW	REV. 4

## X-ON Electronics

Largest Supplier of Electrical and Electronic Components

*Click to view similar products for [AC Power Entry Modules](#) category:*

*Click to view products by [TE Connectivity](#) manufacturer:*

Other Similar products are found below :

[0098.0050](#) [6167.0002](#) [6609100-2](#) [7-6609955-2](#) [FKI2-50-6/M5](#) [FN361-6-06](#) [FN389-4-22](#) [FN9226B-6-02](#) [FN9233S1-10-06](#) [FN9233S1-8-06](#)  
[FN9233S1B-8-06](#) [FN9233S1R-1-06](#) [FN9233S1R-12-06](#) [FN9233SB-1-06](#) [FN9233SB-12-06](#) [FN9233SB-8-06](#) [FN9233SR-10-06](#) [FN9244B-15-06HI](#) [FN9244EB-3-06](#) [FN9244EB-8-06](#) [FN9244ER-15-06](#) [FN9244ER-8-06](#) [FN9244ES1-8-06](#) [FN9244ESB-8-06](#) [FN9244R-12-06](#)  
[FN9244S1-12-06](#) [FN9244S1R-3-06](#) [FN9244SB-8-06](#) [FN9244SR-6-06](#) [FN9244U-3-06](#) [FN9244U-8-06](#) [8-6609940-2](#) [PE00SSSXB](#) [Fuse-H-EUR-1](#) [Fuse-H-USA-1](#) [PM00XD000](#) [A-0701-HT-H](#) [15EJMS8](#) [1-6609941-2](#) [200JM6-2](#) [CA121003-6](#) [SK-1015\(F1-5\)](#) [161-R3015-E](#) [1-6609153-2](#) [FN323-1-05](#) [FN9233B-8-06](#) [FN9233EB-1-06](#) [FN9233ES1R-10-06](#) [FN9233R-12-06](#) [FN9233S-10-06](#)