

ECN#	APP'D./DATE	REV.
10423	TAM 6/6/94	0

**SAFETY ORGANIZATION(S):**

THIS MODULE HAS BEEN FORMALLY RECOGNIZED, CERTIFIED OR APPROVED BY THE LISTED AGENCY. THEREFORE, ALL TEST/REQUIREMENTS SPECIFIED IN THE LATEST REVISION OF THE FOLLOWING AGENCY STANDARDS HAVE BEEN MET:

UL RECOGNIZED	UL 498
CSA CERTIFIED	CSA 22.2, NO.0,0.4,42
VDE APPROVED	VDE 625

**OPERATING SPECIFICATIONS:**

LINE VOLTAGE/CURRENT: 6 AMP, 120 VAC  
 4 AMP./40°C, 250 VAC  
 LINE FREQUENCY: 47-440Hz

**RELIABILITY SPECIFICATIONS:**

STORAGE TEMPERATURE: -55°C TO +85°C  
 HUMIDITY: 21 DAYS @ 40°C 95% RH  
 CURRENT OVERLOAD TEST: 6 TIMES RATED CURRENT FOR 8 SECONDS

**TEST SPECIFICATIONS:**

LINE/GROUND AND LINE/LINE INSULATION RESISTANCE: 5000MΩ (MIN) AT 100VDC 20°C AND 50% RH

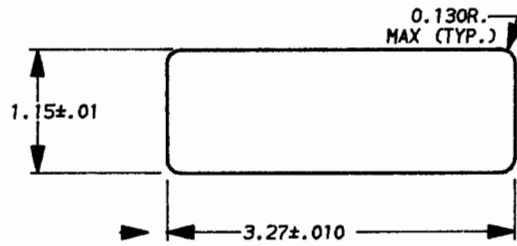
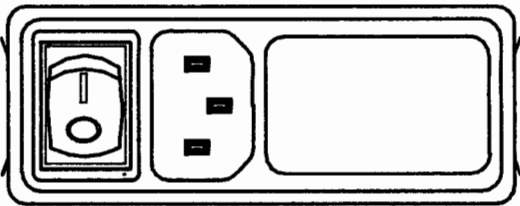
**RECOMMENDED RECEIVING INSPECTION HIPOT:**

LINES TO GROUND: 1500 VAC FOR 1 MINUTE  
 LINE TO LINE: 1450 VDC FOR 1 MINUTE

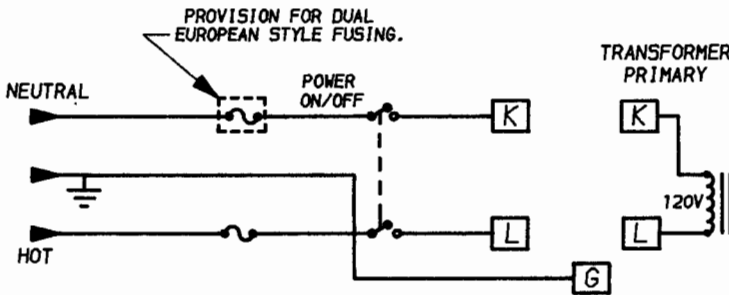
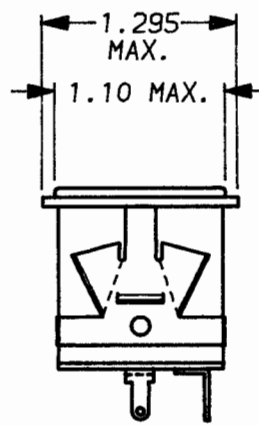
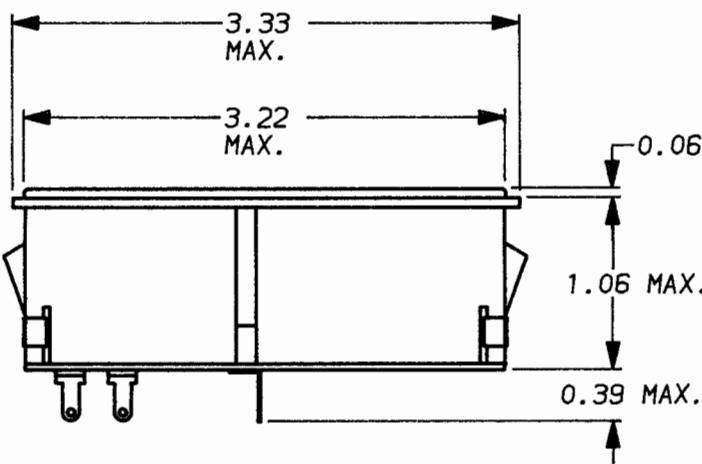
**FILTER APPROVAL:**

THE BEST WAY TO SELECT AND QUALIFY A FILTER IS FOR YOUR ENGINEERING TO TEST THE UNIT IN YOUR EQUIPMENT.

U.S. PATENT No. 4,488,201



**RECOMMENDED PANEL CUT-OUT**



PROVISION FOR DUAL EUROPEAN STYLE FUSING.

TRANSFORMER PRIMARY

	UNLESS OTHERWISE SPECIFIED, TOLERANCE TO BE ±.025	<b>corcom</b> LIBERTYVILLE, IL 60048		
	MATERIAL & FINISH: AS SUPPLIED	POWER LINE FILTER		
	This document is proprietary to CORCOM INC. and is not to be reproduced nor used for manufacturing purposes except on CORCOM'S prior written consent.	DATE: 4-18-94	CATALOG NO.	REV.
		APPRVD.	6VM1SC	00
		CAD NO.	6VM1SC.00	

## X-ON Electronics

Largest Supplier of Electrical and Electronic Components

*Click to view similar products for [AC Power Entry Modules](#) category:*

*Click to view products by [TE Connectivity](#) manufacturer:*

Other Similar products are found below :

[0098.0050](#) [6167.0002](#) [6609100-2](#) [7-6609955-2](#) [FKI2-50-6/M5](#) [FN361-6-06](#) [FN389-4-22](#) [FN9226B-6-02](#) [FN9233S1-10-06](#) [FN9233S1-8-06](#)  
[FN9233S1B-8-06](#) [FN9233S1R-1-06](#) [FN9233S1R-12-06](#) [FN9233SB-1-06](#) [FN9233SB-12-06](#) [FN9233SB-8-06](#) [FN9233SR-10-06](#) [FN9244B-15-06HI](#) [FN9244EB-3-06](#) [FN9244EB-8-06](#) [FN9244ER-15-06](#) [FN9244ER-8-06](#) [FN9244ES1-8-06](#) [FN9244ESB-8-06](#) [FN9244R-12-06](#)  
[FN9244S1-12-06](#) [FN9244S1R-3-06](#) [FN9244SB-8-06](#) [FN9244SR-6-06](#) [FN9244U-3-06](#) [FN9244U-8-06](#) [8-6609940-2](#) [PE00SSSXB](#) [Fuse-H-EUR-1](#) [Fuse-H-USA-1](#) [PM00XD000](#) [A-0701-HT-H](#) [15EJMS8](#) [1-6609941-2](#) [200JM6-2](#) [CA121003-6](#) [SK-1015\(F1-5\)](#) [161-R3015-E](#) [1-6609153-2](#) [FN323-1-05](#) [FN9233B-8-06](#) [FN9233EB-1-06](#) [FN9233ES1R-10-06](#) [FN9233R-12-06](#) [FN9233S-10-06](#)