

ECN#	APP'D. DATE	REV.
10416	TAM 6/3/94	0
ECO-09-026495	AEG 11DEC09	A1

**SAFETY ORGANIZATION(S) :**

THIS MODULE HAS BEEN FORMALLY RECOGNIZED, CERTIFIED OR APPROVED BY THE LISTED AGENCY. THEREFORE, ALL TEST/REQUIREMENTS SPECIFIED IN THE LATEST REVISION OF THE FOLLOWING AGENCY STANDARDS HAVE BEEN MET:

UL RECOGNIZED	UL 498
CSA CERTIFIED	CSA 22.2, NO.0,0.4, 42
VDE APPROVED	VDE 625

**OPERATING SPECIFICATIONS:**

LINE VOLTAGE/CURRENT: 6 AMP, 120 VAC  
4 AMP./40°C, 250 VAC  
LINE FREQUENCY: 47-440Hz

**RELIABILITY SPECIFICATIONS:**

STORAGE TEMPERATURE: -55°C TO +85°C  
HUMIDITY: 21 DAYS @ 40°C 95% RH  
CURRENT OVERLOAD TEST: 6 TIMES RATED CURRENT FOR 8 SECONDS

**TEST SPECIFICATIONS:**

LINE/GROUND AND LINE/LINE INSULATION RESISTANCE: 6000MΩ (MIN) AT 100VDC 20°C AND 50% RH

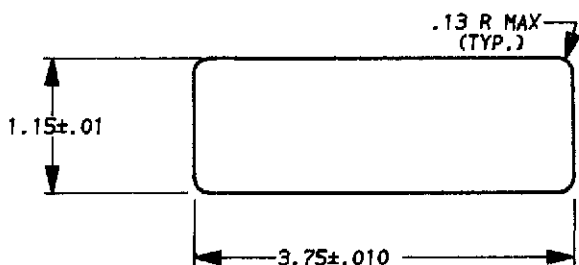
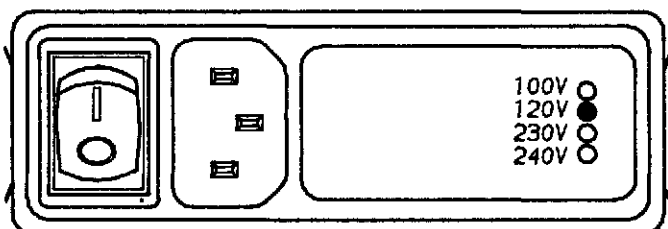
**RECOMMENDED RECEIVING INSPECTION HIPOT:**

LINES TO GROUND: 1500 VAC FOR 1 MINUTE  
LINE TO LINE: 1450 VDC FOR 1 MINUTE

**FILTER APPROVAL:**

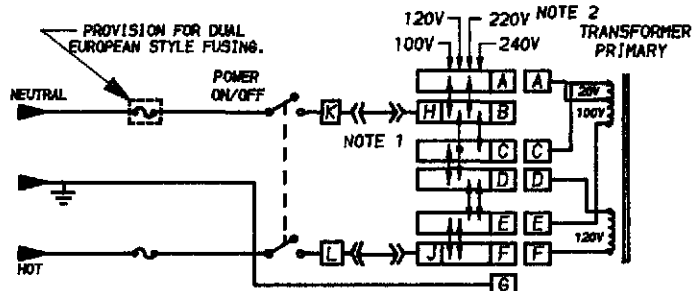
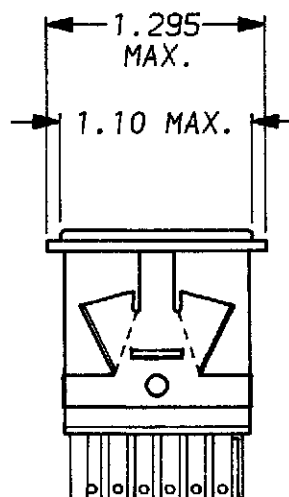
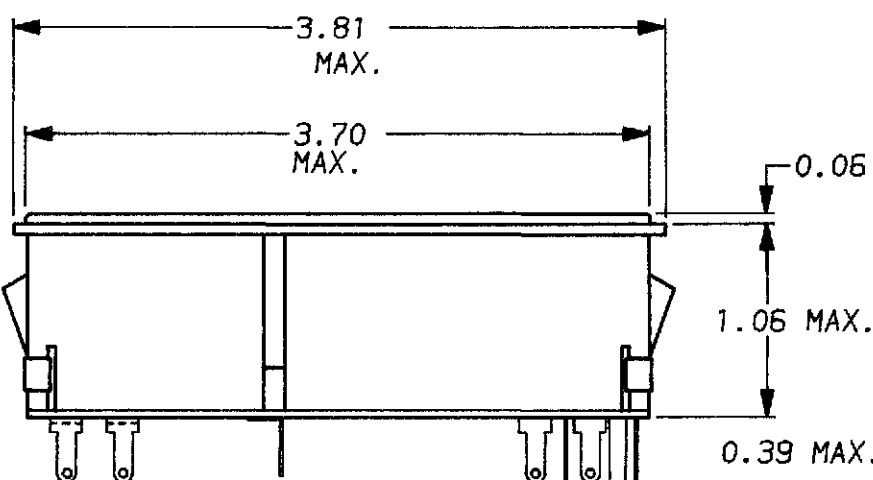
THE BEST WAY TO SELECT AND QUALIFY A FILTER IS FOR YOUR ENGINEERING TO TEST THE UNIT IN YOUR EQUIPMENT.

U.S. PATENT No. 4,488,201



RECOMMENDED PANEL CUT-OUT

NOT TO SCALE



NOTES: 1. JUMPERS REQUIRED IF NO FILTER IS USED.  
2. 230 V FOR EUROPEAN APPLICATIONS

⚠️ OBSOLETE PARTS: OBSOLETE CIS STREAMLINING PER D.RENAUD/D.SINISI

<del>3-1609128-7</del>	<b>OBSOLETE</b>	⚠️
3-6609128-7		

UNLESS OTHERWISE SPECIFIED, TOLERANCE TO BE ±.025

MATERIAL & FINISH: AS SUPPLIED

This document is proprietary to CORCOM INC. and is not to be reproduced nor used for manufacturing purposes except on CORCOM'S prior written consent.



POWER LINE FILTER

DATE: 4-18-94	CATALOG NO.	REV.
APPRVD.	<b>6VM45C</b>	<b>A1</b>
CAD NO.	<b>6VM45C.00</b>	

## X-ON Electronics

Largest Supplier of Electrical and Electronic Components

*Click to view similar products for [AC Power Entry Modules](#) category:*

*Click to view products by [TE Connectivity](#) manufacturer:*

Other Similar products are found below :

[0098.0050](#) [6167.0002](#) [6609100-2](#) [7-6609955-2](#) [FKI2-50-6/M5](#) [FN361-6-06](#) [FN389-4-22](#) [FN9226B-6-02](#) [FN9233S1-10-06](#) [FN9233S1-8-06](#)  
[FN9233S1B-8-06](#) [FN9233S1R-1-06](#) [FN9233S1R-12-06](#) [FN9233SB-1-06](#) [FN9233SB-12-06](#) [FN9233SB-8-06](#) [FN9233SR-10-06](#) [FN9244B-15-06HI](#) [FN9244EB-3-06](#) [FN9244EB-8-06](#) [FN9244ER-15-06](#) [FN9244ER-8-06](#) [FN9244ES1-8-06](#) [FN9244ESB-8-06](#) [FN9244R-12-06](#)  
[FN9244S1-12-06](#) [FN9244S1R-3-06](#) [FN9244SB-8-06](#) [FN9244SR-6-06](#) [FN9244U-3-06](#) [FN9244U-8-06](#) [8-6609940-2](#) [PE00SSSXB](#) [Fuse-H-EUR-1](#) [Fuse-H-USA-1](#) [PM00XD000](#) [A-0701-HT-H](#) [15EJMS8](#) [1-6609941-2](#) [200JM6-2](#) [CA121003-6](#) [SK-1015\(F1-5\)](#) [161-R3015-E](#) [1-6609153-2](#) [FN323-1-05](#) [FN9233B-8-06](#) [FN9233EB-1-06](#) [FN9233ES1R-10-06](#) [FN9233R-12-06](#) [FN9233S-10-06](#)