

## Agastat

TE Part # 4-1423164-2

TE Internal #: 7022REM

[View on TE.com >](#)

Relays, Contactors &amp; Switches &gt; Relays &gt; Time Delay Relays

Type of Control: **Knob**Input Voltage: **60 VDC**Timing Range (Off-Time): **20 – 200 seconds**Contact Current Rating: **10A@240VAC A**Mode of Operation: **Off-Delay****Features****Product Type Features**

Product Type	Relay
Relay Type	Time Delay
Product Category	Electromechanical Relays
Magnetic Blow-Out Device	Without

**Configuration Features**

Multiple Timing Ranges	Without
------------------------	---------

**Electrical Characteristics**

Actuating System	DC
Input Voltage	60 VDC
Timing Range (Off-Time)	20 – 200 seconds

**Contact Features**

Contact Arrangement	2 Form C, DPDT, 2 C/O
Type of Control	Knob
Contact Current Rating	10A@240VAC A

**Termination Features**

Termination Type	Screw Terminals
------------------	-----------------

**Mechanical Attachment**

Mounting Type	Mounting Bracket
---------------	------------------

### Dimensions

Dimensions (L x W x H) (Approximate)	114.8 x 65.3 x 71.9 mm[4.523 x 2.572 x 2.832 in]
--------------------------------------	--

### Usage Conditions

Operating Temperature Range	-30 – 75 °C
-----------------------------	-------------

### Operation/Application

Option	Dust-Tight Gasketing
Mode of Operation	Off-Delay

### Other

Repeatability (Max)	±5%
---------------------	-----

### Product Compliance

[For compliance documentation, visit the product page on TE.com>](#)

EU RoHS Directive 2011/65/EU	Not Compliant
EU ELV Directive 2000/53/EC	Not Compliant
China RoHS 2 Directive MIIT Order No 32, 2016	Restricted Materials Above Threshold
EU REACH Regulation (EC) No. 1907/2006	Current ECHA Candidate List: JAN 2019 (197) Candidate List Declared Against: JAN 2019 (197)
Halogen Content	Not Yet Reviewed for halogen content
Solder Process Capability	Not applicable for solder process capability

#### Product Compliance Disclaimer

This information is provided based on reasonable inquiry of our suppliers and represents our current actual knowledge based on the information they provided. This information is subject to change. The part numbers that TE has identified as EU RoHS compliant have a maximum concentration of 0.1% by weight in homogenous materials for lead, hexavalent chromium, mercury, PBB, PBDE, DBP, BBP, DEHP, DIBP, and 0.01% for cadmium, or qualify for an exemption to these limits as defined in the Annexes of Directive 2011/65/EU (RoHS2). Finished electrical and electronic equipment products will be CE marked as required by Directive 2011/65/EU. Components may not be CE marked. Additionally, the part numbers that TE has identified as EU ELV compliant have a maximum concentration of 0.1% by weight in homogenous materials for lead, hexavalent chromium, and mercury, and 0.01% for cadmium, or qualify for an exemption to these limits as defined in the Annexes of Directive 2000/53/EC (ELV). Regarding the REACH Regulations, TE's information on SVHC in articles for this part number is still based on the European Chemical Agency (ECHA) 'Guidance on requirements for substances in articles' (Version: 2, April 2011), applying the 0.1% weight on weight concentration threshold at the finished product level. TE is aware of the European Court of Justice ruling of September 10th, 2015 also known as O5A (Once An Article Always An Article) stating that, in case of 'complex object', the threshold for a SVHC must be applied to both the product as a whole and simultaneously to each of the articles forming part of its composition. TE has evaluated this ruling based on the new ECHA "Guidance on requirements for substances in articles" (June 2017, version 4.0) and will be updating its statements accordingly.

### Compatible Parts



TE Part # 2-1423162-9  
7022BK=RLY,STD,OFF,  
M2P,240VAC,

## Customers Also Bought



TE Part #320138  
TERMINAL,SOLIS R 2 1/4



TE Part #34112  
SOLIS R 22-16COMM 22-  
18MIL 10



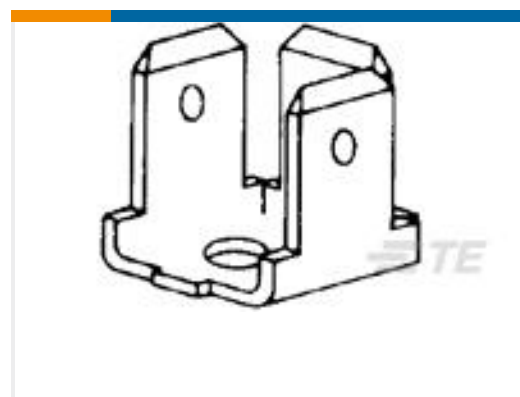
TE Part #42802-1  
FASTON .250 SERIES (6.3  
MM) TAB TPBR



TE Part #41480  
FASTON .250 SERIES (6.3  
MM) TAB TPBR



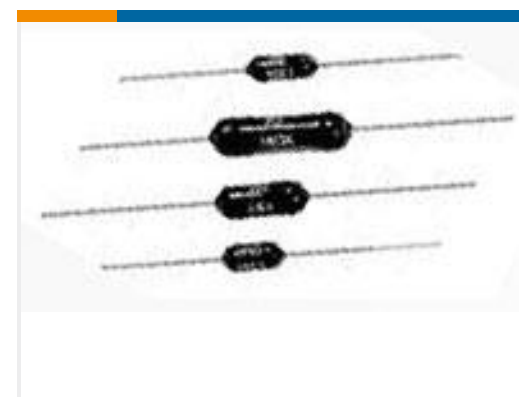
TE Part #323754  
SPLICE,SOLIS PARA HR 12-  
10



TE Part #62261-1  
FASTON .250 SERIES (6.3  
MM) TAB BR



TE Part #121397P024  
ES2000-NO.3-B8-0-STK



TE Part #2-1879664-1  
H8 1K87 0.1% 15PPM



TE Part #4-1437416-6  
SSB7FP150201=SSB7FP

## Documents

### Product Drawings

7022REM=RLY,STD,OFF,2P,60VDC,

English

### Datasheets & Catalog Pages

5-1773450-5\_sec12\_7000

English

## X-ON Electronics

Largest Supplier of Electrical and Electronic Components

*Click to view similar products for [Time Delay & Timing Relays](#) category:*

*Click to view products by [TE Connectivity](#) manufacturer:*

Other Similar products are found below :

[7012GD](#) [7012L10BN](#) [7012L10DY1N](#) [7012L10FN](#) [7012L10HN](#) [7012L26K](#) [7012L8AI2LLSN](#) [7012L8BN](#) [7012L8KN](#) [7012OBILM](#)  
[7012OIT](#) [7012PALL](#) [7012PDM](#) [7012PFX](#) [7022L10DN](#) [7022L8BN](#) [7022L8EN](#) [7022L8HN](#) [7022X3D](#) [7024NB](#) [7024SCT](#) [88256455](#) [H3BG-](#)  
[N8H](#) [AC110V](#) [H3CRF8AC2448DC1248](#) [1423151-3](#) [1423154-8](#) [1423462-7](#) [1423618-6](#) [1423151-5](#) [1423156-7](#) [1423618-4](#) [2112AH1SDC947](#)  
[2122DH1NJC467](#) [2122DH1PE](#) [2-1617805-2](#) [2-1617805-6](#) [K61C-08](#) [286XCXC-300-24D](#) [SCBRX022XXACXAC991](#) [SHS10S110A](#)  
[SHS20M220A](#) [1755074-5](#) [SSC12AKA](#) [FAASPRING2](#) [2112DH3NDC50-13](#) [2122DH34NDC629](#) [2-1437479-8](#) [2-1617805-1](#) [2-1617805-3](#) [2-](#)  
[1617805-7](#)