



CII

TE Part # 4-1423164-9

TE Internal #: 7022SJ

[View on TE.com >](#)

Relays, Contactors & Switches > Relays > Time Delay Relays



Type of Control: **Knob**

Contact Current Rating: **10A@240VAC A**

Mode of Operation: **Off-Delay**

Multiple Timing Ranges: **Without**

Mounting Type: **Mounting Bracket**

Features

Product Type Features

| | |
|------------------|--------------------------|
| Product Type | Relay |
| Relay Type | Time Delay |
| Product Category | Electromechanical Relays |

Configuration Features

| | |
|------------------------|---------|
| Multiple Timing Ranges | Without |
|------------------------|---------|

Contact Features

| | |
|------------------------|--------------|
| Type of Control | Knob |
| Contact Current Rating | 10A@240VAC A |

Mechanical Attachment

| | |
|---------------|------------------|
| Mounting Type | Mounting Bracket |
|---------------|------------------|

Operation/Application

| | |
|-------------------|-----------|
| Mode of Operation | Off-Delay |
|-------------------|-----------|

Product Compliance

[For compliance documentation, visit the product page on TE.com>](#)

| | |
|---|--------------------------------------|
| EU RoHS Directive 2011/65/EU | Not Compliant |
| EU ELV Directive 2000/53/EC | Not Compliant |
| China RoHS 2 Directive MIIT Order No 32, 2016 | Restricted Materials Above Threshold |

EU REACH Regulation (EC) No. 1907/2006

Current ECHA Candidate List: JAN 2019
(197)

Candidate List Declared Against: JAN 2019
(197)

Halogen Content

Not Yet Reviewed for halogen content

Solder Process Capability

Not applicable for solder process capability

Product Compliance Disclaimer

This information is provided based on reasonable inquiry of our suppliers and represents our current actual knowledge based on the information they provided. This information is subject to change. The part numbers that TE has identified as EU RoHS compliant have a maximum concentration of 0.1% by weight in homogenous materials for lead, hexavalent chromium, mercury, PBB, PBDE, DBP, BBP, DEHP, DIBP, and 0.01% for cadmium, or qualify for an exemption to these limits as defined in the Annexes of Directive 2011/65/EU (RoHS2). Finished electrical and electronic equipment products will be CE marked as required by Directive 2011/65/EU. Components may not be CE marked. Additionally, the part numbers that TE has identified as EU ELV compliant have a maximum concentration of 0.1% by weight in homogenous materials for lead, hexavalent chromium, and mercury, and 0.01% for cadmium, or qualify for an exemption to these limits as defined in the Annexes of Directive 2000/53/EC (ELV). Regarding the REACH Regulations, TE's information on SVHC in articles for this part number is still based on the European Chemical Agency (ECHA) 'Guidance on requirements for substances in articles' (Version: 2, April 2011), applying the 0.1% weight on weight concentration threshold at the finished product level. TE is aware of the European Court of Justice ruling of September 10th, 2015 also known as O5A (Once An Article Always An Article) stating that, in case of 'complex object', the threshold for a SVHC must be applied to both the product as a whole and simultaneously to each of the articles forming part of its composition. TE has evaluated this ruling based on the new ECHA "Guidance on requirements for substances in articles" (June 2017, version 4.0) and will be updating its statements accordingly.

Compatible Parts

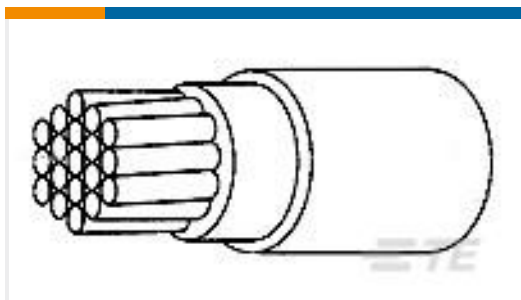


TE Part # 1-1423159-9
7012PB=RLY,STD,ON,2P,
125VDC, 5

Customers Also Bought



TE Part #324911-1
TERMINAL,SOLIS R 12-10
6 TAPE



TE Part #5394053001
100G0111-2.00-5



TE Part #1SNK916303R0000
JB16-3



TE Part #1SNK916310R0000
JB16-10



TE Part #6-1423162-2
7022CF=RLY,STD,OFF,2P,
480VAC,10MIN



TE Part #4-1423157-9
7012BFX=RLY,STD,ON,2P,
240VAC,



TE Part #8-1472969-6
7022PBX=RLY,STD,OFF,2P,
125V,5S,X OPT



TE Part #CQ10663001
100G0111-1.00-54



TE Part #CQ19753001
100G0111-2.00-54

Documents

Product Drawings

7022SJ=RLY, STD, OFF, 250 VDC

English

Datasheets & Catalog Pages

5-1773450-5_sec12_7000

English

X-ON Electronics

Largest Supplier of Electrical and Electronic Components

Click to view similar products for [Time Delay & Timing Relays](#) category:

Click to view products by [TE Connectivity](#) manufacturer:

Other Similar products are found below :

[5NO30](#) [614-11B-0A2](#) [614-11B-0A3](#) [614-11B-0A4](#) [614-11B-0A6](#) [614-11B-0A8](#) [614-11C-0A1](#) [614-11C-0A2](#) [614-11C-0A5](#) [614-11Q-0A3](#) [614-11Q-0A6](#) [614-11T-0A3](#) [614-11T-0A6](#) [614-11T-0A7](#) [614-12B-4A1](#) [614-12C-400](#) [614-12Q-400](#) [614-12T-600](#) [614-22T-4A1](#) [614-43B-400](#) [614-43C-100](#) [614-43F-200](#) [614-43Q-0A2](#) [614-43Q-100](#) [614-43Q-600](#) [614-43T-0A9](#) [614-43T-600](#) [614-43U-400](#) [614-43U-4A1](#) [614-43U-6A2](#) [615-21T-200](#) [655-11T-100](#) [655-11U-500](#) [655-12T-300](#) [655-22T-400](#) [655-22T-600](#) [CUA-41-30001](#) [CUA-41-30030](#) [CUA-41-70180](#) [CUA-41-71038](#) [CUA-42-30005](#) [CUA-42-30010](#) [CUA-42-30120](#) [CUA-42-70120](#) [CUA-99-72502](#) [CUC-41-30030](#) [CUF-42-30010](#) [CUH-41-31006](#) [7012AFX](#) [7012GD](#)