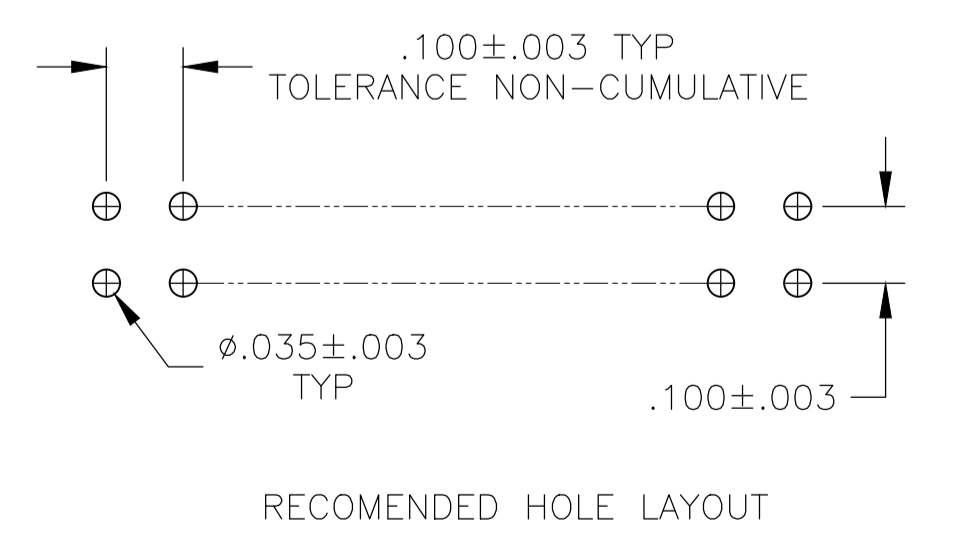
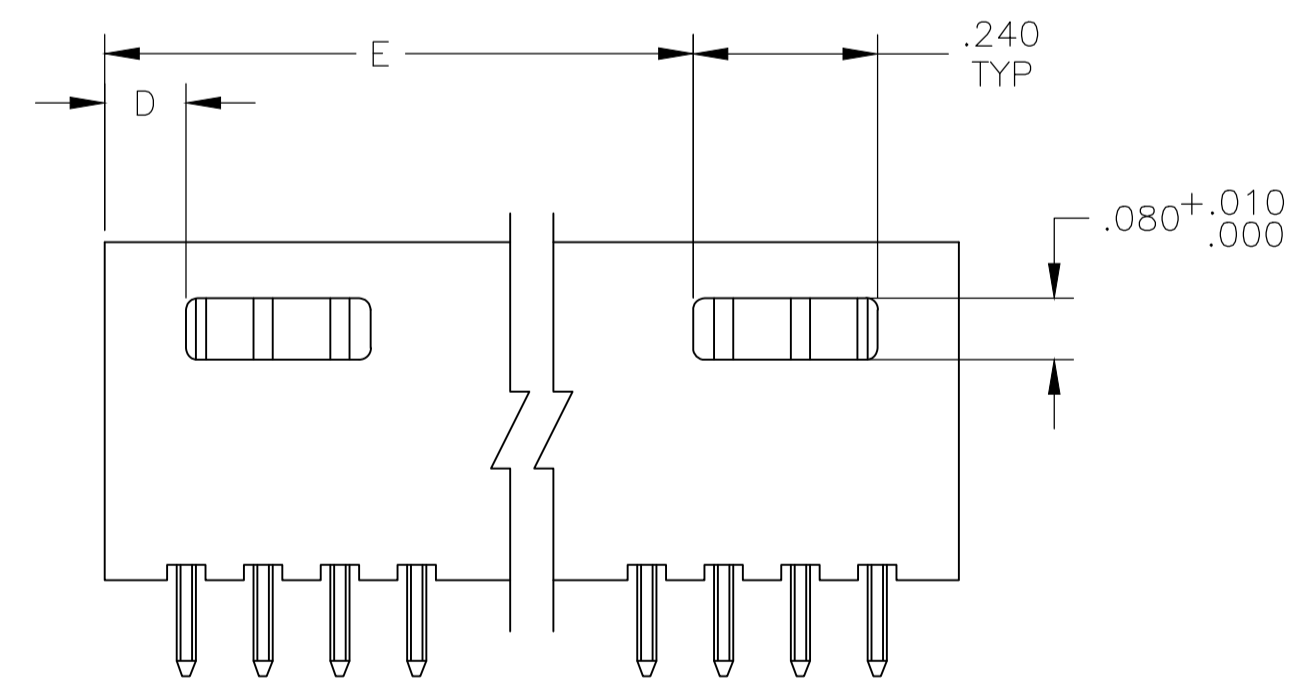
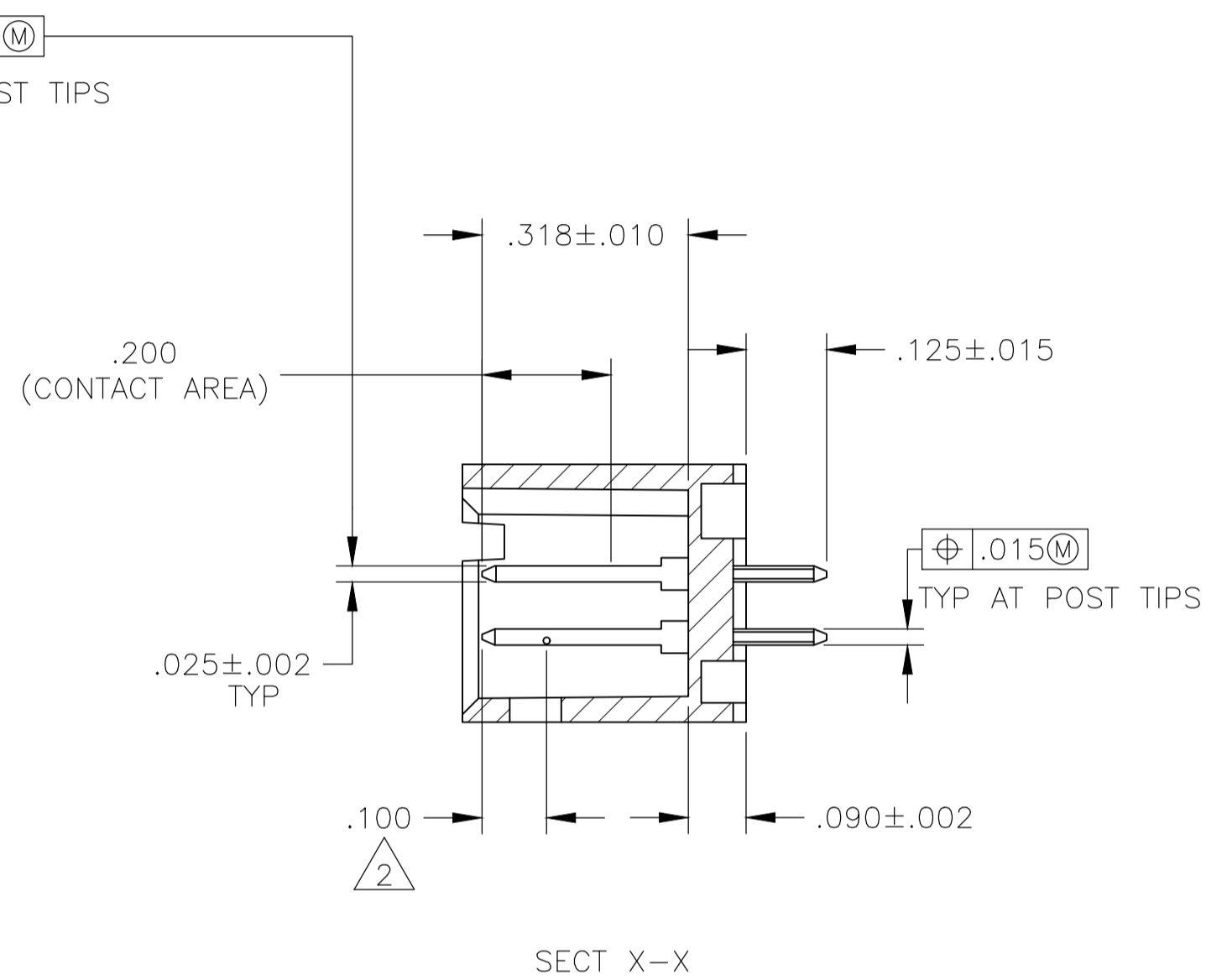
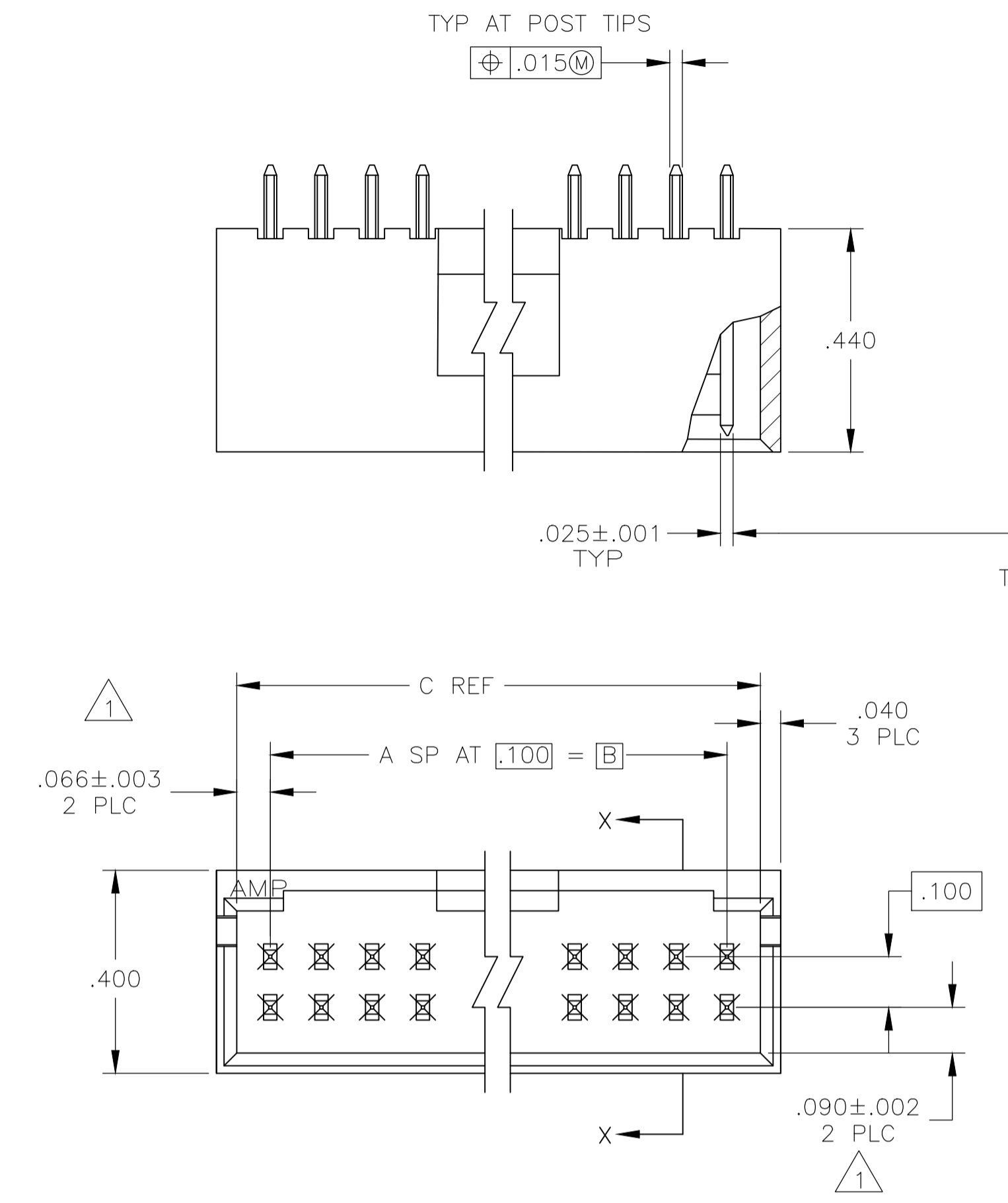


REVISIONS					
P	LTR	DESCRIPTION	DATE	DMN	APVD
L3		PART STATUS UPDATED IN PART LIST TABLE	09FEB2018	SD	PS

- 1 THE NOTED DIMENSIONS APPLY AT THE INTERSECTION OF THE POST AND HOUSING
- 2 POINT OF MEASUREMENT FOR PLATING THICKNESS
- 3 FINISH: POSTS:.000015 GOLD IN CONTACT AREA, .000100-.000200 MATTE TIN-LEAD ON SOLDER TAIL, ALL OVER .000050 NICKEL
- 4 FINISH: POSTS:.000015 GOLD IN CONTACT AREA, .000100-.000200 MATTE TIN ON SOLDER TAIL, ALL OVER .000050 NICKEL
- 5 MATERIALS: HOUSING- FLAME RETARDANT THERMOPLASTIC, COLOR-BLACK
POSTS- PHOS BRONZE
- 6 OBSOLETE PARTS: OBSOLETE CIS STREAMLINING PER D.RENAUD/D.SINISI



REV	DESCRIPTION	DATE	DMN	APVD	NO. OF POSN	ASSEMBLY PART NUMBER
8	102618-5				36	8-102618-5
8	102618-4				35	8-102618-4
8	102618-3				34	8-102618-3
8	102618-2				33	8-102618-2
8	102618-1				32	8-102618-1
8	102618-0				31	8-102618-0
7	102618-9				30	7-102618-9
7	102618-8				29	7-102618-8
7	102618-7				28	7-102618-7
7	102618-6				27	7-102618-6
7	102618-5				26	7-102618-5
7	102618-4				25	7-102618-4
7	102618-3				24	7-102618-3
7	102618-2				23	7-102618-2
7	102618-1				22	7-102618-1
7	102618-0				21	7-102618-0
6	102618-9				20	6-102618-9
6	102618-8				19	6-102618-8
6	102618-7				18	6-102618-7
6	102618-6				17	6-102618-6
6	102618-5				16	6-102618-5
6	102618-4				15	6-102618-4
6	102618-3				14	6-102618-3
6	102618-2				13	6-102618-2
6	102618-1				12	6-102618-1
6	102618-0				11	6-102618-0
5	102618-9				10	5-102618-9
5	102618-8				9	5-102618-8
5	102618-7				8	5-102618-7
5	102618-6				7	5-102618-6
5	102618-5				6	5-102618-5
5	102618-4				5	5-102618-4
5	102618-3				4	5-102618-3
5	102618-2				3	5-102618-2
5	102618-1				2	5-102618-1
3	102618-5				36	3-102618-5
3	102618-4				35	3-102618-4
3	102618-3				34	3-102618-3
3	102618-2				33	3-102618-2
3	102618-1				32	3-102618-1
3	102618-0				31	3-102618-0
2	102618-9				30	2-102618-9
2	102618-8				29	2-102618-8
2	102618-7				28	2-102618-7
2	102618-6				27	2-102618-6
2	102618-5				26	2-102618-5
2	102618-4				25	2-102618-4
2	102618-3				24	2-102618-3
2	102618-2				23	2-102618-2
2	102618-1				22	2-102618-1
2	102618-0				21	2-102618-0
1	102618-9				20	1-102618-9
1	102618-8				19	1-102618-8
1	102618-7				18	1-102618-7
1	102618-6				17	1-102618-6
1	102618-5				16	1-102618-5
1	102618-4				15	1-102618-4
1	102618-3				14	1-102618-3
1	102618-2				13	1-102618-2
1	102618-1				12	1-102618-1
1	102618-0				11	1-102618-0
1	102618-9				10	1-102618-9
1	102618-8				9	102618-8
1	102618-7				8	102618-7
1	102618-6				7	102618-6
1	102618-5				6	102618-5
1	102618-4				5	102618-4
1	102618-3				4	102618-3
1	102618-2				3	102618-2
1	102618-1				2	102618-1

SUP BY 5-102618-9

THIS DRAWING IS A CONTROLLED DOCUMENT.

APPROVED: LA MAYER	DATE: 4-9-87	 TE Connectivity
DESIGNED: R. FEIDT	DATE: 4-9-87	
PRODUCT SPEC	NAME	ASSEMBLY, HEADER, MOD II, .025 SQ POST, DBL ROW, .100 X .100 C/L WITH DETENTS
APPLICATION SPEC	SIZE	A1
WEIGHT	CAGE CODE	00779
SEE TABLE	DRAWING NO	102618
	CUSTOMER DRAWING	SCALE: 4:1 SHEET 1 OF 1 REV L3

X-ON Electronics

Largest Supplier of Electrical and Electronic Components

Click to view similar products for [Headers & Wire Housings](#) category:

Click to view products by [TE Connectivity](#) manufacturer:

Other Similar products are found below :

[892-18-020-10-001101](#) [58102-G61-06LF](#) [582553-1](#) [0009485154](#) [009176003701906](#) [0050291907](#) [LY20-4P-DT1-P1E-BR](#) [02.125.8002.8](#)
[609-3404](#) [61062-3](#) [61082-181009](#) [622-3653LF](#) [63453-116](#) [636-1030](#) [636-1427](#) [636-3427](#) [636-4007](#) [641938-9](#) [641991-4](#) [644827-2](#) [65817-](#)
[010LF](#) [65817-015LF](#) [65863-015LF](#) [66207-023LF](#) [67095-007LF](#) [67601157](#) [68645-018](#) [68648-049](#) [70.362.1628.0](#) [70-4210](#) [70-4226B](#) [70-](#)
[4853B](#) [707-5020](#) [707-5028](#) [71.350.2428.0](#) [71918-208LF](#) [71961-016LF](#) [733-134](#) [733-162](#) [754199-000](#) [760-3052](#) [787-8014-00](#) [79531-3000](#)
[FCN-360C032-B](#) [FCN-367T-T012/H](#) [FCN-723D010/2](#) [80.063.4001.1](#) [800-90-001-10-001000](#) [800-90-010-10-002000](#) [801-43-002-10-013000](#)