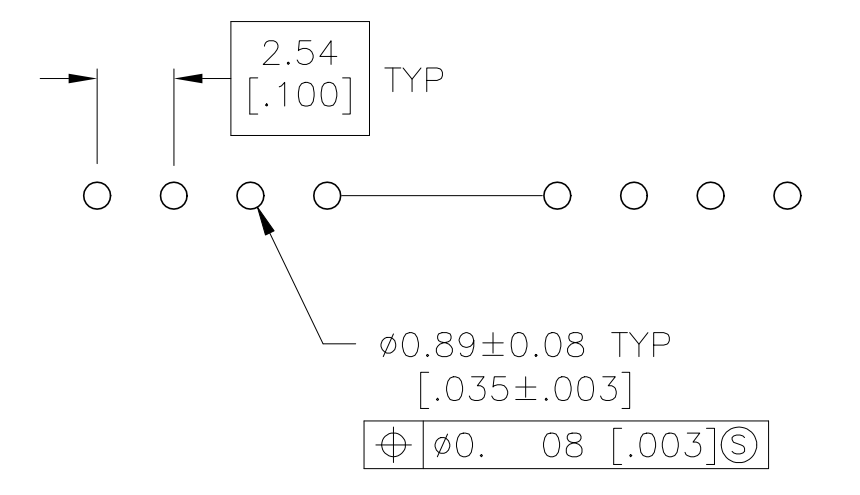
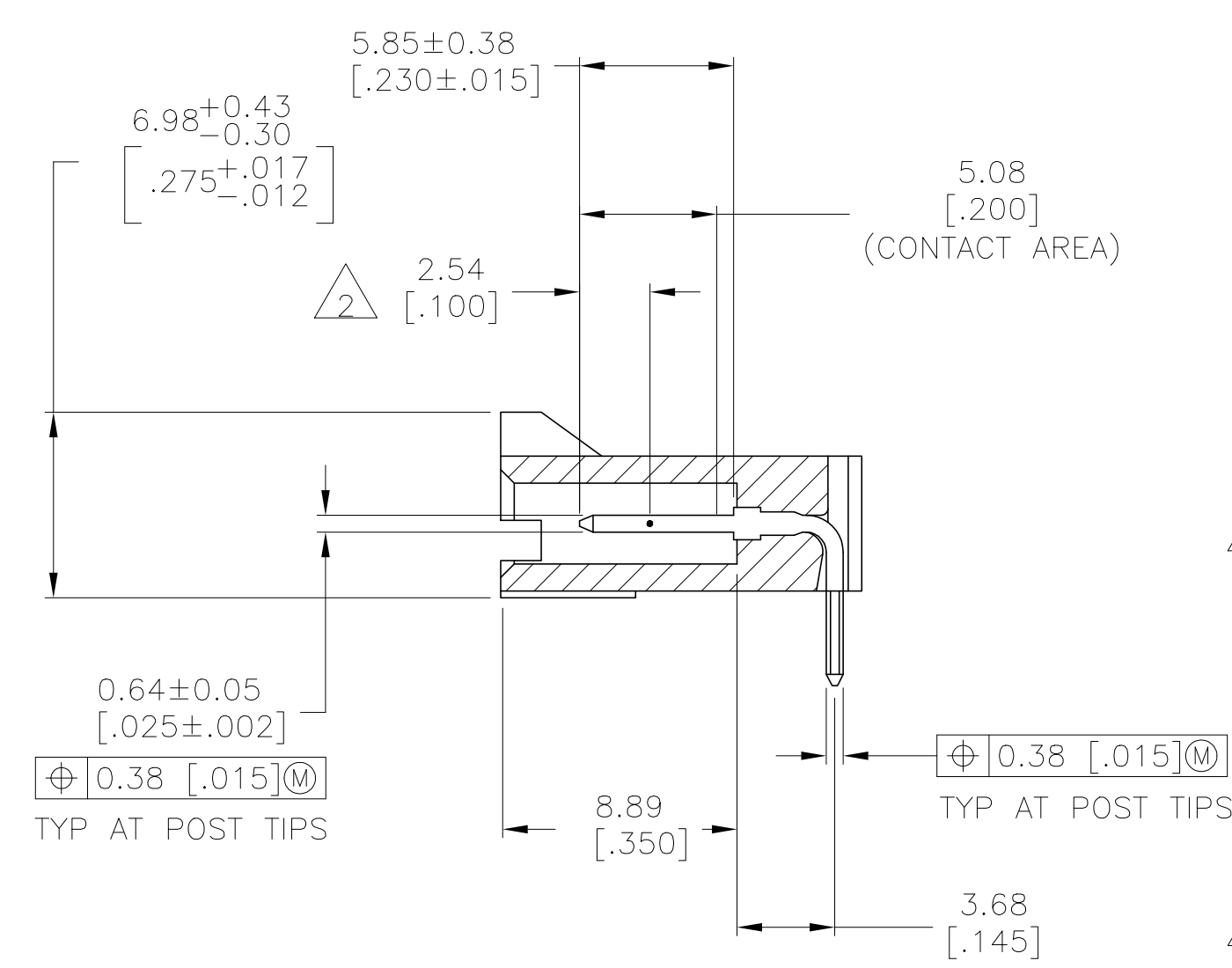
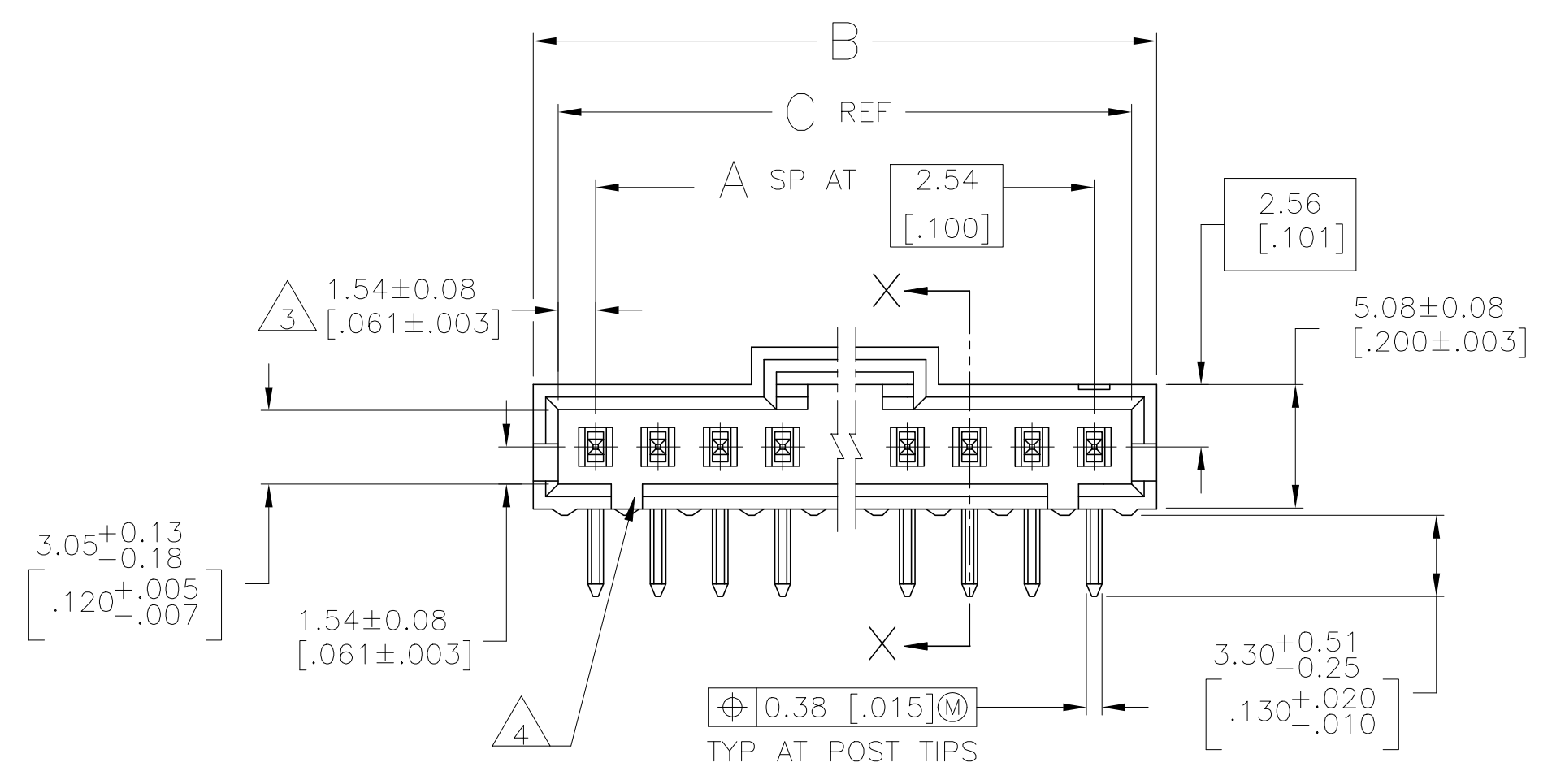
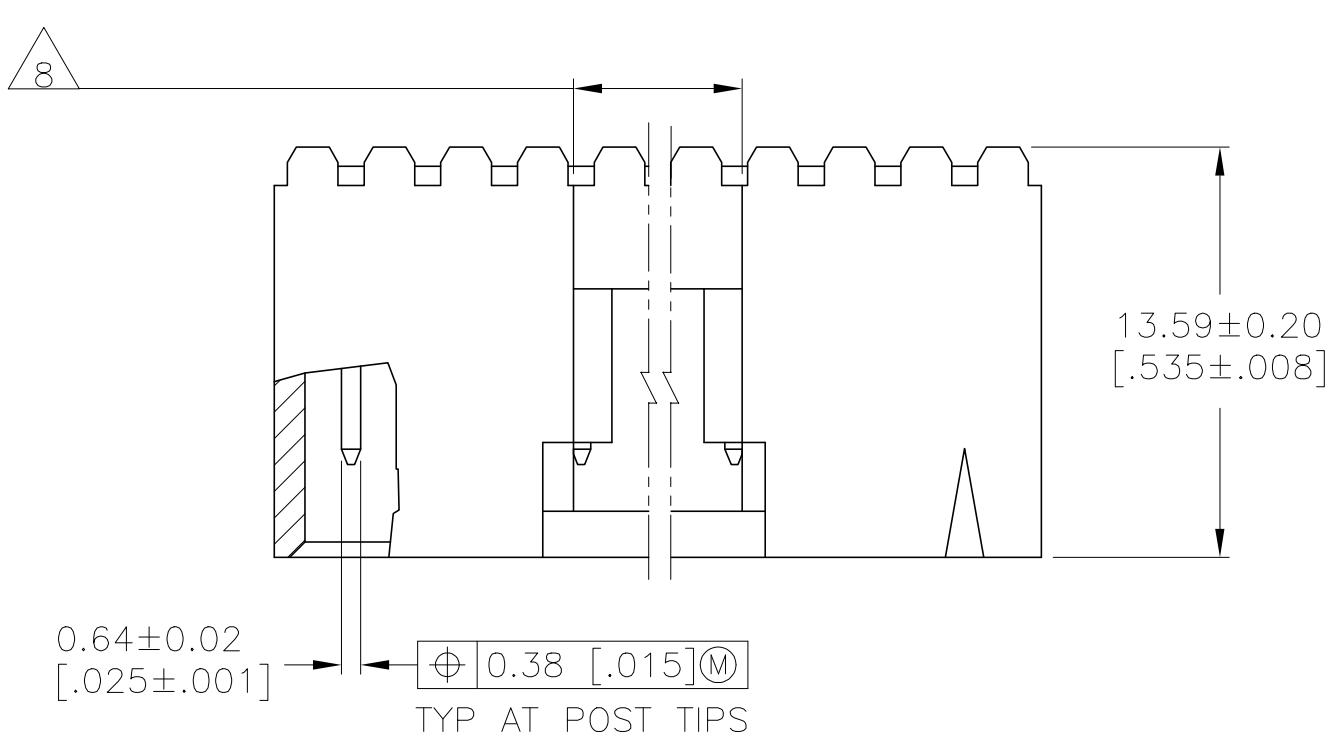


REVISIONS					
P	LTR	DESCRIPTION	DATE	DRN	APVD
T		REVISED PER ECO-17-002584	11APR2017	BDA	MM
U		REVISED PER ECO-20-001323	19JUN2020	SM	JO

- 1 .00038 [.000015] GOLD IN THE CONTACT AREA, .00254 [.000100] MATTE TIN-LEAD ON THE REMAINDER OF CONTACT, ALL OVER .00127 [.000050] NICKEL.
- 2 POINT OF MEASUREMENT FOR PLATING THICKNESS.
- 3 THE NOTED DIMENSIONS APPLY AT THE INTERSECTION OF THE POST AND THE HOUSING.
- 4 ON ASSEMBLIES WITH FOUR OR MORE POSITIONS, TWO POLARIZATION SLOTS. ON ASSEMBLIES WITH TWO OR THREE POSITIONS, ONE POLARIZATION SLOT.
- 5 .00038 [.000015] GOLD IN THE CONTACT AREA, .00254 [.000100] MATTE TIN ON THE REMAINDER OF CONTACT, ALL OVER .00127 [.000050] NICKEL.
- 6 HIGH TEMPERATURE CONFIGURATION
- 7 OBSOLETE PARTS: OBSOLETE CIS STREAMLINING PER D.RENAUD/D.SINISI
- 8 0.25 [.010] RECESS PERMISSIBLE IN THIS AREA FOR MOLD SHUT OFF



7 OBSOLETE
 7 SUPERSEDED BY 7-103635-1
 7 OBSOLETE
 7 OBSOLETE
 7 SUPERSEDED BY 6-103635-6

REMARK	PLATING	C	B	A	NO. OF POSN	PART NO.
1	64.01 [2.520]	65.91 [2.595]	24	25	2	103635-4
1	61.47 [2.420]	63.37 [2.495]	23	24	2	103635-3
1	58.93 [2.320]	60.83 [2.395]	22	23	2	103635-2
1	56.39 [2.220]	58.29 [2.295]	21	22	2	103635-1
1	53.85 [2.120]	55.75 [2.195]	20	21	2	103635-0
1	51.31 [2.020]	53.21 [2.095]	19	20	1	103635-9
1	48.77 [1.920]	50.67 [1.995]	18	19	1	103635-8
1	46.23 [1.820]	48.13 [1.895]	17	18	1	103635-7
1	43.69 [1.720]	45.59 [1.795]	16	17	1	103635-6
1	41.15 [1.620]	43.05 [1.695]	15	16	1	103635-5
1	38.61 [1.520]	40.51 [1.595]	14	15	1	103635-4
1	36.07 [1.420]	37.97 [1.495]	13	14	1	103635-3
1	33.53 [1.320]	35.43 [1.395]	12	13	1	103635-2
1	30.99 [1.220]	32.89 [1.295]	11	12	1	103635-1
1	28.45 [1.120]	30.35 [1.195]	10	11	1	103635-0
1	25.91 [1.020]	27.81 [1.095]	9	10	1	103635-9
1	23.37 [.920]	25.27 [.995]	8	9	1	103635-8
1	20.83 [.820]	22.73 [.895]	7	8	1	103635-7
1	18.29 [.720]	20.19 [.795]	6	7	1	103635-6
1	15.75 [.620]	17.65 [.695]	5	6	1	103635-5
1	13.21 [.520]	15.11 [.595]	4	5	1	103635-4
1	10.67 [.420]	12.57 [.495]	3	4	1	103635-3
1	8.13 [.320]	10.03 [.395]	2	3	1	103635-2
1	5.59 [.220]	7.49 [.295]	1	2	1	103635-1

THIS DRAWING IS A CONTROLLED DOCUMENT. DWN S. SHUEY 5-3-91
 DW L. CASTAGNA 27-3-91
 L. CASTAGNA 27-3-91

TE Connectivity

HDRASSY,RTANG,SGLEROW
 2.54[.100]C/L,0.64[.025]SOPST,
 WITHPLZN&LATCHING,AMPMODULETE

108-25034
 114-25026

SCALE 4:1 SHEET 1 OF 2 REV U

THIS DRAWING IS UNPUBLISHED. RELEASED FOR PUBLICATION
COPYRIGHT - By - ALL RIGHTS RESERVED.

REVISIONS						
P	LTR	DESCRIPTION	DATE	DRN	APVD	
-	-	SEE SHEET 1	-	-	-	-

		△6	△5	64.01 [2.520]	65.91 [2.595]	24	25	7-103635-4
		△6	△5	61.47 [2.420]	63.37 [2.495]	23	24	7-103635-3
△7	OBSOLETE	△6	△5	58.93 [2.320]	60.83 [2.395]	22	23	7-103635-2
		△6	△5	56.39 [2.220]	58.29 [2.295]	21	22	7-103635-1
△7	OBSOLETE	△6	△5	53.85 [2.120]	55.75 [2.195]	20	21	7-103635-0
		△6	△5	51.31 [2.020]	53.21 [2.095]	19	20	6-103635-9
△7	OBSOLETE	△6	△5	48.77 [1.920]	50.67 [1.995]	18	19	6-103635-8
		△6	△5	46.23 [1.820]	48.13 [1.895]	17	18	6-103635-7
		△6	△5	43.69 [1.720]	45.59 [1.795]	16	17	6-103635-6
		△6	△5	41.15 [1.620]	43.05 [1.695]	15	16	6-103635-5
		△6	△5	38.61 [1.520]	40.51 [1.595]	14	15	6-103635-4
		△6	△5	36.07 [1.420]	37.97 [1.495]	13	14	6-103635-3
		△6	△5	33.53 [1.320]	35.43 [1.395]	12	13	6-103635-2
		△6	△5	30.99 [1.220]	32.89 [1.295]	11	12	6-103635-1
		△6	△5	28.45 [1.120]	30.35 [1.195]	10	11	6-103635-0
		△6	△5	25.91 [1.020]	27.81 [1.095]	9	10	5-103635-9
		△6	△5	23.37 [.920]	25.27 [.995]	8	9	5-103635-8
		△6	△5	20.83 [.820]	22.73 [.895]	7	8	5-103635-7
		△6	△5	18.29 [.720]	20.19 [.795]	6	7	5-103635-6
		△6	△5	15.75 [.620]	17.65 [.695]	5	6	5-103635-5
		△6	△5	13.21 [.520]	15.11 [.595]	4	5	5-103635-4
		△6	△5	10.67 [.420]	12.57 [.495]	3	4	5-103635-3
		△6	△5	8.13 [.320]	10.03 [.395]	2	3	5-103635-2
		△6	△5	5.59 [.220]	7.49 [.295]	1	2	5-103635-1
	REMARKS		PLATING	C	B	A	NO. OF POSN	PART NO.

THIS DRAWING IS A CONTROLLED DOCUMENT.		DRN S. SHUEY 5-3-91	TE Connectivity	
DIMENSIONS: mm [INCHES]		DRW L. CASTAGNA 27-3-91	NAME	
TOLERANCES UNLESS OTHERWISE SPECIFIED:		APVD L. CASTAGNA 27-3-91	HDRASSY,RTANG,SGLEROW 2.54[.100]C/L.0.64[.025]SOPST. WITHPLZN&LATCHING,AMPMODUMTE	
0 PLC ± .05		PRODUCT SPEC	SIZE CAGE CODE DRAWING NO	
1 PLC ± .05		108-25034	A1 00779 C=103635	
2 PLC ± .05		APPLICATION SPEC	RESTRICTED TO	
3 PLC ± .05		114-25026	SCALE 1:1 SHEET 2 OF 2 REV U	
4 PLC ± .05		WEIGHT	CUSTOMER DRAWING	
ANGLES ± .05				
MATERIAL: HOUSING: PLATE RESISTANT COLOR: BLACK CONTACTS: BRASS		FINISH: SEE TABLE		

X-ON Electronics

Largest Supplier of Electrical and Electronic Components

Click to view similar products for [Headers & Wire Housings](#) category:

Click to view products by [TE Connectivity](#) manufacturer:

Other Similar products are found below :

[892-18-020-10-001101](#) [58102-G61-06LF](#) [582553-1](#) [0009485154](#) [009176003701906](#) [0050291907](#) [LY20-4P-DT1-P1E-BR](#) [02.125.8002.8](#)
[609-3404](#) [61062-3](#) [61082-181009](#) [622-3653LF](#) [63453-116](#) [636-1030](#) [636-1427](#) [636-3427](#) [636-4007](#) [641938-9](#) [641991-4](#) [644827-2](#) [65817-010LF](#) [65817-015LF](#) [65863-015LF](#) [66207-023LF](#) [67095-007LF](#) [67601157](#) [68645-018](#) [68648-049](#) [70.362.1628.0](#) [70-4210](#) [70-4226B](#) [70-4853B](#) [707-5020](#) [707-5028](#) [71.350.2428.0](#) [71918-208LF](#) [71961-016LF](#) [733-134](#) [733-162](#) [754199-000](#) [760-3052](#) [787-8014-00](#) [79531-3000](#)
[FCN-360C032-B](#) [FCN-367T-T012/H](#) [FCN-723D010/2](#) [80.063.4001.1](#) [800-90-001-10-001000](#) [800-90-010-10-002000](#) [801-43-002-10-013000](#)