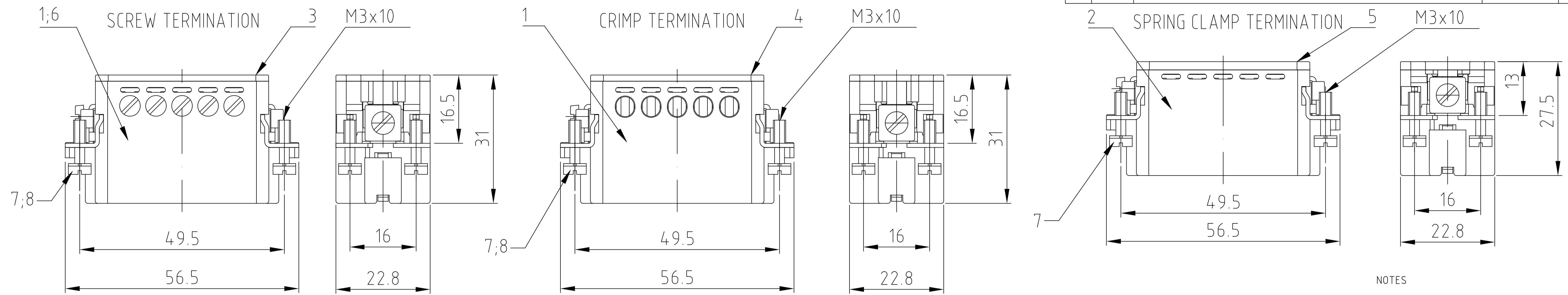


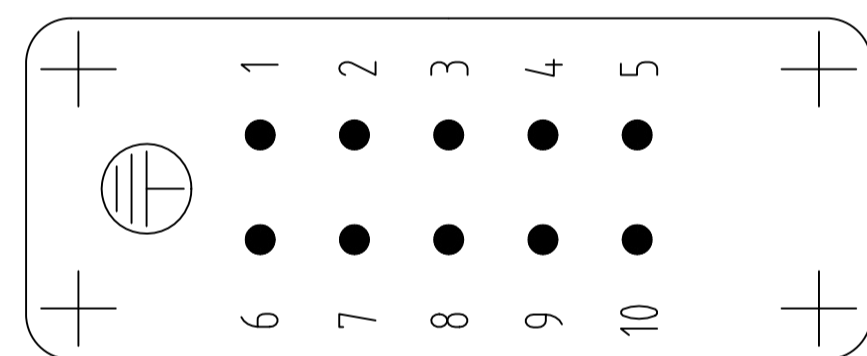
P	LTR	DESCRIPTION BESCHREIBUNG	DATE	DWN	APVD
D3	ECR-16-009336		08DEC16	GCM	MKO
D4	ECR-17-009069		09FEB2018	SG	MKO



NOTES

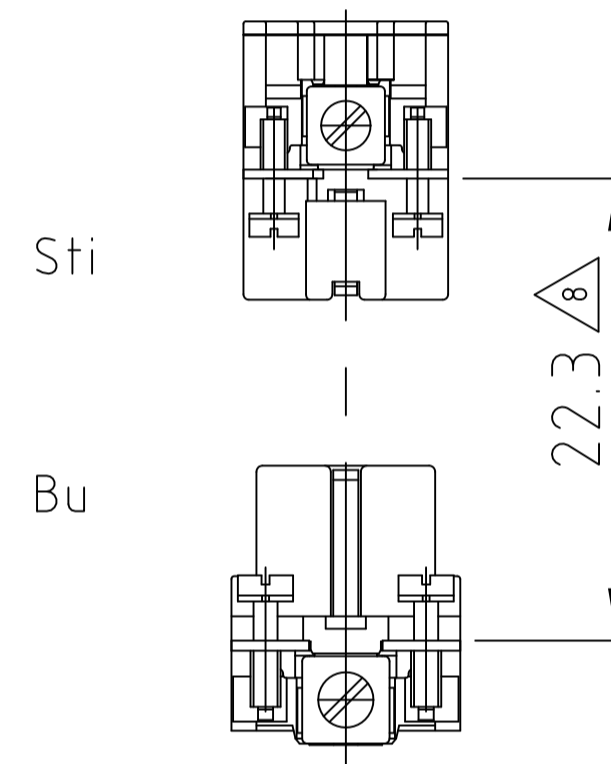
- SUITABLE CRIMP CONTACTS: SERIES HE/HA  
OUTER DIMENSIONS OF INSULATION: MAX. Ø3,2 MM
- SUITABLE HOOD SIZE 2: SERIES HA; HD  
SUITABLE INSERTION AND EXTRACTION TOOL:  
SCREWDRIVER 0,5x3 DIN 5264
- Strip length: Screw conection 10mm  
Spring clamp conection 10mm Crimp conection 7.5mm
- STANDARDS:  
DIN EN 61984; DIN EN 60664-1
- PACKAGING  
10 SETS IN A CARTON, PRE-MOUNTED
- SPECIAL PACKAGING  
200 PIECES IN A KANN-BAN BOT
- SPECIAL PACKAGING  
100 PIECES IN A KANN-BAN BOT

Contact arrangement / view from termination side

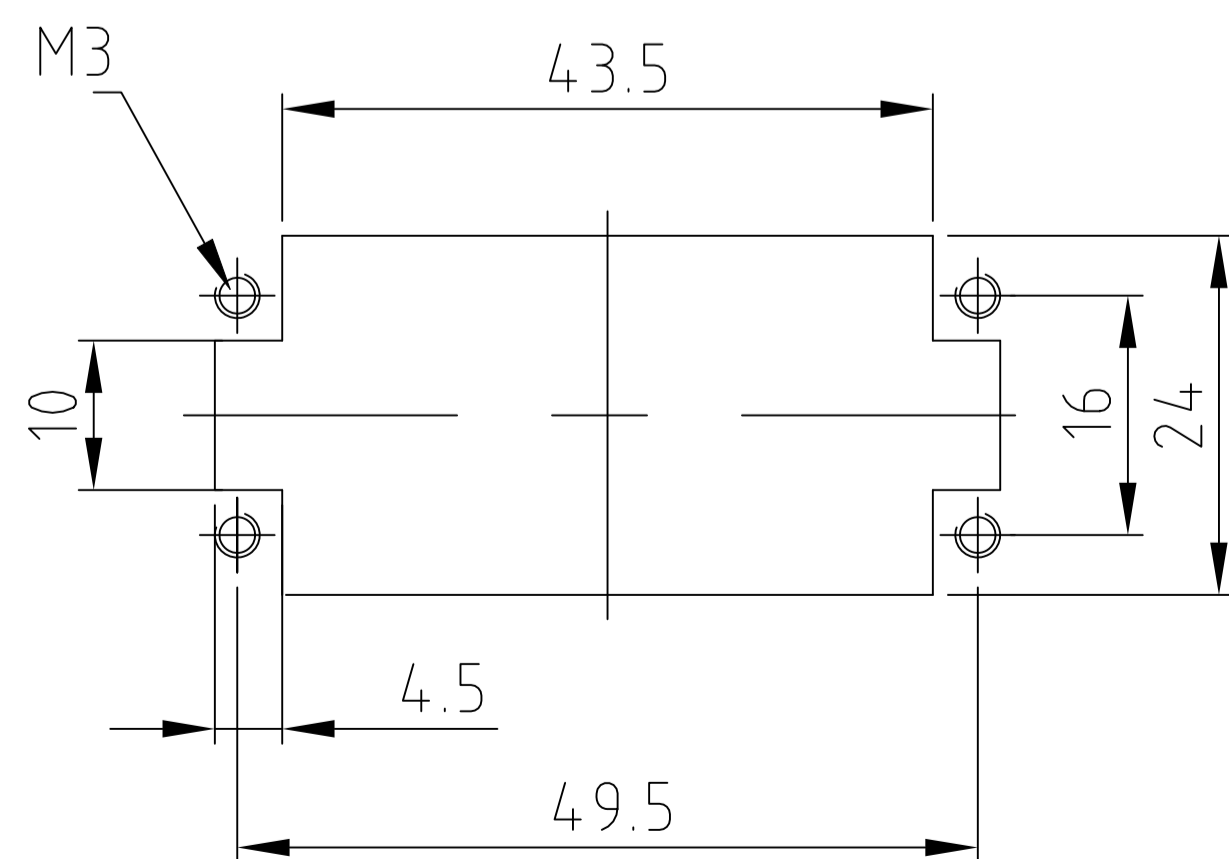


Assembling instruction

distance for safety  
contact marking max. 24 mm



Panel cut-out for contact insert  
when used without housing



HA.10.Sti.S-WIE	HA.10.Sti.C-OBS	HA.10.Sti.S-KM	HA.10.Sti.S-OBS	HA.10.Sti.S-VA	HA.10.Sti.S-AU	HA.10.Sti.C-VA	HA.10.Sti.SC	HA.10.Sti.C	HA.10.Sti.S
4	4		4	4	4	4	4	4	4
			1				1		
	1							1	
1	1	1	1	1				1	
							1		
1	1	1	1	1				1	1
1-2	1-0	0-9	0-8	0-4	0-6	0-5	7-1	2-3	1-1

DESCRIPTION / BENENNUNG	MATERIAL	Oberfläche	COLOR / FARBE	ITEM NO. POS.	REMARKS / BEMERKUNGEN
fixing screw	stainl.steel	blank		8	M3x10
fixing screw	steel	nickel plated	blue	7	M3x10
pin insert screw		PBT	hellbeige	6	with AU-contacts
cover spring strain clip		PBT	hellbeige	5	
cover crimp		PBT	helbeige	4	
cover screw		PBT	hellbeige	3	
pin insert spring strain clip		PBT	helbeige	2	
pin insert screw		PBT	helbeige	1	

THIS DRAWING IS A CONTROLLED DOCUMENT.  
DIESE ZEICHNUNG IST EIN KONTROLLIERTES DOKUMENT.

DIMENSIONS: MASSEINHEITEN: mm  
TOLERANCES UNLESS OTHERWISE SPECIFIED: ALLGEMEINTOLERANZEN

0 PLC ±  
1 PLC ±  
2 PLC ±  
3 PLC ±  
4 PLC ±  
ANGLES / WINKEL ±

ISO 8015  
DIN 150 2768  
DIN 16901 - 14.0

PRODUCT SPEC  
PRODUKTSPEZ.  
108-74007

APPLICATION SPEC  
VERARBEITUNGSSPEZ.  
114-74009

WEIGHT  
GEWICHT

WEIGHT GEWICHT

CUSTOMER DRAWING/KUNDENZEICHNUNG

SCALE MASSSTAB 1:1

SHEET BLATT 1 OF 1

REV D4

TE Connectivity

Pin insert  
Stifteinsatz HA.10.Sti

SIZE A3 CAGE CODE 00779 DRAWING NO ZEICHNUNGS-NR. C=1103414 RESTRICTED TO NUR FUER

## X-ON Electronics

Largest Supplier of Electrical and Electronic Components

*Click to view similar products for [Headers & Wire Housings](#) category:*

*Click to view products by [TE Connectivity](#) manufacturer:*

Other Similar products are found below :

[95000-104TRLF](#) [10135584-644402LF](#) [DF62W-EP2022PCA](#) [95000-106TRLF](#) [DF62W-2022SCA](#) [DF62W-EP2022PC](#) [2203348](#) [DF62W-2022SC](#) [1084018](#) [1029039](#) [1084017](#) [802-10-012-10-002000](#) [1112640](#) [1112639](#) [000-34000](#) [0009482033](#) [0009507031](#) [57102-S06-03LF](#) [57202-S52-04LF](#) [PCN6-15S-2.5E](#) [0039019024](#) [58102-G61-06LF](#) [582553-1](#) [0009508121](#) [0050291907](#) [018731A](#) [LY20-4P-DT1-P1E-BR](#) [02.125.8002.8](#) [60101931](#) [60598-1 \(Cut Strip\)](#) [M1625-3R/100](#) [61062-3](#) [61082-181009](#) [636-1427](#) [638009-1](#) [641938-9](#) [641991-4](#) [644168-1](#) [647662-1](#) [65039-019ELF](#) [65817-002LF](#) [65817-015LF](#) [65863-015LF](#) [66207-023LF](#) [67016-026LF](#) [67046-001LF](#) [67095-007LF](#) [68002-116](#) [68016-236H](#) [68648-049](#)