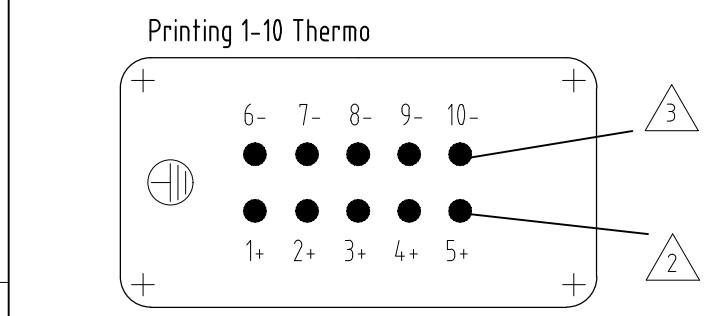
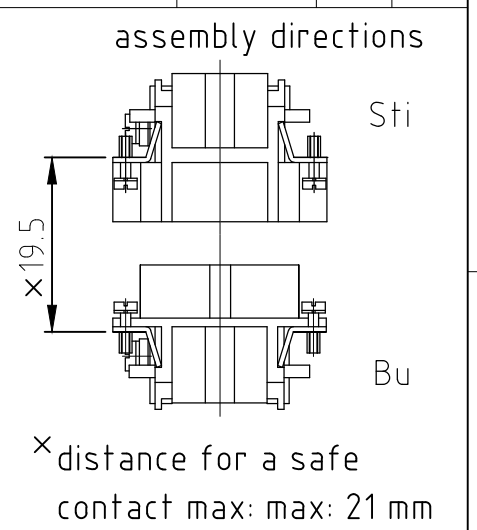
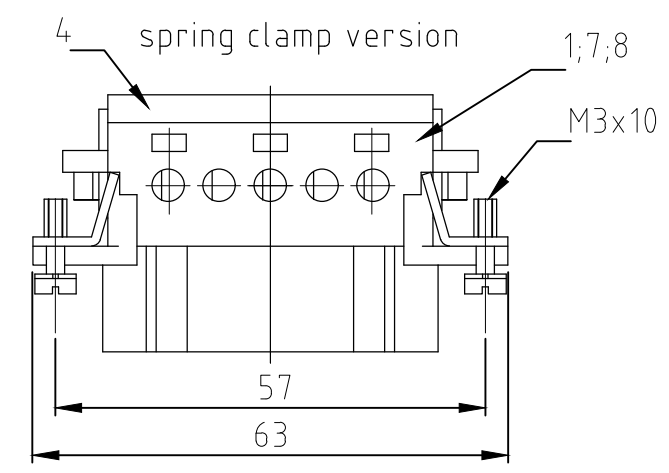
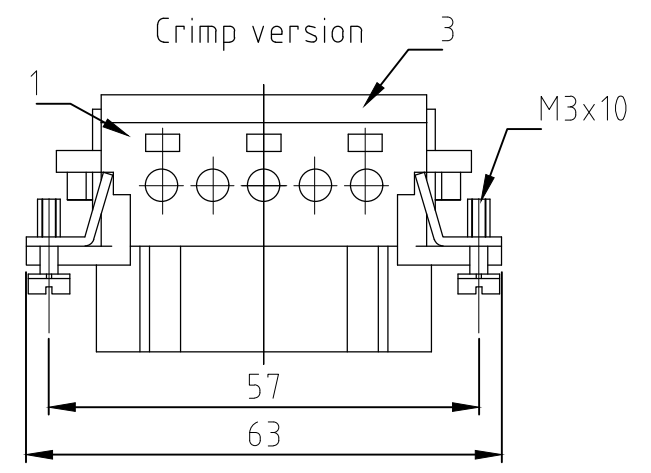
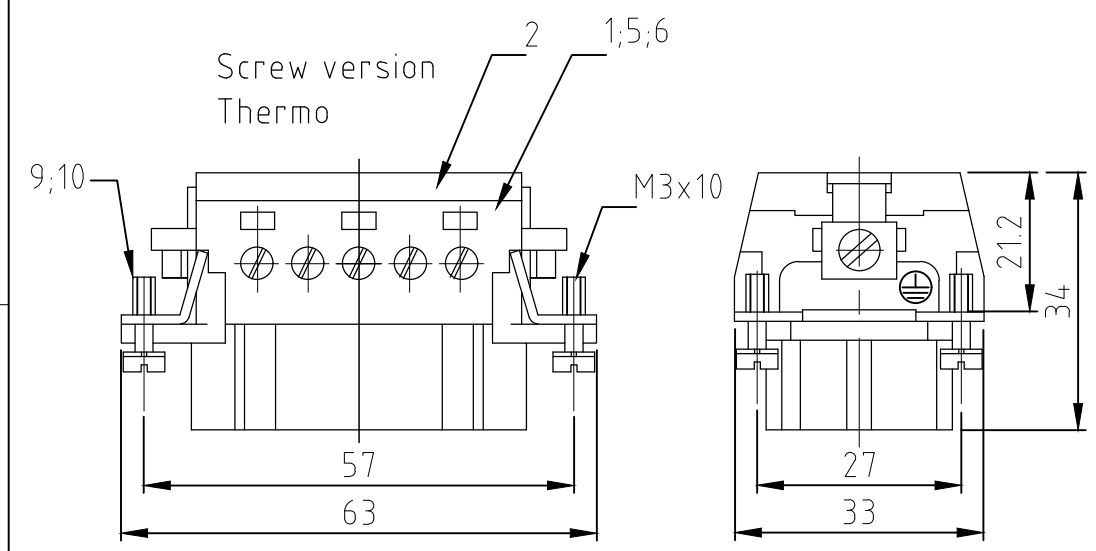


THIS DRAWING IS UNPUBLISHED.
VERTRAULICHE UNVERÖFFENTLICHTE ZEICHNUNG

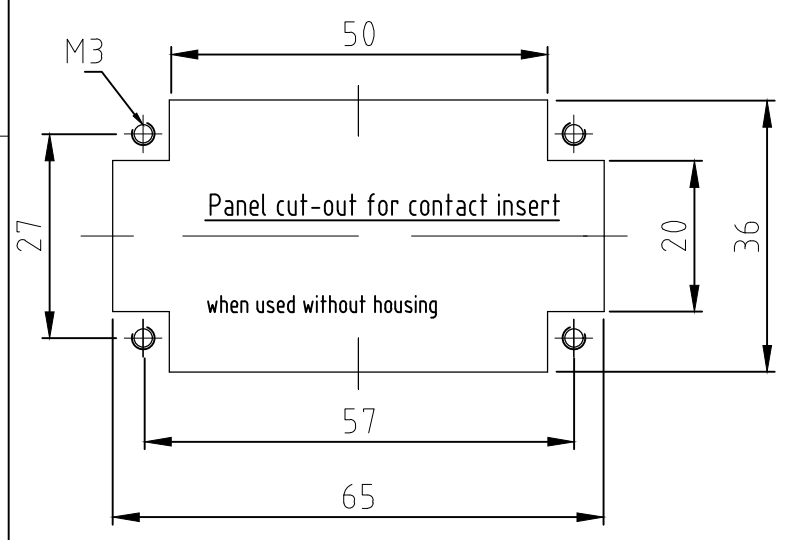
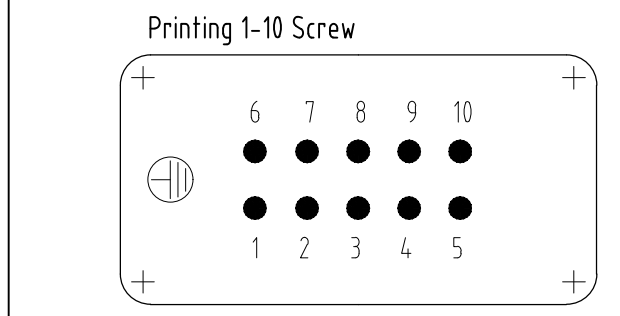
RELEASED FOR PUBLICATION
FREI FUER VERÖFFENTLICHUNG
ALL RIGHTS RESERVED.
ALLE RECHTE VORBEHALTEN

MATED WITH
PASSEND ZU:
HE.10

REVISIONS ÄNDERUNGEN		DATE	DWN	APVD
P	LTR	DESCRIPTION BESCHREIBUNG		
A10	ECR-17-009069		SG	MKO
A11	REVISED PER ECR-17-014412		NG	MKO



Contact arrangement
view from termination side



- NOTES:
- 1 SUITABLE CRIMP CONTACTS: SERIES HE/HA
OUTER DIMENSIONS OF INSULATION: MAX. Ø3,2 MM
 - SUITABLE HOOD SIZE 4: SERIES HB, HD, HIP, EMV
SUITABLE INSERTION AND EXTRACTION TOOL:
SCREWDRIVER 0,5x3 DIN 5264
 - Strip length: Screw connection 10mm
Spring clamp connection 10mm Crimp connection 7.5mm
 - STANDARDS:
DIN EN 61984; DIN EN 60664-1
 - PACKAGING:
5 SETS IN A CARTON, PRE-MOUNTED
 - SPECIAL PACKAGING: Krauss-Maffei
PACKAGING UNIT: 250 PIECES

OBSOLETE	OBSOLETE	OBSOLETE	SUPERSEDED BY T204,0103201-000	SUPERSEDED BY T204,0104,201-000	OBSOLETE	DESCRIPTION	MATERIAL	SURFACE	COLOR	ITEM NO. POS.	REMARKS
		4				fixing screw	stainless steel	even		10	M3x10
4	4	4	4	4	4	fixing screw	steel	nickel plated	blue	9	M3x10
10						contact socket spring clamp	brass	gold plated		8	
			10			contact socket spring clamp	brass	silver plated		7	
		10				contact socket screw version	brass	gold plated		6	
	10	10			10	contact socket screw version	brass	silver plated		5	
1			1			cover spring clamp version			light grey	4	
			1			cover crimp version			light grey	3	
	1	1	1		1	cover screw version			light grey	2	
1	1	1	1	1	1	socket insert			light grey	1	

HE.10.Bu.SC-AU	HE.10.Bu.S-KM	HE.10.Bu.S-VA	HE.10.Bu.S-AU	HE.10.Bu.SC	HE.10.Bu.C	HE.10.Bu.S-T	HE.10.Bu.S
0-3	0-2	0-1	9-5	7-1	2-3	1-7	1-1
4	4	4	4	4	4	4	4

ORDERING TEXT / BESTELLTEXT

THIS DRAWING IS A CONTROLLED DOCUMENT.
DIESE ZEICHNUNG IST EIN KONTROLLIERTES DOKUMENT.

DIMENSIONS: MASSE/NEHMEN: mm

TOLERANCES UNLESS OTHERWISE SPECIFIED: ALLGEMEINTOLERANZEN

0 PLC ± 0.150 0.015
1 PLC ± 0.2 0.020
2 PLC ± 0.3 0.030
3 PLC ± 0.4 0.040
4 PLC ± 0.5 0.050
ANGLES / WINKEL ± 0.5

MATERIAL: -

FINISH/OBERFLAECHE/FARBE: -

DWN Gräf 09.02.99
CHK Schweiger 18.02.99
APVD -

NAME: -

PRODUCT SPEC: -
APPLICATION SPEC: -

SIZE: A3 CAGE CODE: 00779 DRAWING NO: C-1103637
RESTRICTED TO NUR FUER: -

SCALE: 1:1 SHEET: 1 OF 1 REV: A11

CUSTOMER DRAWING/KUNDENZEICHNUNG

X-ON Electronics

Largest Supplier of Electrical and Electronic Components

Click to view similar products for [Heavy Duty Power Connectors](#) category:

Click to view products by [TE Connectivity](#) manufacturer:

Other Similar products are found below :

[647757-1](#) [6643411-1](#) [6646058-2](#) [6646137-1](#) [6646138-1](#) [6646479-1](#) [6646608-1](#) [6646786-1](#) [6646940-1](#) [6651091-1](#) [6651525-1](#) [6651529-1](#)
[6651788-1](#) [696475-1](#) [702-32-01109](#) [703-25-02205](#) [73000005059](#) [73000005642](#) [73080255059](#) [73080965046](#) [765-15-0080A](#) [765-16-0080B](#)
[765-18-0080D](#) [829992-1](#) [902-77-02113](#) [PS00/A0620/6300](#) [PS25/A0420/63](#) [129-1J](#) [1409400](#) [AN0024023](#) [E6374G1](#) [e6389g2](#) [157-43GW8](#)
[MS3117-14AC](#) [1643543-1](#) [1650540-1](#) [1651811-2](#) [1766260-1](#) [1766282-1](#) [1766966-1](#) [1791340000](#) [NLDFT-3-BL-L-S120-M40A](#) [NLDFT-N-](#)
[W-L-C240-M40B](#) [NLS-2-R-C240-M40B](#) [NLS-N-W-C240-M40B](#) [NPS-3-BL-T6](#) [1986615-1](#) [2-1589900-8](#) [2199314-1](#) [KA8102](#)