

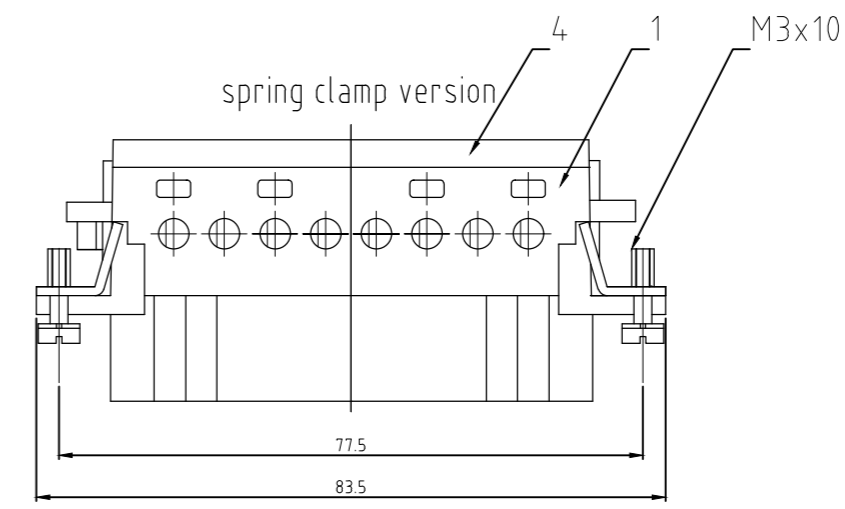
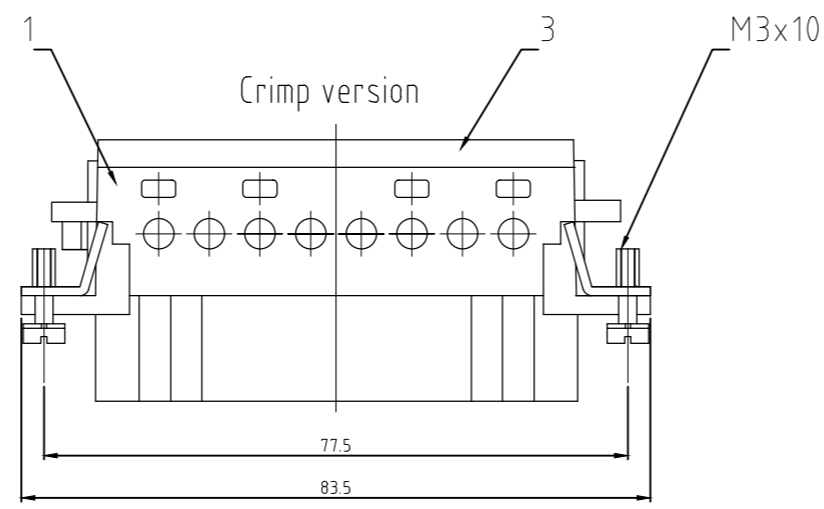
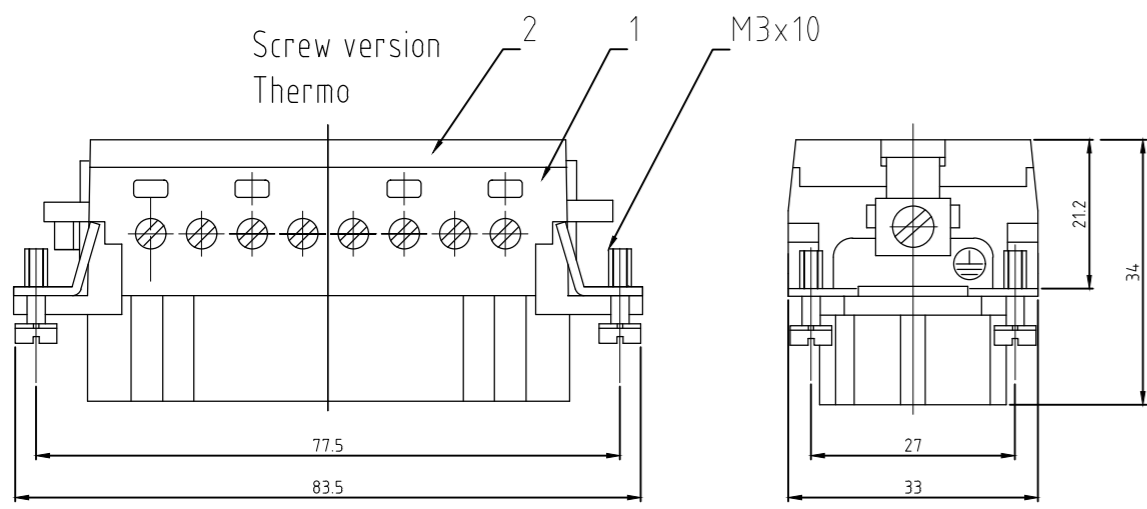
THIS DRAWING IS UNPUBLISHED.  
VERTRAULICHE UNVERÖFFENTLICHTE ZEICHNUNG

RELEASED FOR PUBLICATION  
FREI FUER VERÖFFENTLICHUNG  
ALL RIGHTS RESERVED.  
ALLE RECHTE VORBEHALTEN

MATED WITH:  
PASSEND ZU:  
HE

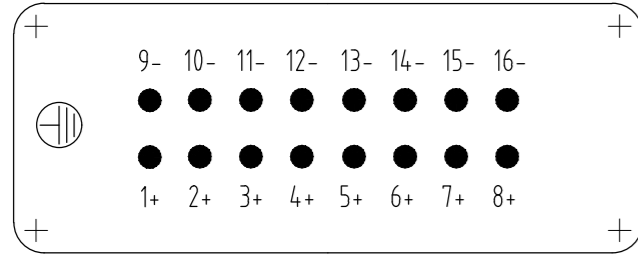
REVISIONS

P	LTR	DESCRIPTION BESCHREIBUNG	DATE	DWN	APVD
C12		ECR-17-014011	28MAR2018	SG	MKO

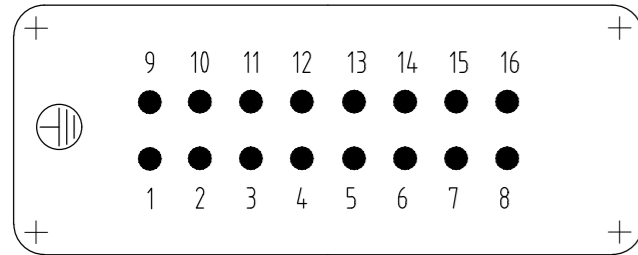


Contact arrangement view from termination side

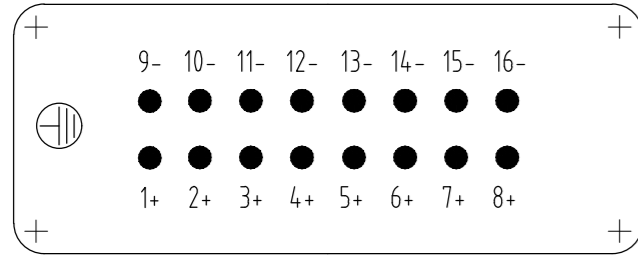
Printing 1-16 Thermo



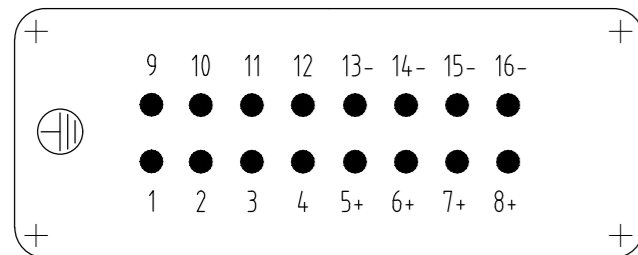
Printing 1-16 Screw



Printing 1-16 Thermo

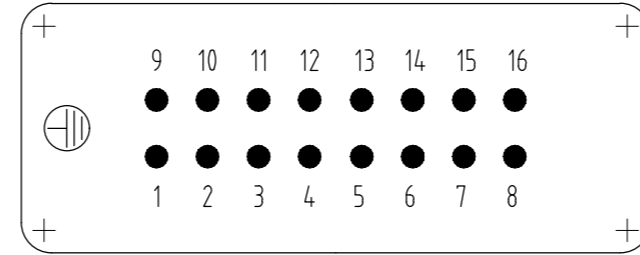


Printing 8+4+4 Screw/Thermo

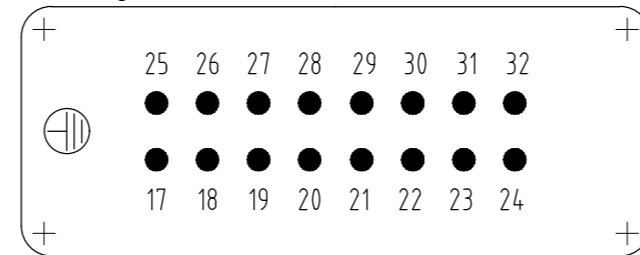


Contact arrangement view from termination side

Printing 1-16

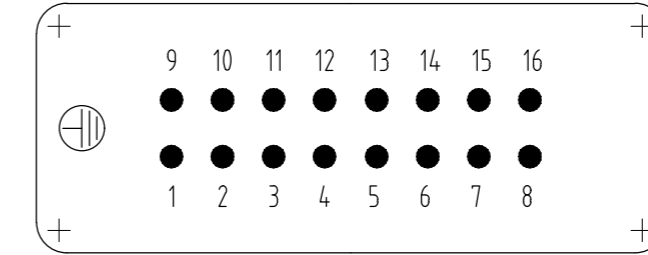


Printing 17-32

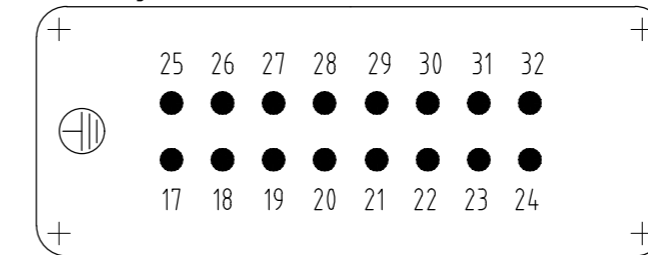


Contact arrangement view from termination side

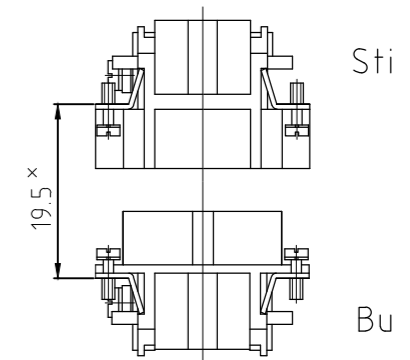
Printing 1-16



Printing 17-32



assembly directions

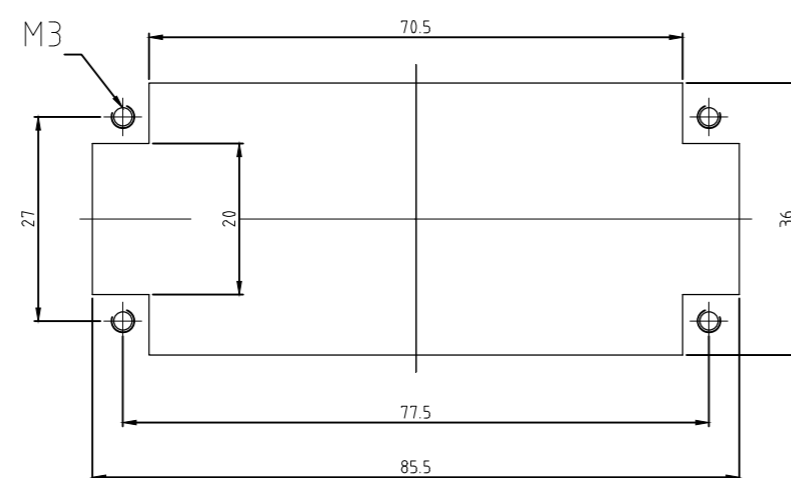


X distance for a safe contact max: max: 21 mm

NOTES:

- SUITABLE CRIMP CONTACTS: SERIES HE/HA  
OUTER DIMENSIONS OF INSULATION: MAX. Ø3,2 MM
- SUITABLE HOOD SIZE 6; 10; SERIES HB; HD;HIP,EMV  
SUITABLE INSERTION AND EXTRACTION TOOL:  
SCREWDRIVER 0,5x3 DIN 5264
- Strip lenght: Screw conection 10mm  
Spring clamp conection 10mm Crimp conection 7.5mm
- STANDARDS:  
DIN EN 61984; DIN EN 60664-1
- PACKAGING:  
5 SETS IN A CARTON, PRE-MOUNTED
- SPECIAL PACKAGING: Krauss-Maffei  
PACKAGING UNIT: 200 PIECES

Panel cut-out for contact insert when used without housing



HE.16.Bu.S.B1-16-KM	OBSOLETE								
HE.16.Bu.S-T-B-8-4-4	OBSOLETE								
HE.16.Bu.S-B-1-16-AU	OBSOLETE								
HE.16.Bu.S.C.B-17-32	SUPERSEDED BY T2040323201-000								
HE.16.Bu.S.C.B-1-16	SUPERSEDED BY T2040163201-000								
HE.16.Bu.C.B-17-32	OBSOLETE								
HE.16.Bu.C.B-1-16									
HE.16.Bu.S.B.17-32									
HE.16.Bu.S-T-B-1-16	OBSOLETE								
HE.16.Bu.S.B-1-16									

DESCRIPTION / BENENNUNG	MATERIAL	COLOR / FARBE	ITEM NO. POS.	REMARKS / BEMERKUNGEN
Deckel Federklemmversion		lichtgrau	4	
Deckel Crimpversion		lichtgrau	3	
Deckel Schraubversion		lichtgrau	2	
Buchseinsatz		lichtgrau	1	

THIS DRAWING IS A CONTROLLED DOCUMENT. DIESE ZEICHNUNG IST EIN KONTROLLIERTES DOKUMENT.		DWN	08.02.2000	 TE Connectivity Female insert HE.16.BU.C/S
DIMENSIONS: MASSENHETEN mm		CHK	08.02.2000	
TOLERANCES UNLESS OTHERWISE SPECIFIED: ALLGEMEINTOLERANZEN		APVD	-	
MATERIAL		NAME	-	
FINISH / OBERFLAECHE / FARBE		PRODUCT SPEC	-	SIZE
MATERIAL		APPLICATION SPEC. VERARBEITUNGSSPEZ.	-	CAGE CODE
MATERIAL		WEIGHT GEWICHT	-	DRAWING NO. ZEICHNUNGS-NR.
MATERIAL		CUSTOMER DRAWING / KUNDENZEICHNUNG	-	SCALE MASSTAB
MATERIAL		SCALE MASSTAB	1:1	SHEET BLATT
MATERIAL		SCALE MASSTAB	1:1	1 von 1
MATERIAL		SCALE MASSTAB	1:1	REV
MATERIAL		SCALE MASSTAB	1:1	C12

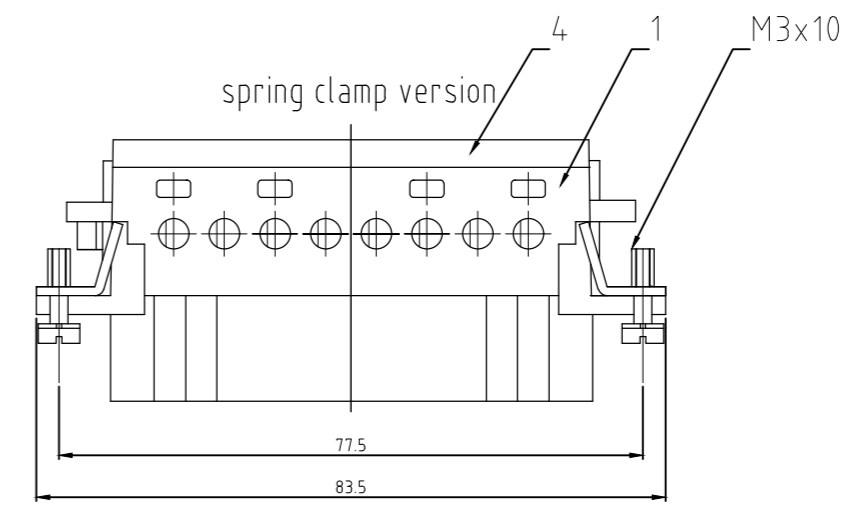
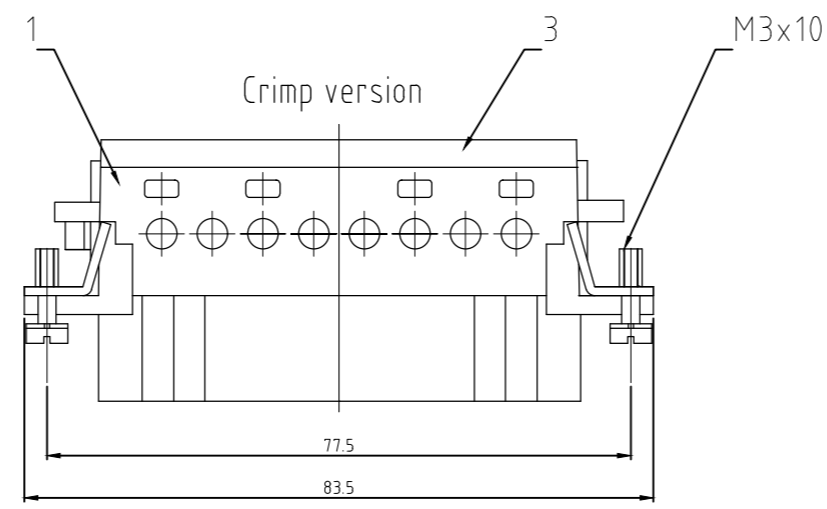
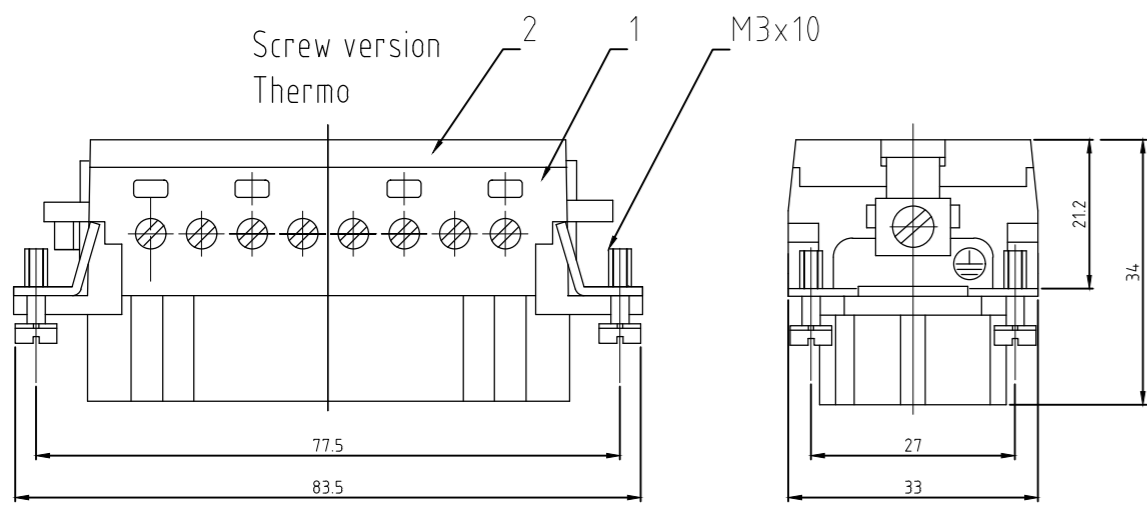
THIS DRAWING IS UNPUBLISHED.  
VERTRAULICHE UNVERÖFFENTLICHTE ZEICHNUNG

RELEASED FOR PUBLICATION  
FREI FUER VERÖFFENTLICHUNG  
ALL RIGHTS RESERVED.  
ALLE RECHTE VORBEHALTEN

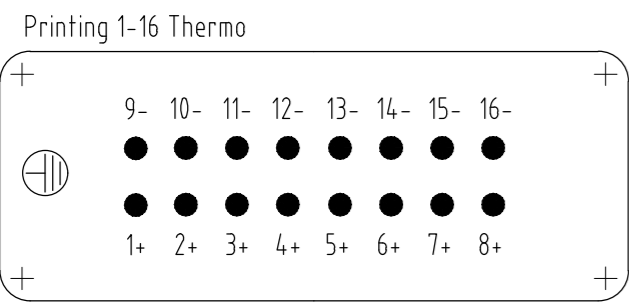
MATED WITH:  
PASSEND ZU:  
HE

REVISIONS

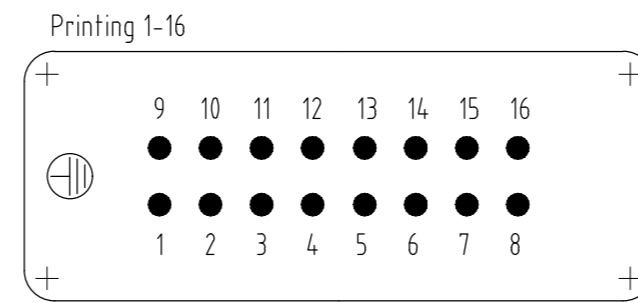
P	LTR	DESCRIPTION BESCHREIBUNG	DATE	DWN	APVD
C10	ECR-17-000919		10AUG2017	RG	MKO



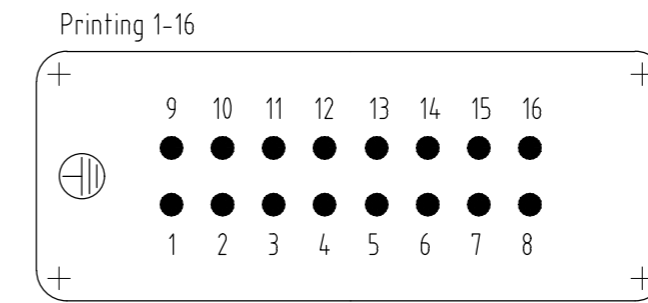
Contact arrangement view from termination side



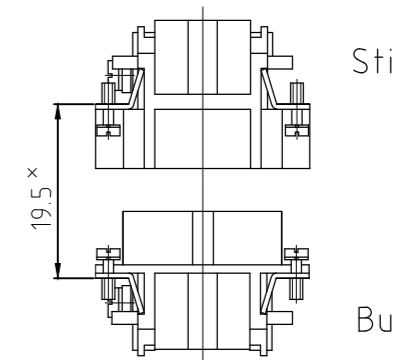
Contact arrangement view from termination side



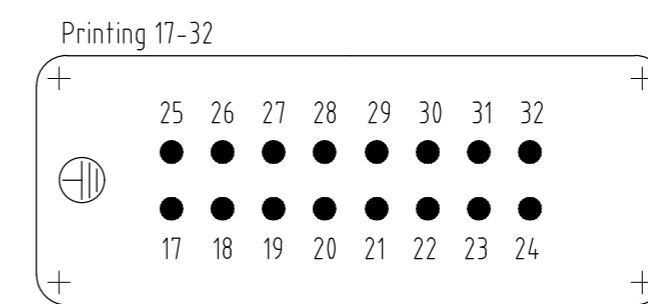
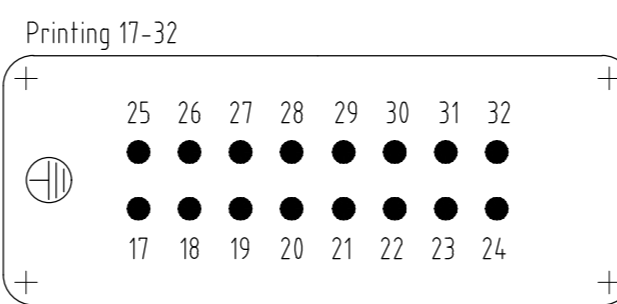
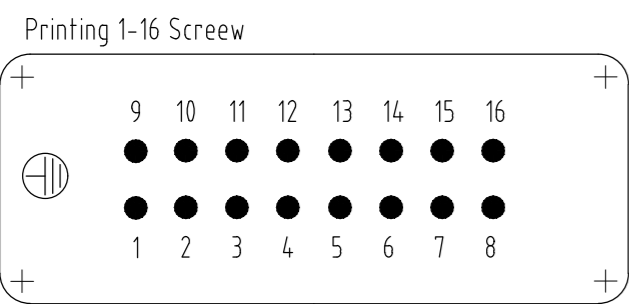
Contact arrangement view from termination side



assembly directions

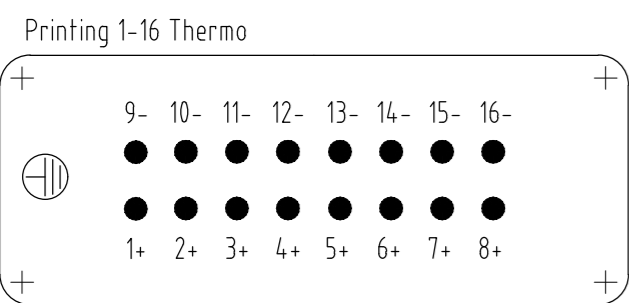


X distance for a safe contact max: max: 21 mm

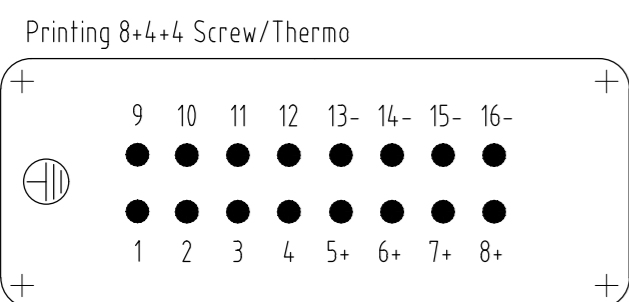
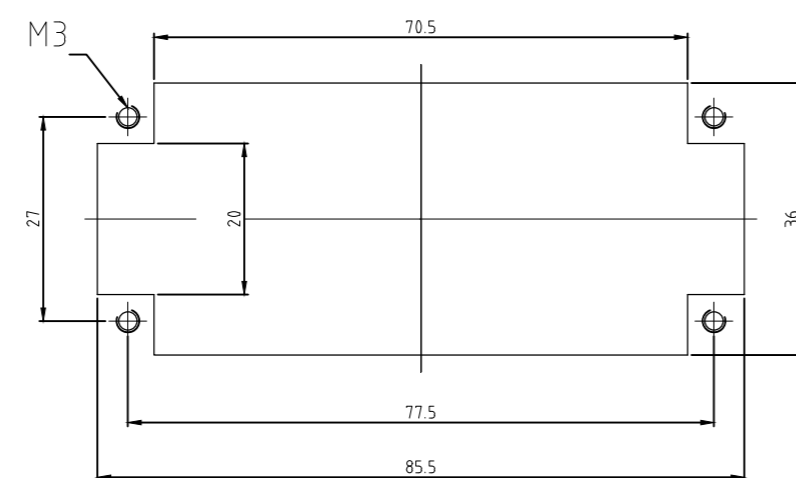


NOTES:

- SUITABLE CRIMP CONTACTS: SERIES HE/HA  
OUTER DIMENSIONS OF INSULATION: MAX. Ø3,2 MM
- SUITABLE HOOD SIZE 6; 10; SERIES HB; HD;HIP,EMV  
SUITABLE INSERTION AND EXTRACTION TOOL:  
SCREWDRIVER 0,5x3 DIN 5264
- Strip lenght: Screw conection 10mm  
Spring clamp conection 10mm Crimp conection 7.5mm
- STANDARDS:  
DIN EN 61984; DIN EN 60664-1
- PACKAGING:  
5 SETS IN A CARTON, PRE-MOUNTED
- SPECIAL PACKAGING: Krauss-Maffei  
PACKAGING UNIT: 200 PIECES



Panel cut-out for contact insert when used without housing



HE.16.Bu.S.B1-16-KM	OBSOLETE								
HE.16.Bu.S.-T.B.8+4+4	OBSOLETE								
HE.16.Bu.S.B1-16-AU	OBSOLETE								
HE.16.Bu.S.C.B.17-32	OBSOLETE								
HE.16.Bu.S.C.B.1-16	OBSOLETE								
HE.16.Bu.C.B.17-32									
HE.16.Bu.C.B.1-16									
HE.16.Bu.S.B.17-32									
HE.16.Bu.S.B.1-16									
HE.16.Bu.S.B.1-16									

DESCRIPTION / BENENNUNG	MATERIAL	COLOR / FARBE	ITEM NO. POS.	REMARKS / BEMERKUNGEN
Deckel Federklemmversion		lichtgrau	4	
Deckel Crimpversion		lichtgrau	3	
Deckel Schraubversion		lichtgrau	2	
Buchseinsatz		lichtgrau	1	

THIS DRAWING IS A CONTROLLED DOCUMENT. DIESE ZEICHNUNG IST EIN KONTROLLIERTES DOKUMENT.		DWN 08.02.2000		NAME Female insert HE.16.BU.C/S
DIMENSIONS: MASSENHETEN mm		CHK 08.02.2000		
TOLERANCES UNLESS OTHERWISE SPECIFIED: ALLGEMEINTOLERANZEN		APVD -		
0 PLC ± 0.1 1 PLC ± 0.2 2 PLC ± 0.3 3 PLC ± 0.4 4 PLC ± 0.5 ANGLES / WINKEL ± 0.5		PRODUCT SPEC PRODUKTSPEZ.	SIZE A2	CAGE CODE 00779
MATERIAL		FINISH / OBERFLAECHE / FARBE	DRAWING NO. ZEICHNUNGS-NR.	RESTRICTED TO NUR FUER
ORDERING TEXT / BESTELLTEXT			SCALE MASSTAB 1:1	REV C10
			SHEET BLATT 1 von 1	
			CUSTOMER DRAWING / KUNDENZEICHNUNG	

1103639

## X-ON Electronics

Largest Supplier of Electrical and Electronic Components

*Click to view similar products for [TE Connectivity](#) manufacturer:*

Other Similar products are found below :

[D38999/24FJ4AN](#) [570416-000](#) [CLTEQ-M81CE-SSRELAY-4-20V](#) [4-1195131-0](#) [650069-000](#) [SMD100-2](#) [358838-000](#) [CB-1022B-78](#)  
[RM707012](#) [RP410012](#) [MMS42](#) [1-640426-8](#) [2EDL4CM](#) [DTS20W19-11PD-3028-LC](#) [RM202615](#) [NC6-P104-06](#) [MSPS103B](#) [DTS26F21-](#)  
[41HE-LC](#) [DTS26F21-41AE](#) [DTS26F21-41PE-LC](#) [DTS26F21-11SE-3028-LC](#) [30DCB6](#) [1932144-1](#) [293545-4](#) [LVR125S](#) [MS27466T25F4PB](#)  
[CKB-38-78010](#) [TR04AI-TINELLOCKRING](#) [1206SFF150F/63-2](#) [D38999/20JB35HA](#) [TE1500A2R2J](#) [D38999/20WC8BB](#) [DTS24F19-11SC-](#)  
[3028-LC](#) [D38999/24WG11HA](#) [D38999/24WG11HN](#) [MS27467T21F11H](#) [DJT16E21-11HA](#) [MS27467T21F35J](#) [MS27467T21F11J](#)  
[MS27467T21F16H-LC](#) [MS27467T21F35H](#) [MS27467T21F41H-LC](#) [1206SFH150F/24-2](#) [RP330024](#) [DJT16E21-11PA-LC](#) [DJT16E21-11HA-](#)  
[LC](#) [DJT16E21-11AA](#) [MS27467T21B11JA](#) [DJT16E21-11JA](#) [MS27467T21B11JA-LC](#)