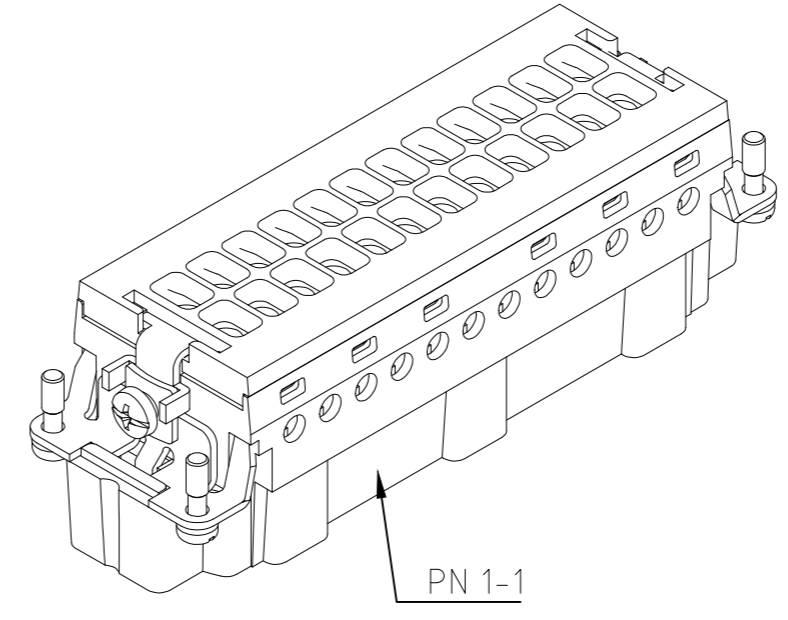
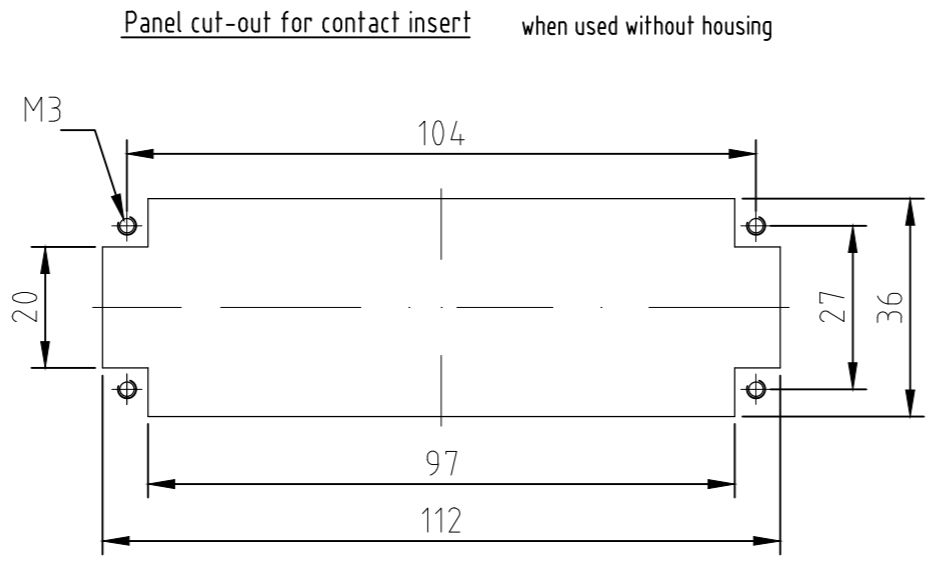
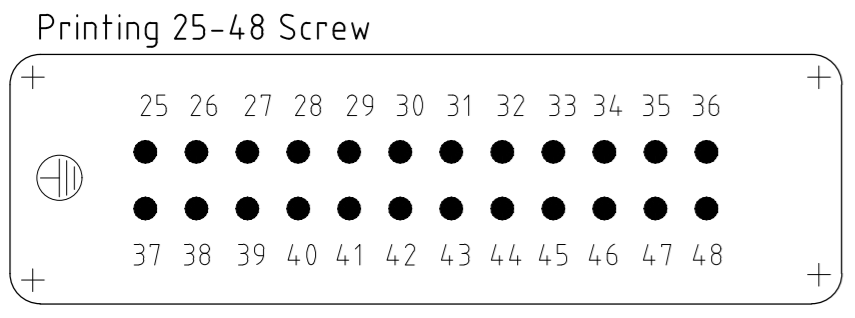
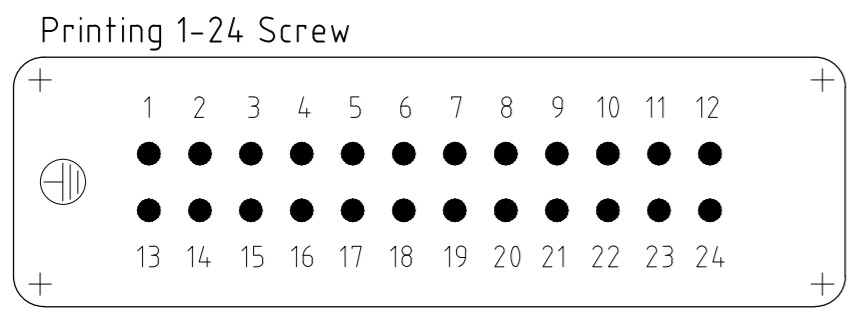
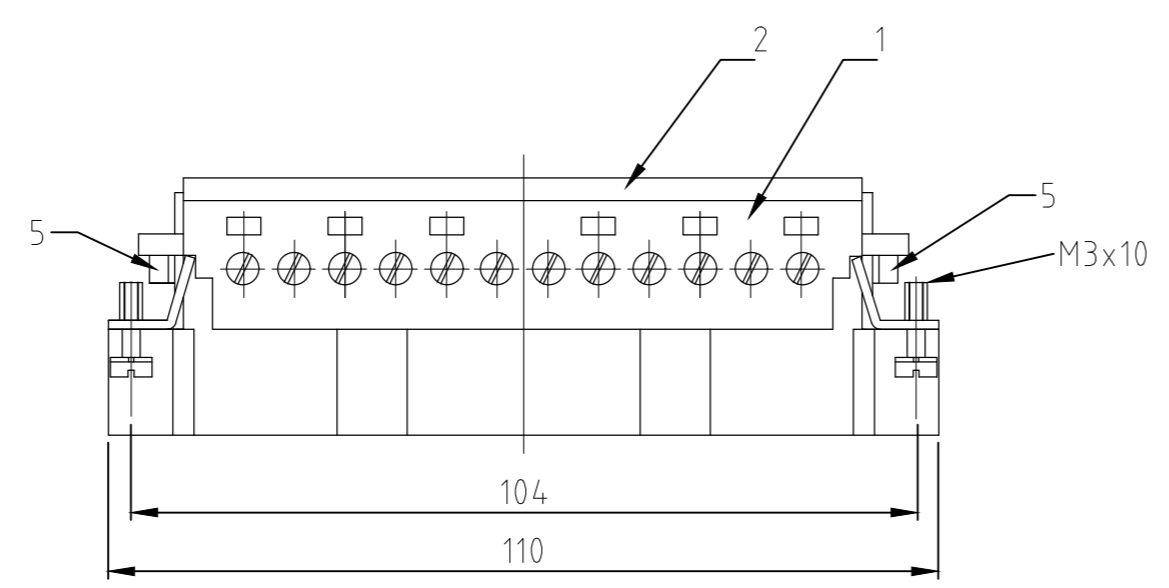
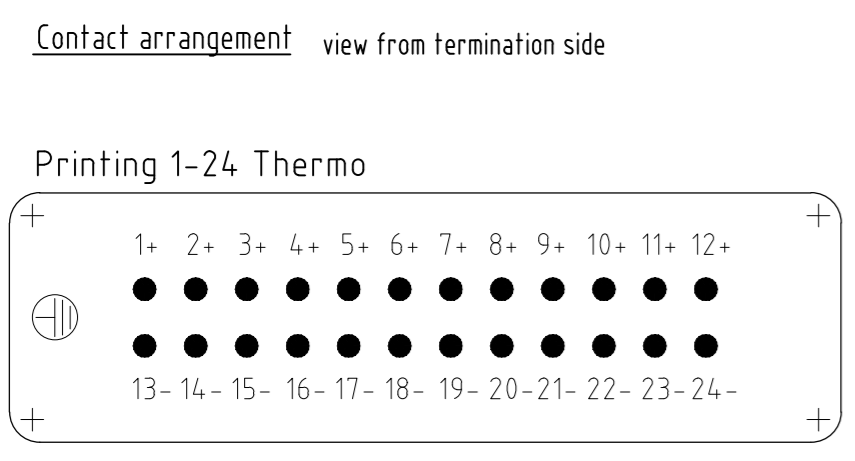
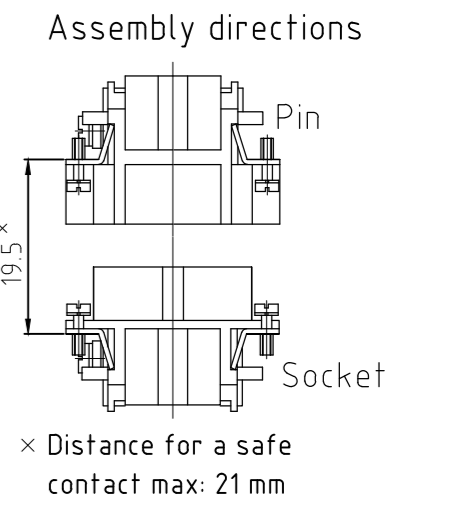
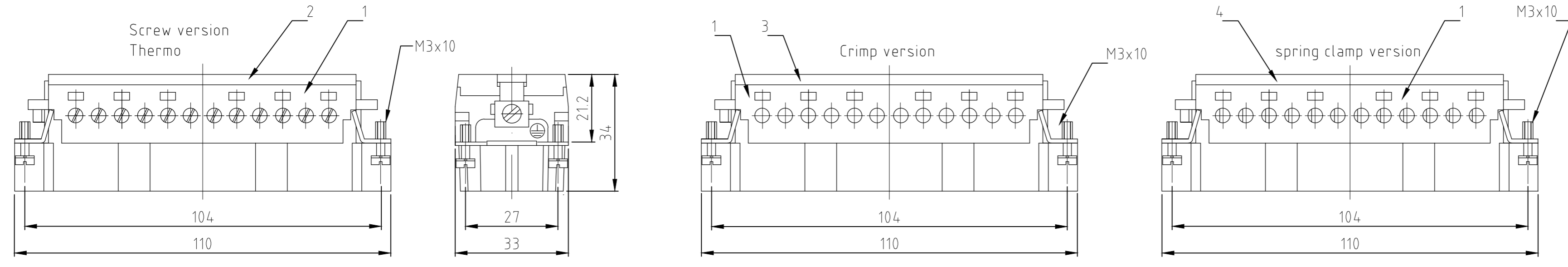


REVISIONS				
P	LTR	DESCRIPTION	DATE	DWN APVD
E5		REVISED PER ECR-17-014011	27MAR18	NG MKO



- NOTES:**
- 1 SUITABLE CRIMP CONTACTS: SERIES HE/HA  
OUTER DIMENSIONS OF INSULATION: MAX. Ø3,2 MM
  - 2 SUITABLE HOOD SIZE 8; 12; SERIES HB; HD; HIP; EMV  
SUITABLE INSERTION AND EXTRACTION TOOL:  
SCREWDRIVER 0,5x3 DIN 5264
  - 3 Strip length: Screw connection 10mm  
Spring clamp connection 10mm Crimp connection 7.5mm
  - 4 STANDARDS:  
DIN EN 61984; DIN EN 60664-1
  - 5 PACKAGING:  
5 SETS IN A CARTON, PRE-MOUNTED
  - 6 SPECIAL PACKAGING: Krauss-Maffei  
PACKAGING UNIT: 220 PIECES

2																				
1	1		1	1	1				1	1	1									
1-2	0-1	9-3	1-8	9-5	9-4	7-9	7-1	2-9	2-3	1-9	1-7	1-1								
HE-24-SH-S-B1-24+2ES																				
HE-24-SH-S-B1-24-KM																				
HE-24-SH-SC-AUB1-24																				
HE-24-SH-S-B-T-12+6+6																				
HE-24-SH-S-AUB1-24																				
HE-24-SH-S-AUB25-48																				
HE-24-SH-SC-B25-48																				
HE-24-SH-SCB1-24																				
HE-24-SH-C-B25-48																				
HE-24-SH-C-B1-24																				
HE-24-SH-S-B25-48																				
HE-24-SH-S-T-B1-24																				
HE-24-SH-S-B1-24																				

DESCRIPTION	MATERIAL	COLOR / FARBE	ITEM NO. POS.	NOTES
cover spring clamp version	steel	blue	5	M4x6
cover crimp version		light grey	4	
cover screw version		light grey	3	
pin insert		light grey	2	
			1	

DIMENSIONS:		TOLERANCES UNLESS OTHERWISE SPECIFIED:	
mm	mm	mm	mm
	0 PLC	0.2	0.1
	1 PLC	0.3	0.1
	2 PLC	0.4	0.1
	3 PLC	0.5	0.1
	4 PLC	0.6	0.1
	ANGLES		
	FINISH		

DWN	Schneider	08.02.2000	TE Connectivity Male insert HE.24.STI.S/C
CHK	Schweiger	08.02.2000	
APVD			
PRODUCT SPEC			
APPLICATION SPEC			
WEIGHT			
CUSTOMER DRAWING			

SCALE	SHEET	1 OF 1	REV
A2	00779	1103640	E5

1103640

## X-ON Electronics

Largest Supplier of Electrical and Electronic Components

*Click to view similar products for [Heavy Duty Power Connectors](#) category:*

*Click to view products by [TE Connectivity](#) manufacturer:*

Other Similar products are found below :

[1424439](#) [1424438](#) [09330062652](#) [605601-1](#) [6340G1](#) [6341G1](#) [6360G1](#) [6373G1](#) [6374g2](#) [6396G1](#) [647757-1](#) [6643411-1](#) [6646058-2](#) [6646137-1](#)  
[6646138-1](#) [6646348-1](#) [6646479-1](#) [6646608-1](#) [6646786-1](#) [6646940-1](#) [6651525-1](#) [6651529-1](#) [6651778-1](#) [6651788-1](#) [696465-1](#) [696475-1](#)  
[73000005059](#) [73000005349](#) [73000005642](#) [73080965046](#) [765-15-0080A](#) [765-16-0080B](#) [789.700-44](#) [789.700-54](#) [80-1010](#) [80-9](#) [827381-1](#)  
[829992-1](#) [902-77-02113](#) [PL00U-301-10D10](#) [PM103MOOLOO](#) [PM212MOOLOO](#) [PM309FOOLOO](#) [PM324FOOLCH](#) [PMHPAF11S03](#)  
[PMHPAF14S01](#) [PMHPAM14P05](#) [PMHPAS06](#) [PMHPBF14S01](#) [PP45PC12S](#)