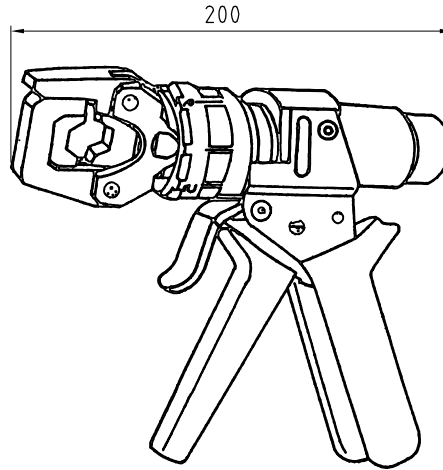


| LDC | | DIST | | REVISIONS | | | |
|-----|-----|---------------|--|-----------|-----|------|--|
| P | LTR | DESCRIPTION | | DATE | DWN | APVD | |
| | F | ECR-17-006155 | | 11MAY17 | LS | GS | |

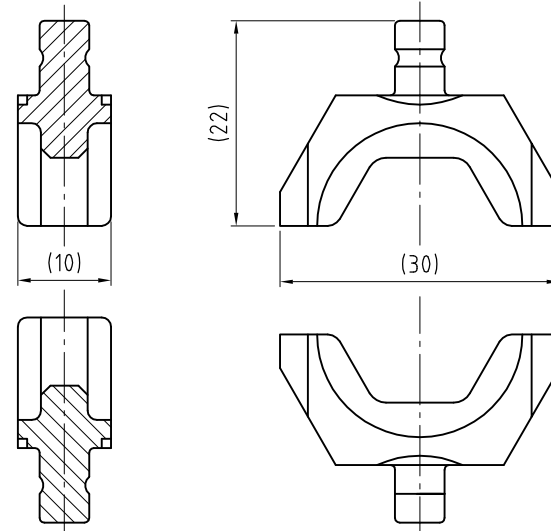
HYDRAULIC HANDTOOL, PRESS CAPACITY 30 KN
 HYDRAULISCHE HANDZANGE, PRESSKRAFT 30 kN
 (POS. 2 AS SHOWN / wie dargestellt)
 TYPE HP30



- GENERAL DATA**
 HYDRAULIC HAND-OPERATED TOOL
 HP 30 WITH H-COMPRESSION HEAD,
 ROTATING 360°
- SINGLE PISTON PUMP
 - FOR ONE HAND OPERATION
 - AUTO SAFETY RELIEFVALVE TO AVOID VERPRESSURE
 - FORCE OF PRESSURE: 35 kN

- Allgemeine Daten**
 Hydraulische Handzange HP 30
 mit H-Preßkopf, 360° drehbar
- Ein-Kolben-Pumpe
 - Für Einhandbenutzung
 - Automatisches Überdruck-Sicherheitsventil
 - Preßkraft: 35 kN

HEX DIE SET FOR HYDRAULIC HANDTOOL 30 KN, CONSISTING OF 2 HEX DIE SET COMPONENTS (AS SHOWN) / SECHSKANT-PRESSEINSATZ FÜR HYDR. HANDZANGE 30 KN, BESTEHEND AUS 2 PRESSEINSATZ-KOMPONENTEN (WIE GEZEICHNET)



| | | | | | |
|-----------|----|-------------|---|--------------------------|-----------------|
| 2,5 SQ.MM | - | 9-1105653-8 | D | OBSOLETE | BLACK / BRONZED |
| 70 SQ.MM | 16 | 8-1105653-8 | D | HEX DIE SET, 70MM 46235 | BLACK / BRONZED |
| 50 SQ.MM | 14 | 7-1105653-8 | C | HEX DIE SET, 50MM 46235 | BLACK / BRONZED |
| 35 SQ.MM | 12 | 6-1105653-8 | C | HEX DIE SET, 35MM 46235 | BLACK / BRONZED |
| 25 SQ.MM | 10 | 5-1105653-8 | C | HEX DIE SET, 25MM 46235 | BLACK / BRONZED |
| 16 SQ.MM | 8 | 4-1105653-8 | C | HEX DIE SET, 16MM 46235 | BLACK / BRONZED |
| 10 SQ.MM | 6 | 3-1105653-8 | C | HEX DIE SET, 10MM 46235 | BLACK / BRONZED |
| 6 SQ.MM | 5 | 2-1105653-8 | C | HEX DIE SET, 6MM 46235 | BLACK / BRONZED |
| SET 1 | - | 1-1105653-8 | D | HYDRAULIC HANDTOOL 30 KN | GREEN / BLACK |
| 4 SQ.MM | - | 1105653-8 | D | OBSOLETE | BLACK / BRONZED |

| SECTION / Querschnitt | INDEX / Kennzeichen | TE P/N | REV | DESCRIPTION/BEZEICHNUNG | COLOUR/FINISH FARBE/OBERFLAECHE |
|-----------------------|---------------------|--------|-----|-------------------------|---------------------------------|
| | | | | | |

- 3 IN SET ARE INCLUDED:
 - HYDR. HAND TOOL
 - CASE, 345x270x90MM

- Im Set ist enthalten:
 - Hydr. Handzange
 - Transportkoffer, 345x270x90mm



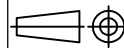
- 1 PACKAGING
 - TRANSPORT CASE
 345 x 270 x 90MM

- Verpackt
 - Transportkoffer
 345 x 270 x 90mm

2. CUSTOMER MANUAL WILL BE INCLUDED IN CASE, IN LANGUAGE ENGLISH AND GERMAN
 Bedienungsanleitung ist dem Koffer beigelegt, in der Landessprache englisch und deutsch.

THIS DRAWING IS A CONTROLLED DOCUMENT.

DIMENSIONS:
mm



MATERIAL

TOLERANCES UNLESS OTHERWISE SPECIFIED:
 0 PLC ± -
 1 PLC ± -
 2 PLC ± -
 3 PLC ± -
 4 PLC ± -
 ANGLES ± -

FINISH

DWN B.Muth 25AUG09
 CHK L. Bauer 25AUG09
 APVD L. Bauer 25AUG09
 PRODUCT SPEC
 APPLICATION SPEC
 WEIGHT



HYDRAULIC HANDTOOL 30KN,
 HEX DIE SETS DIN 48083

SIZE A3 CAGE CODE 00779 C=1105653

RESTRICTED TO

CUSTOMER DRAWING

SCALE

SHEET

1 OF 1

REV F

X-ON Electronics

Largest Supplier of Electrical and Electronic Components

Click to view similar products for [Heavy Duty Power Connectors](#) category:

Click to view products by [TE Connectivity](#) manufacturer:

Other Similar products are found below :

[647757-1](#) [6643411-1](#) [6646058-2](#) [6646137-1](#) [6646138-1](#) [6646479-1](#) [6646608-1](#) [6646786-1](#) [6646940-1](#) [6651091-1](#) [6651525-1](#) [6651529-1](#)
[6651788-1](#) [696475-1](#) [702-32-01109](#) [703-25-02205](#) [73000005059](#) [73000005642](#) [73080255059](#) [73080965046](#) [765-15-0080A](#) [765-16-0080B](#)
[765-18-0080D](#) [829992-1](#) [902-77-02113](#) [PS00/A0620/6300](#) [PS25/A0420/63](#) [129-1J](#) [1409400](#) [AN0024023](#) [E6374G1](#) [e6389g2](#) [157-43GW8](#)
[MS3117-14AC](#) [1643543-1](#) [1650540-1](#) [1651811-2](#) [1766260-1](#) [1766282-1](#) [1766966-1](#) [1791340000](#) [NLDFT-3-BL-L-S120-M40A](#) [NLDFT-N-](#)
[W-L-C240-M40B](#) [NLS-2-R-C240-M40B](#) [NLS-N-W-C240-M40B](#) [NPS-3-BL-T6](#) [1986615-1](#) [2-1589900-8](#) [2199314-1](#) [KA8102](#)