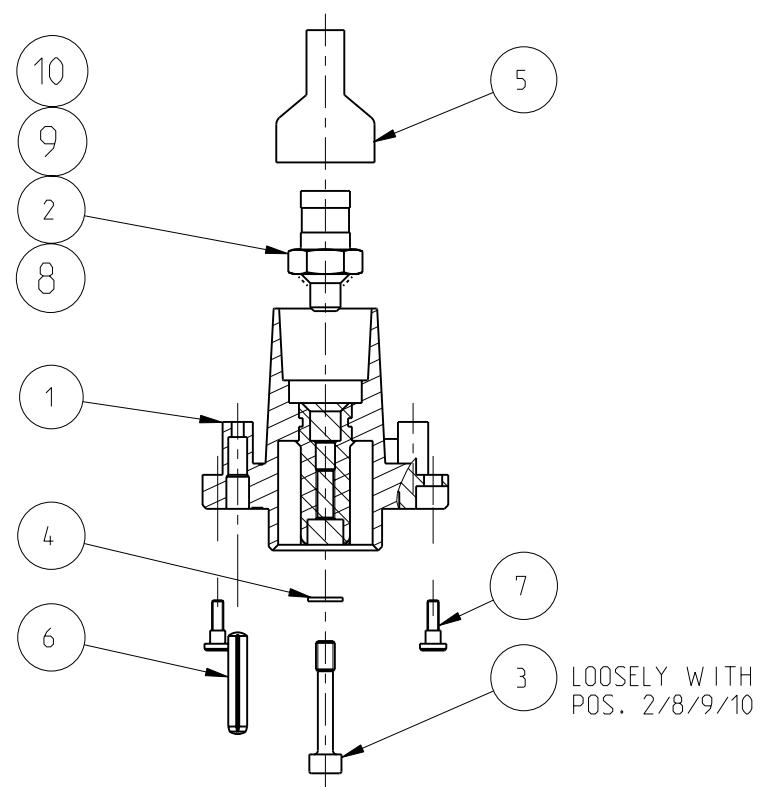


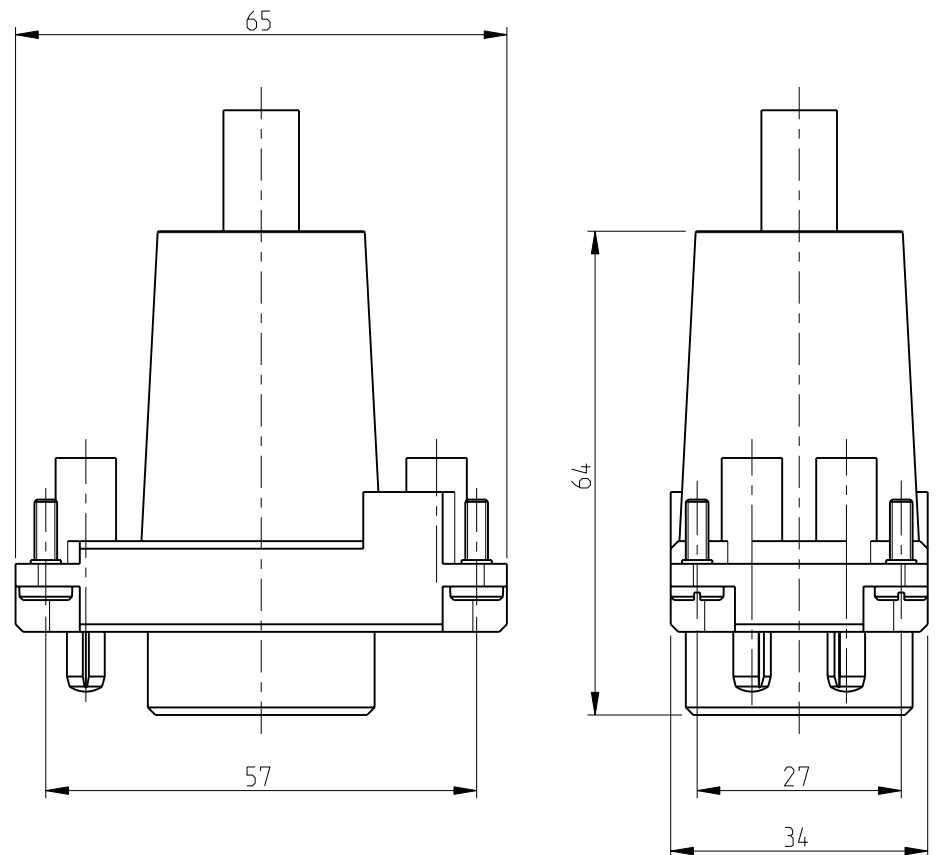
THIS DRAWING IS UNPUBLISHED. RELEASED FOR PUBLICATION 1997
 © COPYRIGHT 1997 BY TYCO ELECTRONICS CORPORATION. ALL RIGHTS RESERVED.

LOC	DIST	REVISIONS				
P	LTR	DESCRIPTION	DATE	DWN	APVD	
A1	-	B6	ECR-10-017493	26.01.11	SR	AR

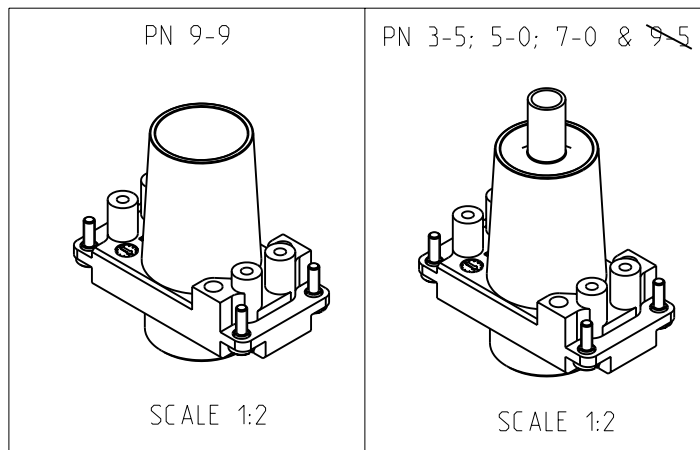
FOR PN 3-5; 5-0; 7-0 AND (9-5 OBSOLETE)



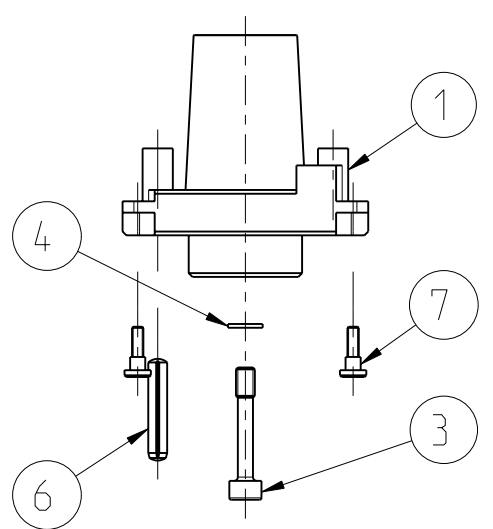
LOOSELY WITH POS. 2/8/9/10



- NOTES:
- PARTS SHALL BE BLANK, SMOOTH, FREE OF BURRS AND ALL OTHER FOREIGN MATERIAL
 - PACKAGING:
 ITEM NO 5,6 AND 7 PACKED IN POLY-BAGS
 ITEM NO 5 IS TO SHRINK OVER THE CABLE AFTER CRIMPING



FOR PN 9-9



SCALE 1:2

QTY	QTY	QTY	QTY	QTY	DESCRIPTION	MATERIAL	COLOR	ITEM NO	SURFACE	REMARKS
-	1	-	-	-	BARREL 95mm2	CuTeP(2.1546)	-	10	SILVERED	
-	-	1	-	-	BARREL 70mm2	CuTeP(2.1546)	-	9	SILVERED	
-	-	-	1	-	BARREL 50mm2	CuTeP(2.1546)	-	8	SILVERED	
4	4	4	4	4	SCREW, SLOTTED PAN HEAD	STAINL.STEEL	-	7	BLANK	DIN 923
2	2	2	2	2	Grooved pins / Rivet pins	STAINL.STEEL	BLANK	6	BLANK	DIN EN 28740
-	1	1	1	1	SHRINKABLE TUBE	POLYOLEFIN	BLACK	5		35 mm
1	1	1	1	1	WASHER, SPRING LOCK	STAINL.STEEL	-	4	BLANK	DIN 128
1	1	1	1	1	SCREW, HEX. SOCKET HEAD CAP	STAINLESS STEEL	-	3	BLANK	
-	-	-	-	1	BARREL 35mm2	CuTeP(2.1546)	-	2	SILVERED	
1	1	1	1	1	PIN INSERT	PA66 (Ultramid A3x3G5)	-	1		INSERTED

AM-1P-360-35.Sti.C
 AM-1P-360-50.Sti.C
 AM-1P-360-70.Sti.C
 AM-1P-360-95.Sti.C — OBSOLETE
 AM-1P-360.Sti.C

THIS DRAWING IS A CONTROLLED DOCUMENT FOR TYCO ELECTRONICS CORPORATION IT IS SUBJECT TO CHANGE AND THE CONTROLLING ENGINEERING ORGANIZATION SHOULD BE CONTACTED FOR THE LATEST REVISION.

DIMENSIONS:	TOLERANCES UNLESS OTHERWISE SPECIFIED:
mm	0 PLC ±
	1 PLC ±
	2 PLC ±
	3 PLC ±
	4 PLC ±
	ANGLES ±
MATERIAL	FINISH

DWN	21.11.97
Kramer	
CHK	21.11.97
Schweiger	
APVD	-
PRODUCT SPEC	108-74021
APPLICATION SPEC	114-74023
WEIGHT	-

Tyco Electronics Tyco Electronics.AMP.GmbH 53757,SanktAugustin,Germany			
NAME		ASSEMBLY PIN INSERT	
SIZE	CAGE CODE	DRAWING NO	RESTRICTED TO
A3	00779	C=1106505	-

CUSTOMER DRAWING	SCALE 5:1	SHEET 1 OF 1	REV B6
------------------	-----------	--------------	--------

X-ON Electronics

Largest Supplier of Electrical and Electronic Components

Click to view similar products for [Standard Circular Connector](#) category:

Click to view products by [TE Connectivity](#) manufacturer:

Other Similar products are found below :

[5M2530B10P](#) [600259N006](#) [600273N007](#) [6134-336-13149](#) [6134-337-11149](#) [6134-337-2390](#) [6134-341-17149](#) [6280-4SG-516](#) [6280-7SG-3DC](#)
[6290](#) [6291A](#) [66200A-10](#) [680-SMG](#) [681-PMG](#) [CXS3102A14S2P](#) [CXS3102A181S](#) [7251-5SG-300](#) [7271-6SG-300](#) [7282-3PG-300-CH3](#) [75-](#)
[474618-01S](#) [75-474618-04P](#) [75-474618-04S](#) [799539-000](#) [MI8-SE](#) [805-005-07NF11-19PC](#) [805-005-07NF15-7PA](#) [8280-4PG-516](#) [8280-7PG-](#)
[519](#) [8282-5PG-519](#) [836783-1](#) [MP-4102-25P-C](#) [862256-1](#) [864019-2](#) [866857-1](#) [867865-1](#) [PT01SP-14-18P](#) [PT08P-14-5S](#) [PTSF06SE-14-12S](#)
[120-1833-000](#) [QCM019PC2DC012B](#) [1-2069279-1](#) [121583-0217](#) [121667-0020](#) [129591AU](#) [1000B BULK](#) [RD10A16-19-P6CS051/1](#)
[RD10A20-31-P8CS051/1](#) [RD16A14-12-S6CS051/2](#) [1301240290](#) [1301240347](#) [1301860202](#)