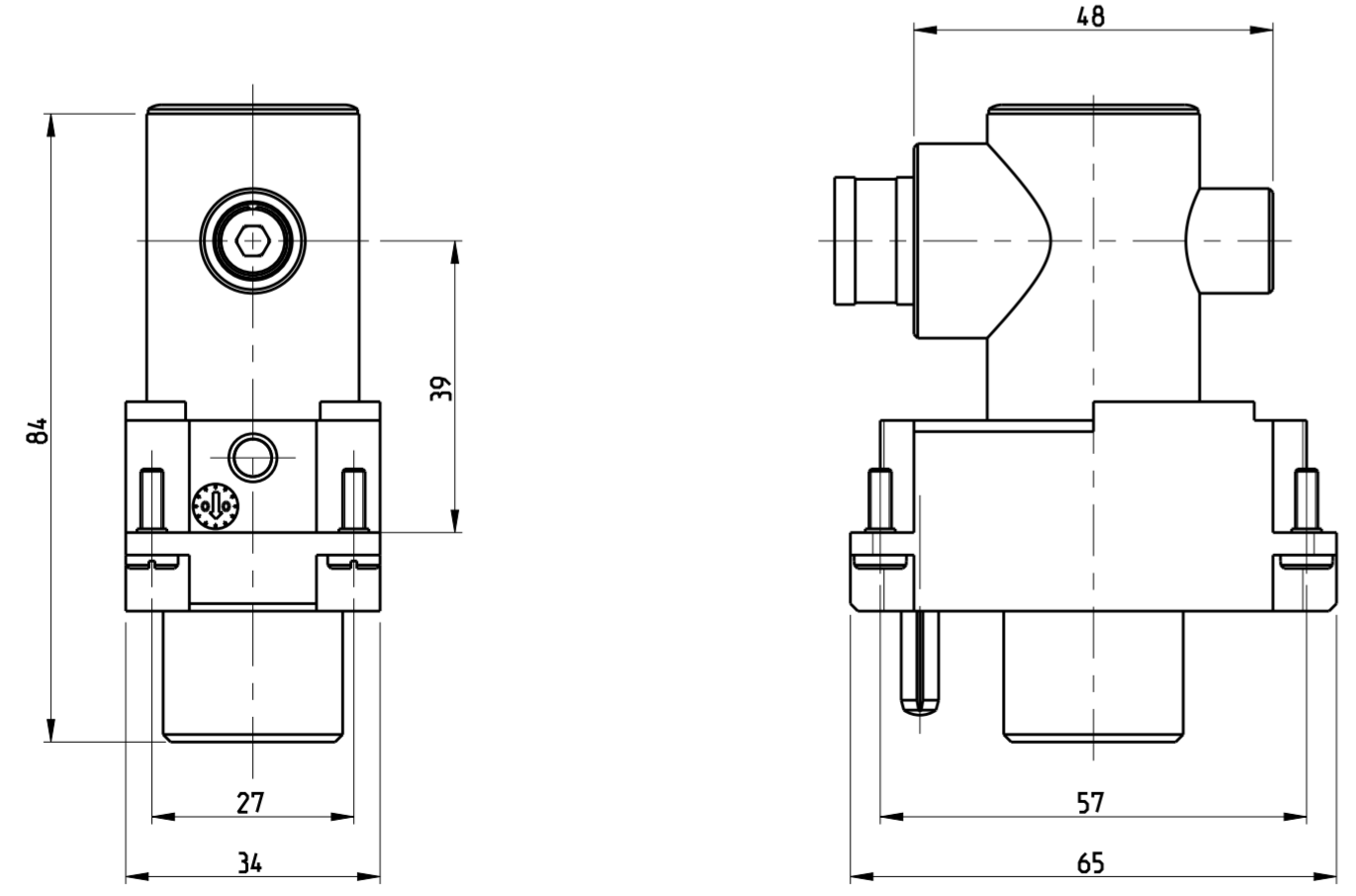
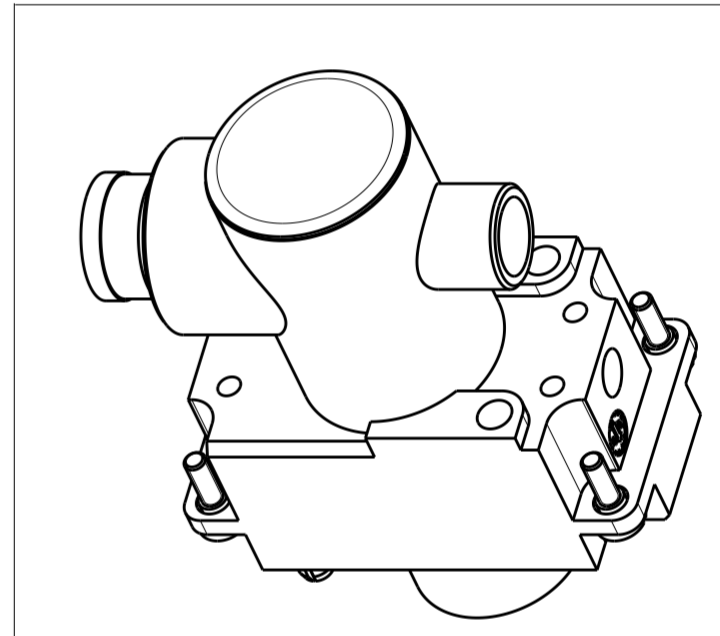
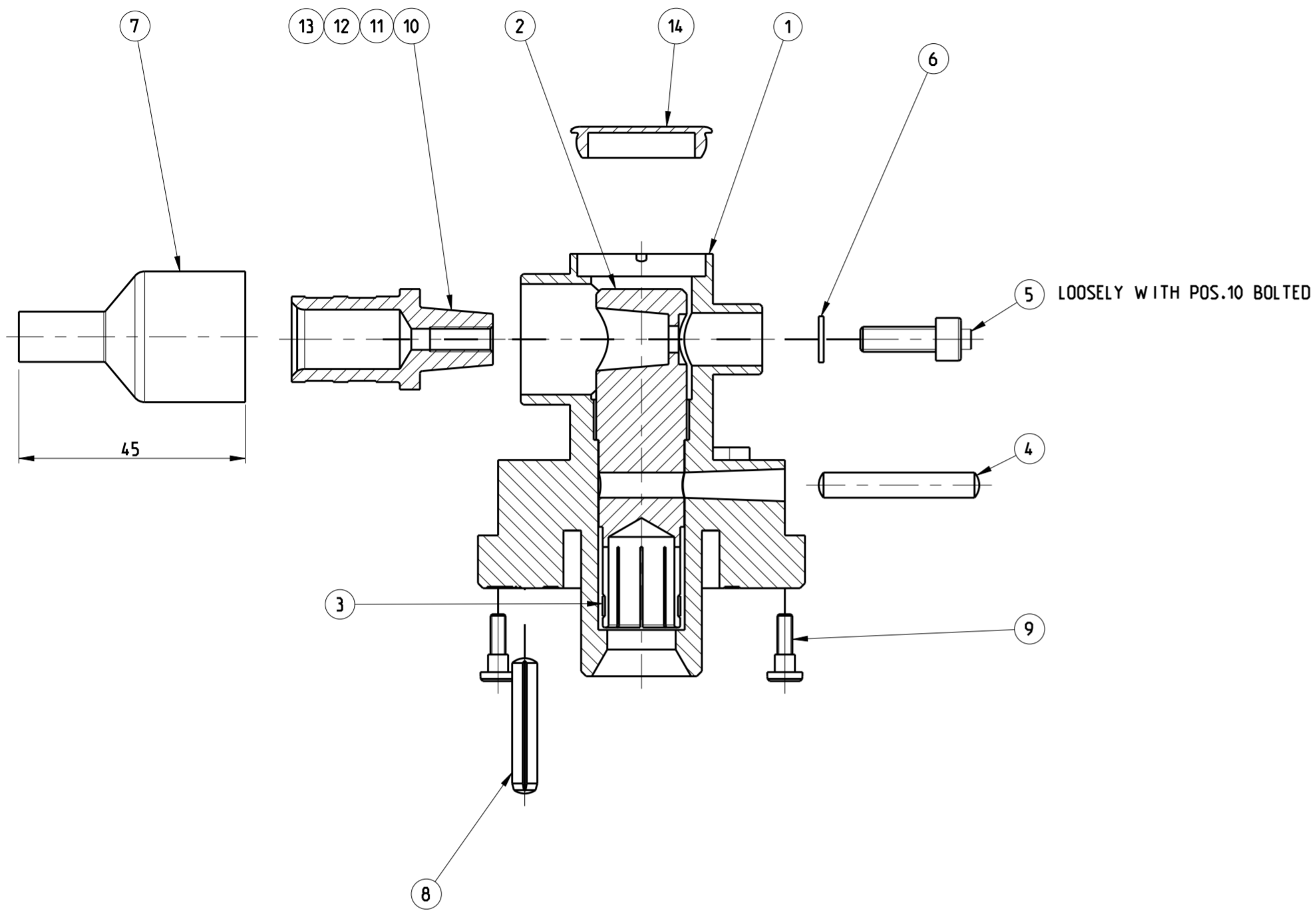


THIS DRAWING IS UNPUBLISHED. RELEASED FOR PUBLICATION 1997
 © COPYRIGHT 1997 BY - ALL RIGHTS RESERVED.

REVISIONS					
P	LTR	DESCRIPTION	DATE	DWN	APVD
D		ECR-15-013939	10OCT2015	GCM	MKO

NOTES

1. POS. 7.8 AND 9 IN POLY-BAG PACKETS
2. POS.7 IS AFTER CRIMPING THE CABLE OVER THE CRIMPING CASE AND CABLE TO SHRINKING
3. PACKAGING: 5 PIECES IN A BOX



QTY	UNIT	DESCRIPTION	MATERIAL	ITEM NO	COLOR/SURFACE	REMARKS
1		COVER	LD-PE	14	BLACK	
1		CRIMP BARREL 95mm2	COPPER ALLOY	13	SILVER PLATED	
1		CRIMP BARREL 70mm2	COPPER ALLOY	12	SILVER PLATED	
1		CRIMP BARREL 50mm2	COPPER ALLOY	11	SILVER PLATED	
1		CRIMP BARREL 35mm2	COPPER ALLOY	10	SILVER PLATED	
4	4	SCREW. SLOTTED PAN HEAD	STAINL.STEEL	9	BLANK	DIN 923
2	2	Grooved pins / Rivet pins	STAINL.STEEL	8	BLANK	DIN EN 28740
1	1	SHRINKABLE TUBE	PO	7	BLACK	45mm
1	1	WASHER. SPRING LOCK	STAINL.STEEL	6	BLANK	DIN 128
1	1	SCREW. HEX. SOCKET HEAD CAP	STAINL.STEEL	5	BLANK	DIN EN ISO 4762
1	1	Grooved pins / Rivet pins	STAINL.STEEL	4	BLANK	DIN EN 28742
1	1	ROUND SPRING	STAINL.STEEL	3	BLANK	
1	1	SOCKET CONTACT	COPPER ALLOY	2	SILVER PLATED	
1	1	FEMALE INSERT	PA66-GF25	1	NATURAL	

THIS DRAWING IS A CONTROLLED DOCUMENT. DWN Kramer 21.11.97
 CHK Schweiger 24.11.97

STE TE Connectivity

FEMALE INSERT ASS'Y
 SERIES AM-1P. SURFACE MOUNTED HOUSING

PRODUCT SPEC 108-74021
 APPLICATION SPEC 114-74023

SIZE A2 CAGE CODE 00779 DRAWING NO C-1106506 RESTRICTED TO -

MATERIAL FINISH CUSTOMER DRAWING SCALE 1:1 SHEET 1 OF 1 REV D

X-ON Electronics

Largest Supplier of Electrical and Electronic Components

Click to view similar products for [Heavy Duty Power Connectors](#) category:

Click to view products by [TE Connectivity](#) manufacturer:

Other Similar products are found below :

[647757-1](#) [6643411-1](#) [6646058-2](#) [6646137-1](#) [6646138-1](#) [6646479-1](#) [6646608-1](#) [6646786-1](#) [6646940-1](#) [6651091-1](#) [6651525-1](#) [6651529-1](#)
[6651788-1](#) [696475-1](#) [702-32-01109](#) [703-25-02205](#) [73000005059](#) [73000005642](#) [73080255059](#) [73080965046](#) [765-15-0080A](#) [765-16-0080B](#)
[765-18-0080D](#) [829992-1](#) [902-77-02113](#) [PS00/A0620/6300](#) [PS25/A0420/63](#) [129-1J](#) [1409400](#) [AN0024023](#) [E6374G1](#) [e6389g2](#) [157-43GW8](#)
[MS3117-14AC](#) [1643543-1](#) [1650540-1](#) [1651811-2](#) [1766260-1](#) [1766282-1](#) [1766966-1](#) [1791340000](#) [NLDFT-3-BL-L-S120-M40A](#) [NLDFT-N-](#)
[W-L-C240-M40B](#) [NLS-2-R-C240-M40B](#) [NLS-N-W-C240-M40B](#) [NPS-3-BL-T6](#) [1986615-1](#) [2-1589900-8](#) [2199314-1](#) [KA8102](#)