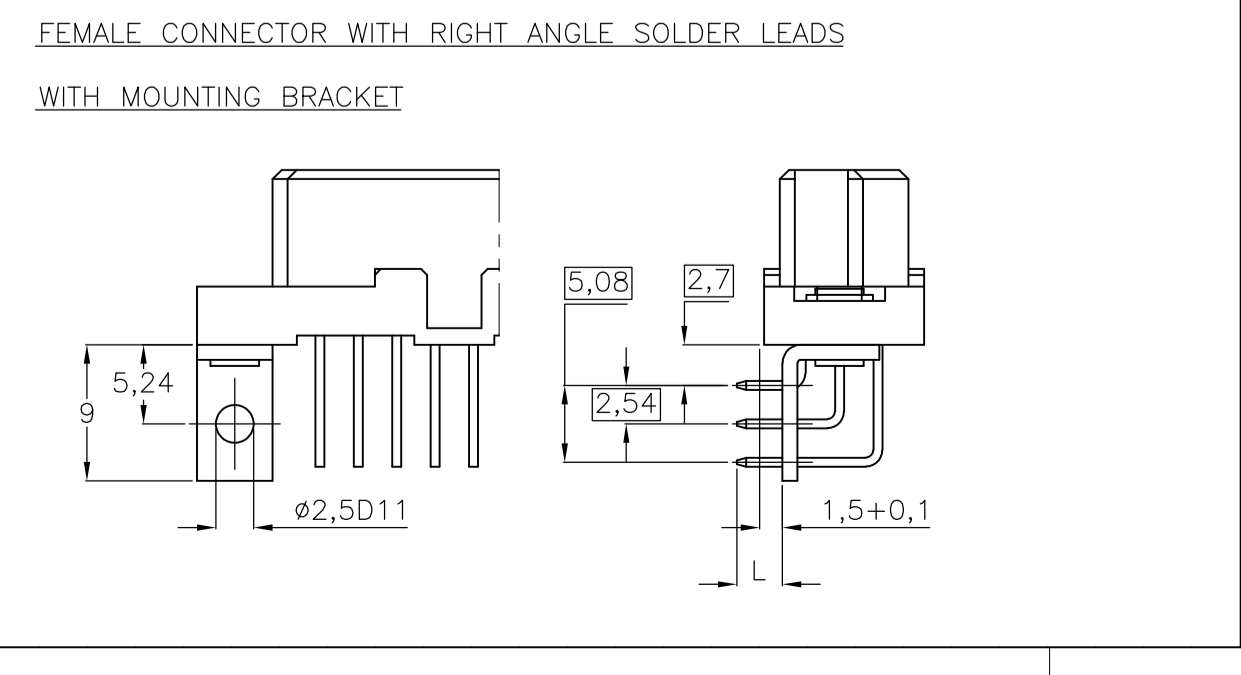
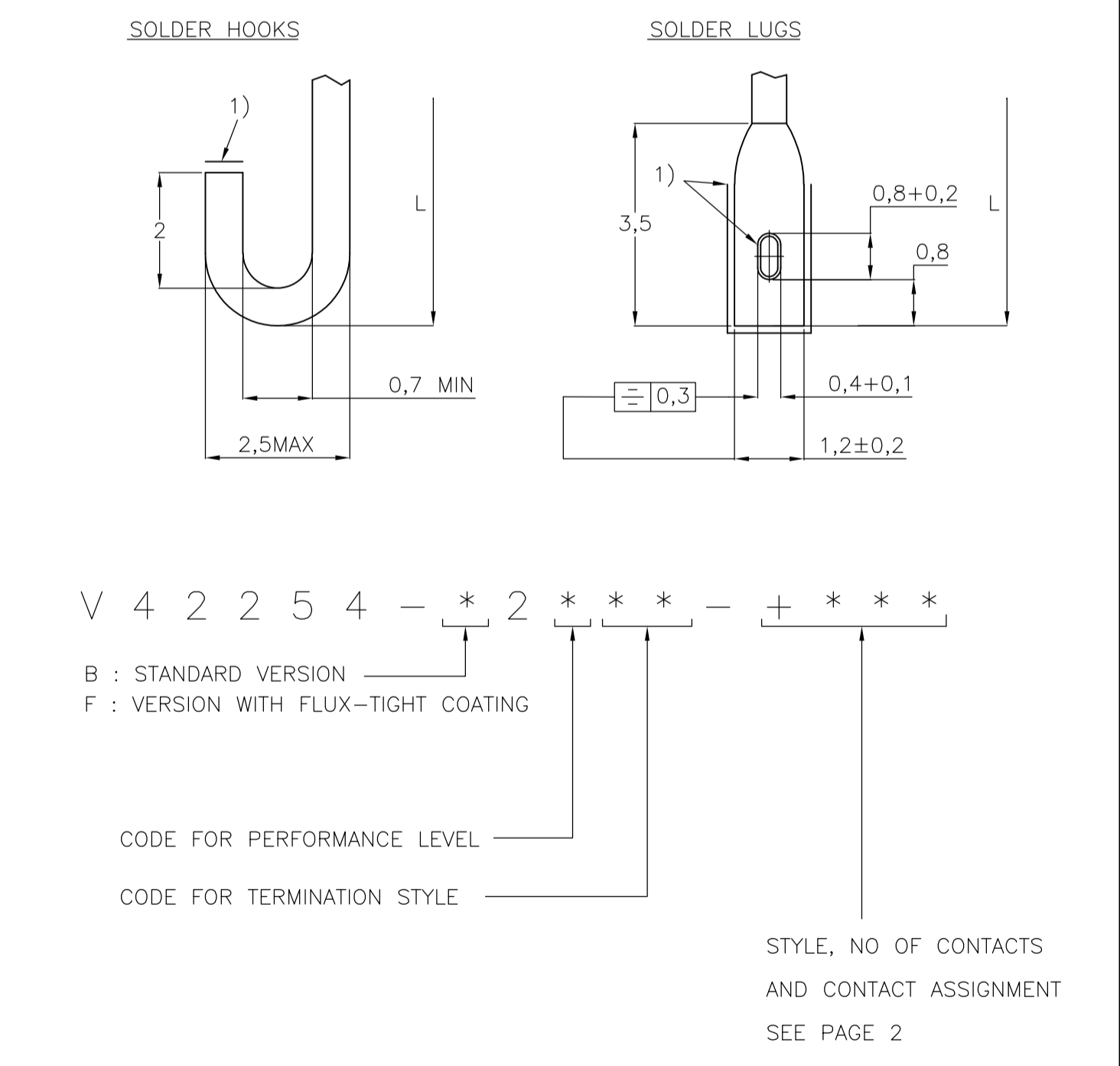
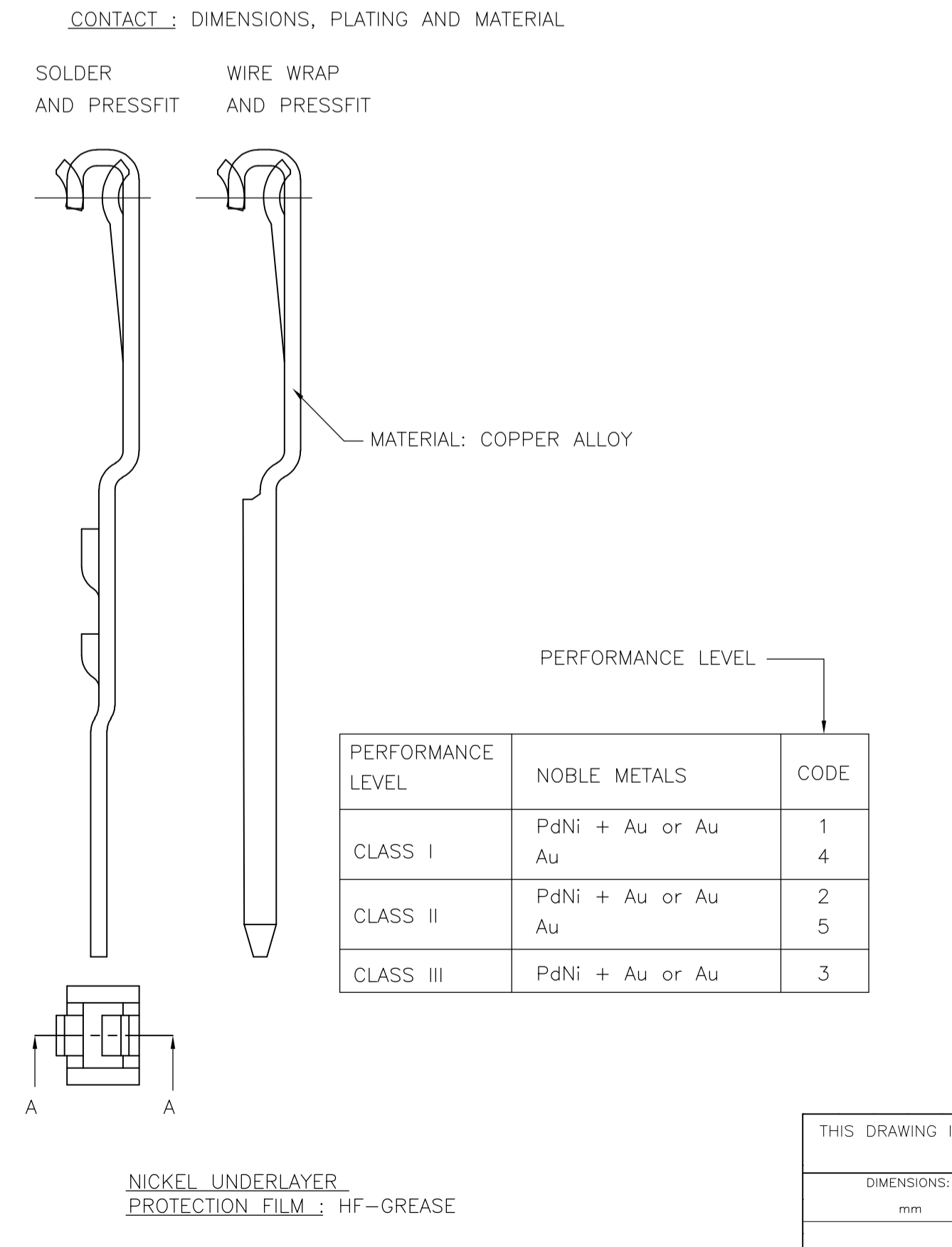
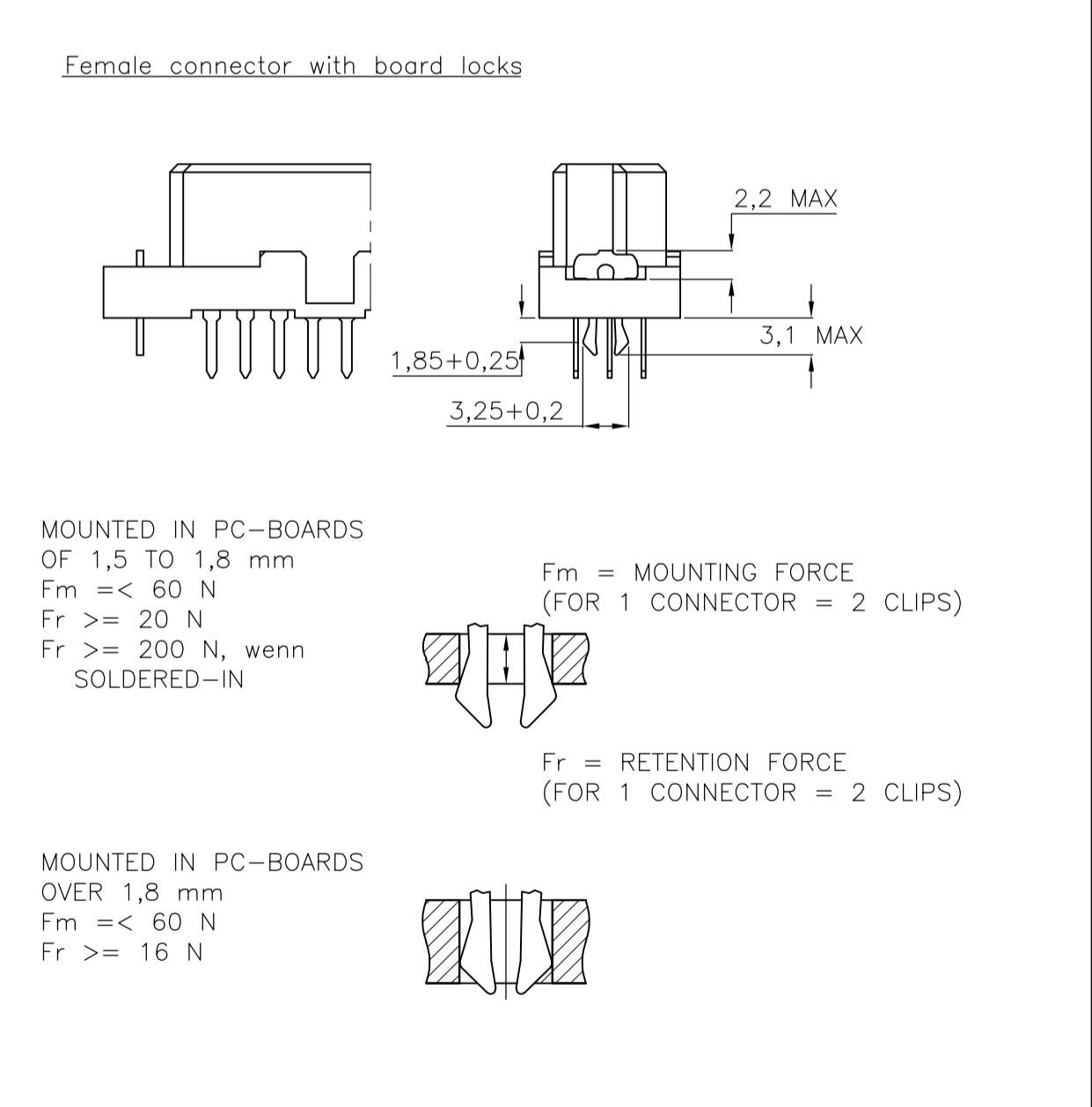


REV. NO.		DATE		BY		APPROVED	
NO.	DESCRIPTION	DATE	BY	APPROVED	DATE	BY	APPROVED
B11	REV PER ECO-12-006572	14JAN2013	BC	RP			



TERMINATION STYLES	TERMINATION	L	CODE
	SOLDER	2,9±0,3	01
		3,7±0,3	05
		4,5±0,3	02
	SOLDER	6±0,3	03
		7,3±0,3	04
	WIRE WRAP	13±0,5	40
	SOLDER HOOKS	5,5±0,3 10±0,5	30
	SOLDER LUGS	5,5±0,3 10-0,5	35
	SOLDER RIGHT ANGLE	1,55-0,4	00
	SOLDER RIGHT ANGLE WITH MOUNTING BRACKET	3-0,4	10
	SOLDER WITH SN	13±0,5	60
		17±0,5	61
		4±0,5	63
		13±0,5	66
		17±0,5	67
		6±0,5 6±0,5	69 70



THIS DRAWING IS A CONTROLLED DOCUMENT.		DIN CUVIELIER 14FEB89	TE Connectivity
DIMENSIONS: mm		APVD	
TOLERANCES UNLESS OTHERWISE SPECIFIED:		NAME	RECEPTACLE ASSEMBLY EUROCARD TYPES B,C AND SHORT VERSIONS (PN:V42254-B2***-C***-7626)
0 PLC ± -		PRODUCT SPEC	
1 PLC ± -		APPLICATION SPEC	SIZE
2 PLC ± -			CAGE CODE
3 PLC ± -			DRAWING NO
4 PLC ± -			RESTRICTED TO
ANGLES ± -			A1 00779
MATERIAL		WEIGHT	1393640-1
FINISH		CUSTOMER DRAWING	SCALE NTS SHEET 1 OF 2 REV B11

PRODUCT DESCRIPTION CODE	TE PN	STYLE & NUMBER OF POSITIONS	TERMINATION POSTS	LOADED ROWS	PERFORMANCE LEVEL	BOARD LOCKS
V42254-B2100-C960	1393640-1	C96	RIGHT-ANGLE SOLDER LEADS	EVERY ROW , EVERY PITCH	1	NO
V42254-B2101-B640	1393640-4	B64	2,9mm STRAIGHT SOLDER LEADS	EVERY ROW , EVERY PITCH	1	NO
V42254-B2101-B645	1393640-5	B64	2,9mm STRAIGHT SOLDER LEADS	EVERY ROW , EVERY EVEN PITCH	1	NO
V42254-B2101-C300	1393640-6	C30	2,9mm STRAIGHT SOLDER LEADS	EVERY ROW , EVERY PITCH	1	NO
V42254-B2101-C480	1393640-7	C48	2,9mm STRAIGHT SOLDER LEADS	EVERY ROW , EVERY PITCH	1	NO
V42254-B2101-C483	1393640-8	C48	2,9mm STRAIGHT SOLDER LEADS	ROW A+C , EVERY PITCH	1	NO
V42254-B2101-C910	3-1392009-9	C96	2,9mm STRAIGHT SOLDER LEADS	EVERY ROW , EVERY PITCH	1	YES
V42254-B2101-C960	1393640-9	C96	2,9mm STRAIGHT SOLDER LEADS	EVERY ROW , EVERY PITCH	1	NO
V42254-B2101-C963	1-1393640-0	C96	2,9mm STRAIGHT SOLDER LEADS	ROW A+C , EVERY PITCH	1	NO
V42254-B2101-C968	1-1393640-1	C96	2,9mm STRAIGHT SOLDER LEADS	ROW A+C , EVERY EVEN PITCH	1	NO
V42254-B2102-B200	1-1393640-5	B20	4,5mm STRAIGHT SOLDER LEADS	EVERY ROW , EVERY PITCH	1	NO
V42254-B2102-B320	1-1393640-6	B32	4,5mm STRAIGHT SOLDER LEADS	EVERY ROW , EVERY PITCH	1	NO
V42254-B2102-B640	1-1393640-7	B64	4,5mm STRAIGHT SOLDER LEADS	EVERY ROW , EVERY PITCH	1	NO
V42254-B2102-B641	1-1393640-8	B64	4,5mm STRAIGHT SOLDER LEADS	ROW A , EVERY PITCH	1	NO
V42254-B2102-C303	2-1393640-0	C30	4,5mm STRAIGHT SOLDER LEADS	ROW A+C , EVERY PITCH	1	NO
V42254-B2102-C480	2-1393640-1	C48	4,5mm STRAIGHT SOLDER LEADS	EVERY ROW , EVERY PITCH	1	NO
V42254-B2102-C910	2-1393640-3	C96	4,5mm STRAIGHT SOLDER LEADS	EVERY ROW , EVERY PITCH	1	YES
V42254-B2102-C960	2-1393640-4	C96	4,5mm STRAIGHT SOLDER LEADS	EVERY ROW , EVERY PITCH	1	NO
V42254-B2102-C963	2-1393640-5	C96	4,5mm STRAIGHT SOLDER LEADS	ROW A+C , EVERY PITCH	1	NO
V42254-B2102-C968	2-1393640-6	C96	4,5mm STRAIGHT SOLDER LEADS	ROW A+C , EVERY EVEN PITCH	1	NO
V42254-B2103-B640	3-1393640-3	B64	6,3mm STRAIGHT SOLDER LEADS	EVERY ROW , EVERY PITCH	1	NO
V42254-B2103-C960	3-1393640-4	C96	6,3mm STRAIGHT SOLDER LEADS	EVERY ROW , EVERY PITCH	1	NO
V42254-B2104-C960	3-1393640-5	C96	7,3mm STRAIGHT SOLDER LEADS	EVERY ROW , EVERY PITCH	1	NO
V42254-B2110-B640	3-1393640-7	B64	RIGHT-ANGLE SOLDER LEADS WITH MOUNTING BRACKET	EVERY ROW , EVERY PITCH	1	NO
V42254-B2110-C960	3-1393640-8	C96	RIGHT-ANGLE SOLDER LEADS WITH MOUNTING BRACKET	EVERY ROW , EVERY PITCH	1	NO
V42254-B2110-C960N	3-1393640-9	C96	RIGHT-ANGLE SOLDER LEADS WITH MOUNTING BRACKET	EVERY ROW , EVERY PITCH	1	NO
V42254-B2110-C963	4-1393640-0	C96	RIGHT-ANGLE SOLDER LEADS WITH MOUNTING BRACKET	ROW A+C , EVERY PITCH	1	NO
V42254-B2130-B641	4-1393640-6	B64	5,5 10mm SOLDER HOOKS	ROW A , EVERY PITCH	1	NO
V42254-B2135-B640	4-1393640-7	B64	5,5 10mm SOLDER LUGS	EVERY ROW , EVERY PITCH	1	NO
V42254-B2135-B641	4-1393640-8	B64	5,5 10mm SOLDER LUGS	ROW A , EVERY PITCH	1	NO
V42254-B2135-C960	5-1393640-0	C96	5,5 10mm SOLDER LUGS	EVERY ROW , EVERY PITCH	1	NO
V42254-B2135-C963	5-1393640-1	C96	5,5 10mm SOLDER LUGS	ROW A+C , EVERY PITCH	1	NO
V42254-B2140-B640	5-1393640-8	B64	13mm STRAIGHT WIRE-WRAP PINS	EVERY ROW , EVERY PITCH	1	NO
V42254-B2140-C960	6-1393640-0	C96	13mm STRAIGHT WIRE-WRAP PINS	EVERY ROW , EVERY PITCH	1	NO
V42254-B2140-C963	6-1393640-1	C96	13mm STRAIGHT WIRE-WRAP PINS	ROW A+C , EVERY PITCH	1	NO
V42254-B2200-C960	7-1393640-0	C96	RIGHT-ANGLE SOLDER LEADS	EVERY ROW , EVERY PITCH	2	NO
V42254-B2200-C963	7-1393640-1	C96	RIGHT-ANGLE SOLDER LEADS	ROW A+C , EVERY PITCH	2	NO
V42254-B2201-B200	7-1393640-2	B20	2,9mm STRAIGHT SOLDER LEADS	EVERY ROW , EVERY PITCH	2	NO
V42254-B2201-B310	7-1393640-3	B32	2,9mm STRAIGHT SOLDER LEADS	EVERY ROW , EVERY PITCH	2	YES
V42254-B2201-B320	7-1393640-4	B32	2,9mm STRAIGHT SOLDER LEADS	EVERY ROW , EVERY PITCH	2	NO
V42254-B2201-B325	7-1393640-5	B32	2,9mm STRAIGHT SOLDER LEADS	EVERY ROW , EVERY EVEN PITCH	2	NO
V42254-B2201-B640	7-1393640-8	B64	2,9mm STRAIGHT SOLDER LEADS	EVERY ROW , EVERY PITCH	2	NO
V42254-B2201-B641	7-1393640-9	B64	2,9mm STRAIGHT SOLDER LEADS	ROW A , EVERY PITCH	2	NO
V42254-B2201-C300	8-1393640-0	C30	2,9mm STRAIGHT SOLDER LEADS	EVERY ROW , EVERY PITCH	2	NO
V42254-B2201-C313	8-1393640-2	C30	2,9mm STRAIGHT SOLDER LEADS	ROW A+C , EVERY PITCH	2	YES
V42254-B2201-C410	8-1393640-3	C48	2,9mm STRAIGHT SOLDER LEADS	EVERY ROW , EVERY PITCH	2	YES
V42254-B2201-C413	8-1393640-4	C48	2,9mm STRAIGHT SOLDER LEADS	ROW A+C , EVERY PITCH	2	YES
V42254-B2201-C480	8-1393640-5	C48	2,9mm STRAIGHT SOLDER LEADS	EVERY ROW , EVERY PITCH	2	NO
V42254-B2201-C483	8-1393640-6	C48	2,9mm STRAIGHT SOLDER LEADS	ROW A+C , EVERY PITCH	2	NO
V42254-B2201-C485	8-1393640-7	C48	2,9mm STRAIGHT SOLDER LEADS	EVERY ROW , EVERY EVEN PITCH	2	NO
V42254-B2201-C488	8-1393640-8	C48	2,9mm STRAIGHT SOLDER LEADS	ROW A+C , EVERY EVEN PITCH	2	NO
V42254-B2201-C910	8-1393640-9	C96	2,9mm STRAIGHT SOLDER LEADS	EVERY ROW , EVERY PITCH	2	YES
V42254-B2201-C913	9-1393640-0	C96	2,9mm STRAIGHT SOLDER LEADS	ROW A+C , EVERY PITCH	2	YES
V42254-B2201-C960	9-1393640-2	C96	2,9mm STRAIGHT SOLDER LEADS	EVERY ROW , EVERY PITCH	2	NO
V42254-B2201-C963	9-1393640-3	C96	2,9mm STRAIGHT SOLDER LEADS	ROW A+C , EVERY PITCH	2	NO
V42254-B2201-C965	9-1393640-4	C96	2,9mm STRAIGHT SOLDER LEADS	EVERY ROW , EVERY EVEN PITCH	2	NO
V42254-B2201-C968	9-1393640-5	C96	2,9mm STRAIGHT SOLDER LEADS	ROW A+C , EVERY EVEN PITCH	2	NO
V42254-B2202-B200	1-1393641-0	B20	4,5mm STRAIGHT SOLDER LEADS	EVERY ROW , EVERY PITCH	2	NO
V42254-B2202-B320	1-1393641-1	B32	4,5mm STRAIGHT SOLDER LEADS	EVERY ROW , EVERY PITCH	2	NO
V42254-B2202-B321	1-1393641-2	B32	4,5mm STRAIGHT SOLDER LEADS	ROW A , EVERY PITCH	2	NO
V42254-B2202-B640	1-1393641-4	B64	4,5mm STRAIGHT SOLDER LEADS	EVERY ROW , EVERY PITCH	2	NO
V42254-B2202-B640N	1-1393641-5	B64	4,5mm STRAIGHT SOLDER LEADS	EVERY ROW , EVERY PITCH	2	NO
V42254-B2202-B641	1-1393641-6	B64	4,5mm STRAIGHT SOLDER LEADS	ROW A , EVERY PITCH	2	NO
V42254-B2202-B641N	1-1393641-7	B64	4,5mm STRAIGHT SOLDER LEADS	ROW A , EVERY PITCH	2	NO
V42254-B2202-B645	1-1393641-8	B64	4,5mm STRAIGHT SOLDER LEADS	EVERY ROW , EVERY EVEN PITCH	2	NO

3) ACCORDING TO BT 236 LEVEL 2.
 2) CONNECTORS HAVE A FLUX-TIGHT COATING.
 1) NO COMPANY NAME MARKED ON THE CONNECTOR.

ACTIVE PART NUMBERS.
 CONTACT TE FOR OTHER CONFIGURATION AVAILABILITY

THIS DRAWING IS A CONTROLLED DOCUMENT. DUN CUVIELIER 14FEB99

RECEPACLE ASSEMBLY EUROCARD
 TYPES B,C AND SHORT VERSIONS
 (PN:V42254-B2***-C***-*-7626)

SIZE: A1 CASE CODE: 00779 DRAWING NO: 1393640-1 RESTRICTED TO: -

CUSTOMER DRAWING SCALE: NTS SHEET: 2 OF 2 REV: B11

X-ON Electronics

Largest Supplier of Electrical and Electronic Components

Click to view similar products for [DIN 41612 Connectors](#) category:

Click to view products by [TE Connectivity](#) manufacturer:

Other Similar products are found below :

[004.767](#) [608489050008049](#) [691327-1](#) [74670-0732](#) [74680-0340](#) [75880-0015](#) [76453-0014](#) [86093159ALF](#) [9732967801](#) [QLC260R](#)
[120X10019X](#) [120X10089X](#) [122A10249X](#) [122A11089X](#) [122A13089X](#) [122A10089X](#) [122A10129X](#) [122A10349X](#) [122A13359X](#) [1377391-4](#)
[DIN-048CPC-SR1-MH](#) [1393583-2](#) [1393726-7](#) [140X10129X](#) [143-1913-000](#) [143-1908-000](#) [1484472-1](#) [2110070-1](#) [2110070-2](#) [CBC20T00-](#)
[008FDS5-0-1-002VR](#) [172699-5036](#) [2-1393557-4](#) [2-1437084-2](#) [394506](#) [419-2080-402](#) [V42254B2202C968](#) [419-2086-201](#) [419-2087-002](#)
[448657-1](#) [448847-3](#) [5-1393755-9](#) [02990000004](#) [054302](#) [043556](#) [09062483201750](#) [0850033067](#) [09031646555](#) [09061486901840](#)
[09185107324800](#) [102A10019X](#)