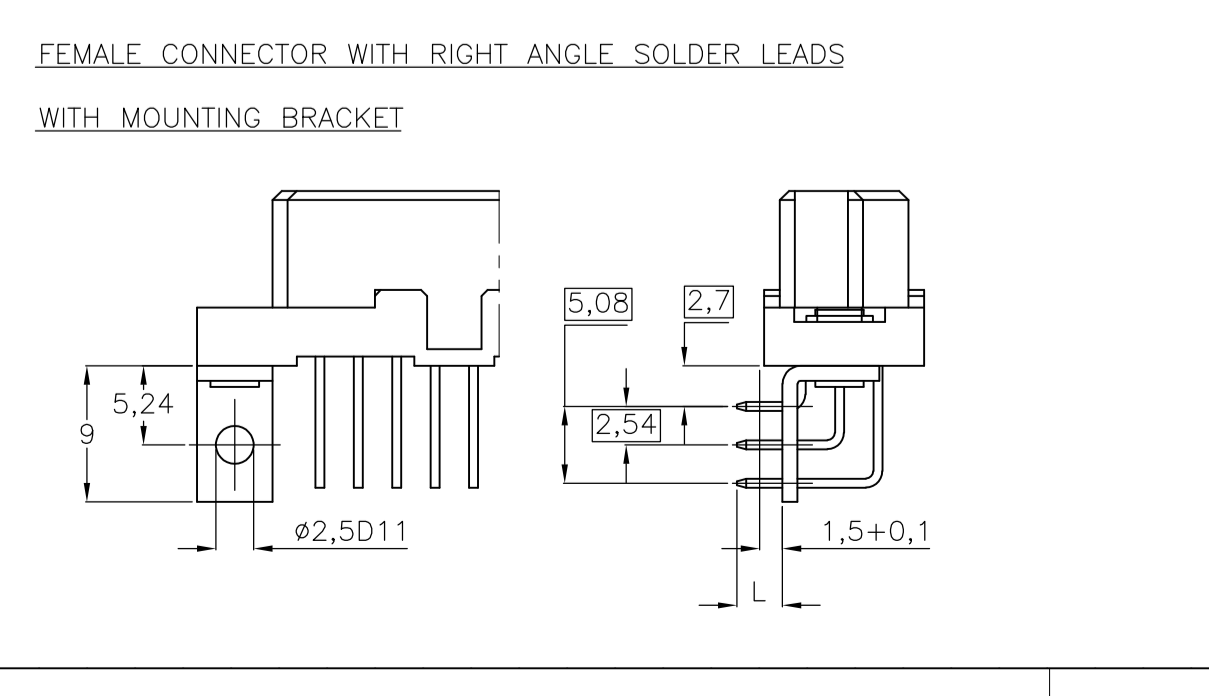
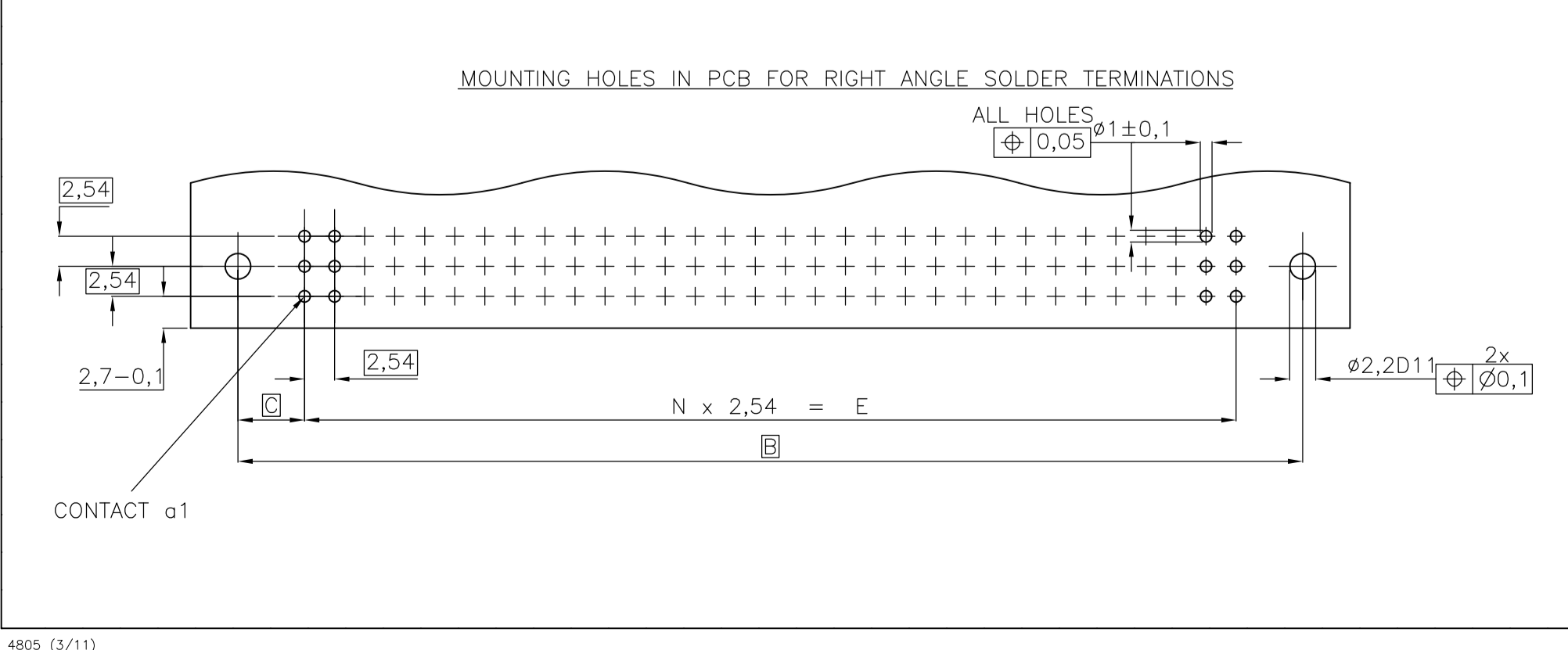
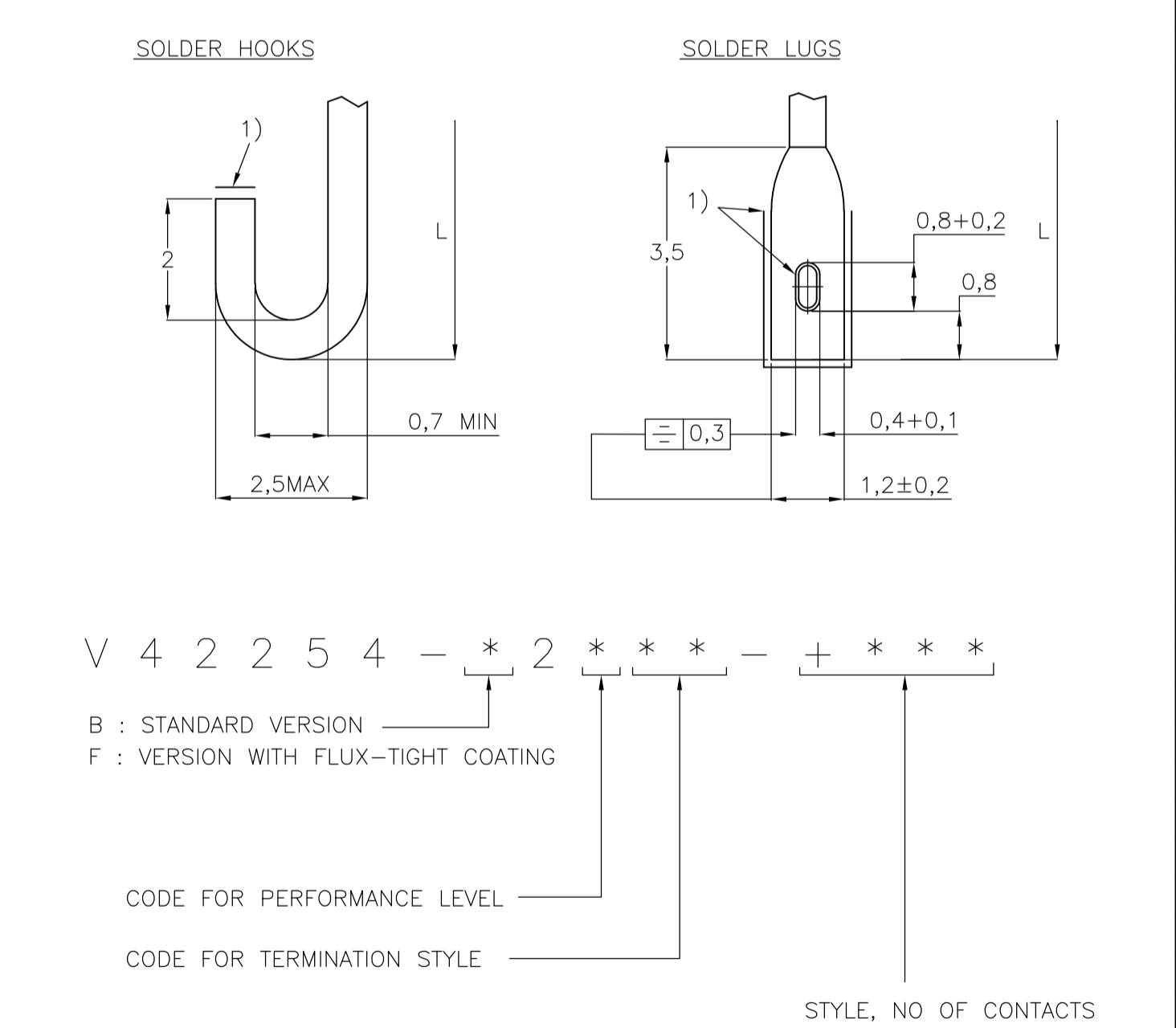
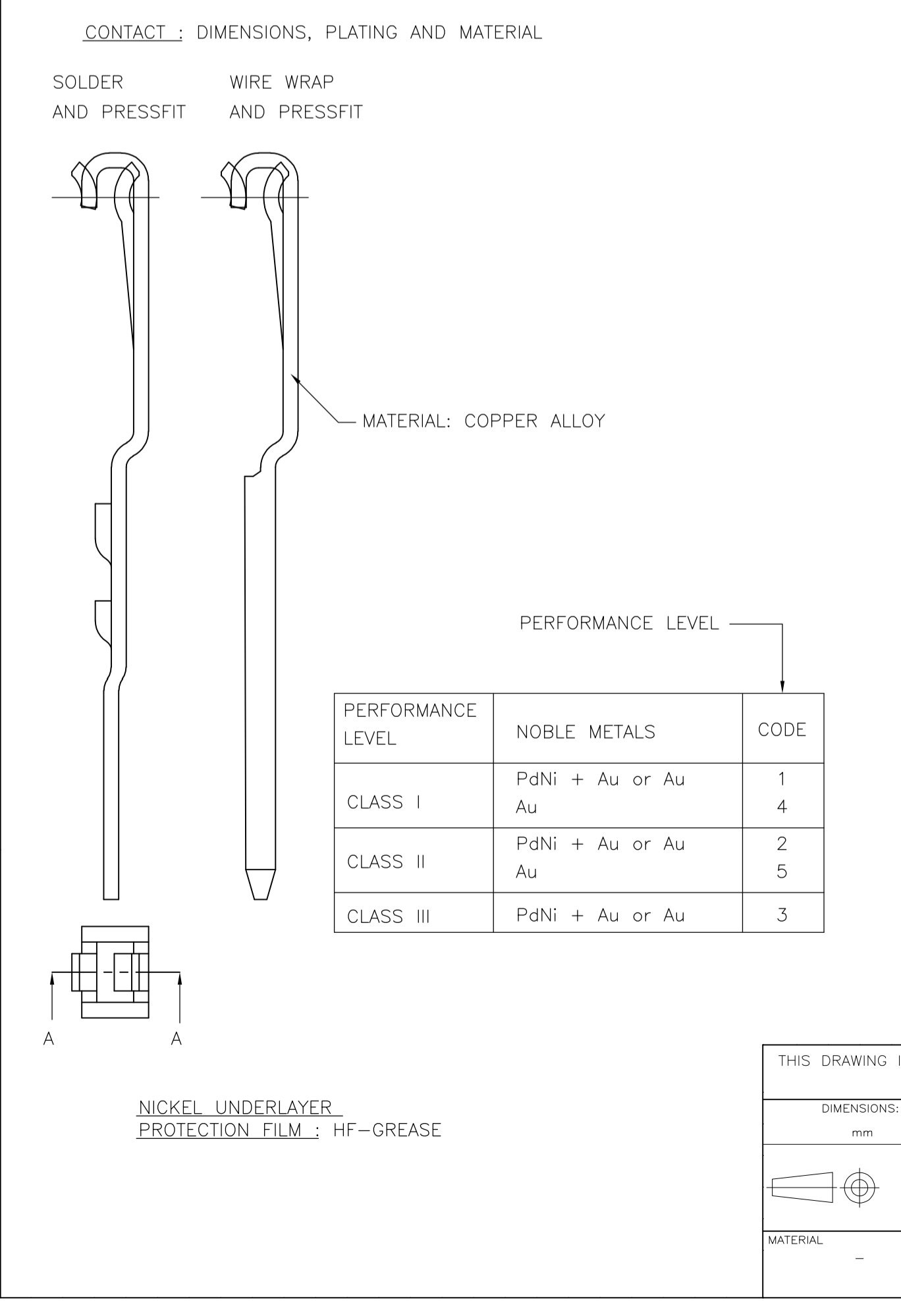
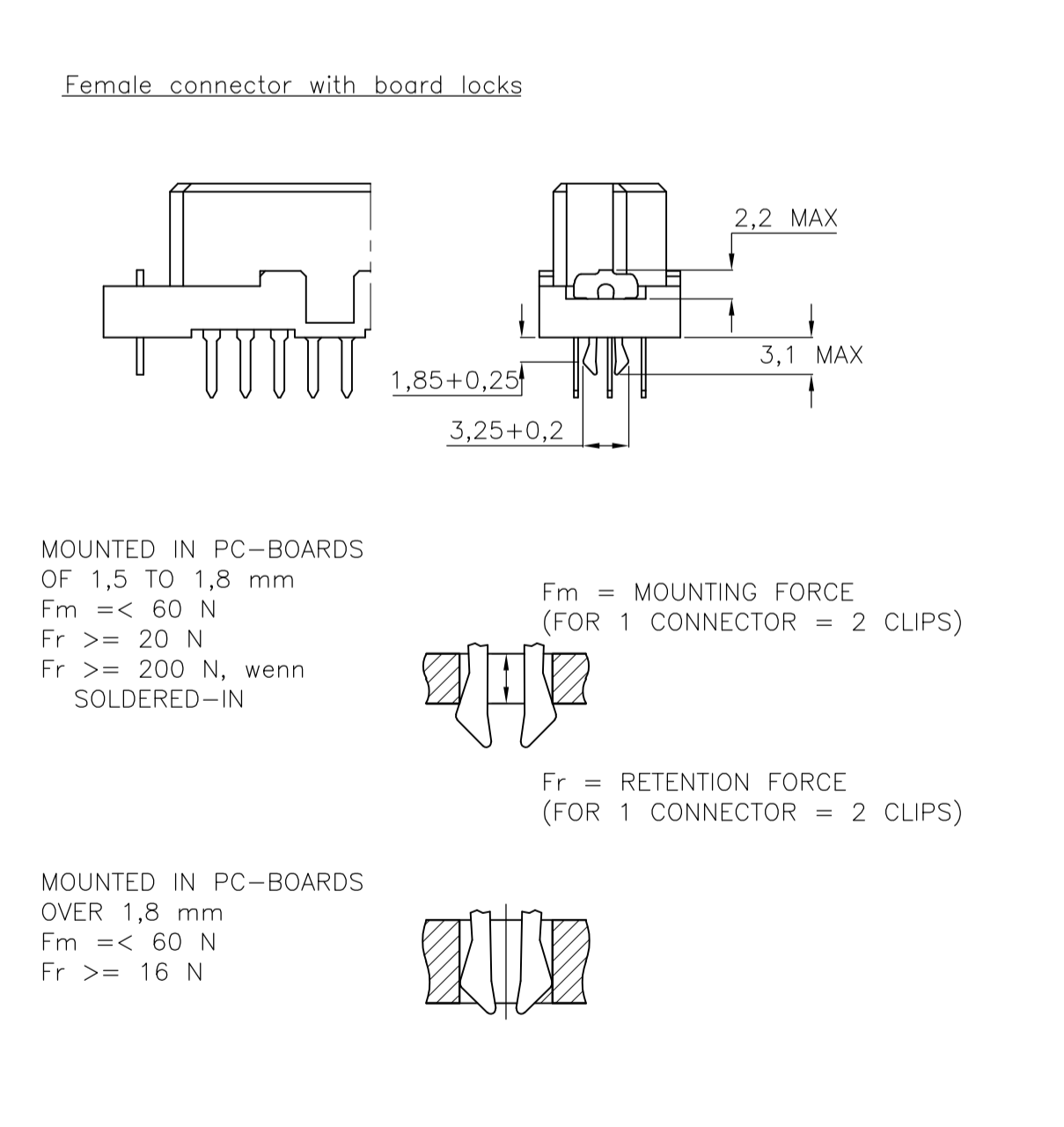
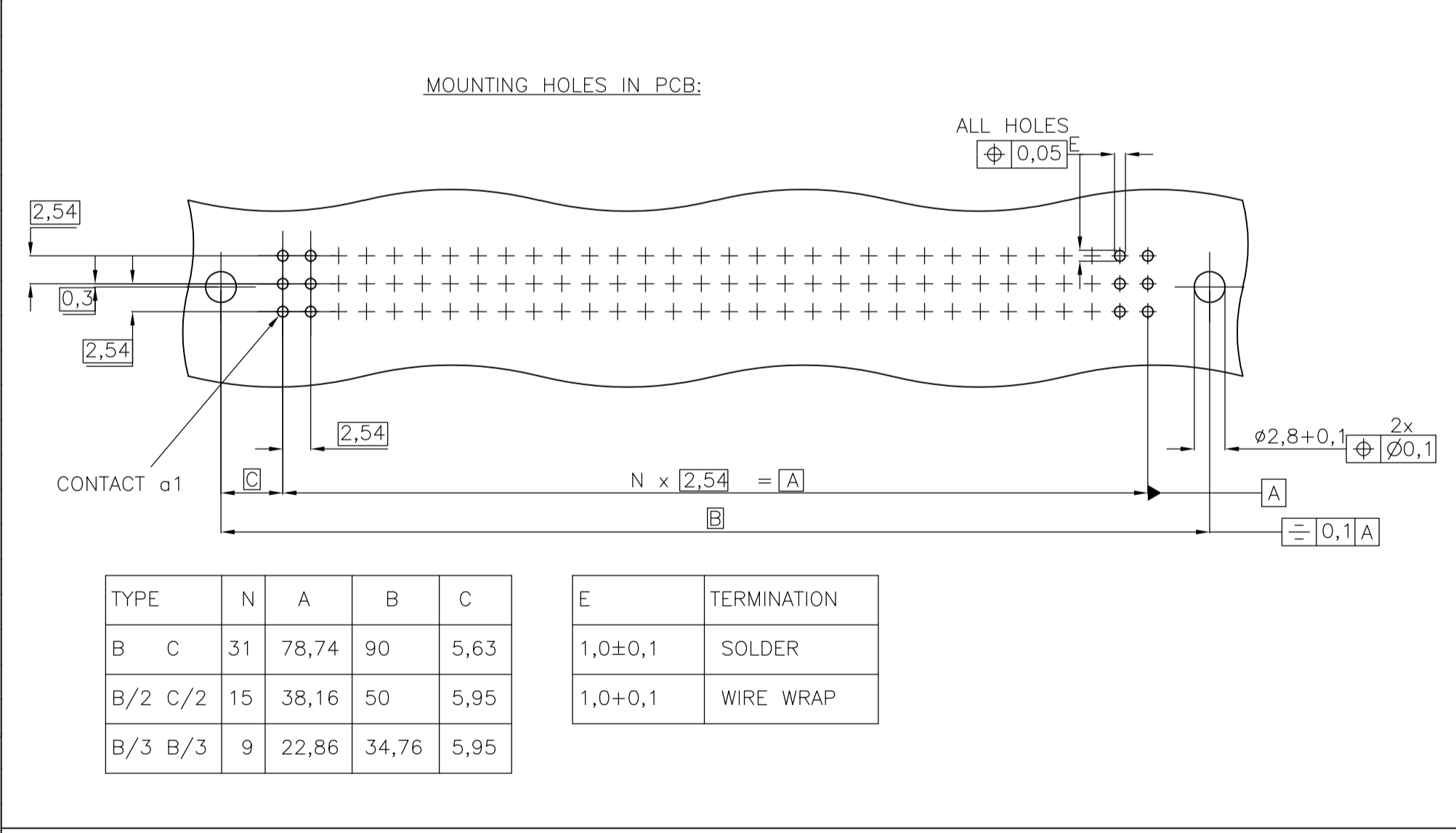


LOC		DIST		REVISIONS			
F	LTR	DESCRIPTION	DATE	DWN	APVD	BC	RP
B11	REV PER ECO-12-006572		14JAN2013	BC	RP		

SOLDER TERMINATIONS		TERMINATION STYLES		L	CODE
	SOLDER	2,9±0,3	01		
	SOLDER	3,7±0,3	05		
	SOLDER	4,5±0,3	02		
	SOLDER	6±0,3	03		
	WIRE WRAP	7,3±0,3	04		
	WIRE WRAP	13±0,5	40		
	SOLDER HOOKS	5,5±0,3	30		
	SOLDER HOOKS	10±0,5	35		
	SOLDER LUGS	5,5±0,3	35		
	SOLDER LUGS	10±0,5	00		
	SOLDER RIGHT ANGLE	1,55-0,4	00		
	SOLDER RIGHT ANGLE	3-0,4	10		
	SOLDER RIGHT ANGLE WITH MOUNTING BRACKET	13±0,5	60		
	SOLDER RIGHT ANGLE WITH MOUNTING BRACKET	17±0,5	61		
	SOLDER RIGHT ANGLE WITH MOUNTING BRACKET	4±0,5	63		
	SOLDER RIGHT ANGLE WITH MOUNTING BRACKET	13±0,5	66		
	SOLDER RIGHT ANGLE WITH MOUNTING BRACKET	17±0,5	67		
	SOLDER RIGHT ANGLE WITH MOUNTING BRACKET	6±0,5	69		
	SOLDER RIGHT ANGLE WITH MOUNTING BRACKET	6±0,5	70		



THIS DRAWING IS A CONTROLLED DOCUMENT.		DIN CUVIELIER 14FEB89	TE Connectivity	
DIMENSIONS: mm		TOLERANCES UNLESS OTHERWISE SPECIFIED:	RECEPTACLE ASSEMBLY EUROCARD TYPES B,C AND SHORT VERSIONS (PN:V42254-B2***-C***-7626)	
MATERIAL		FINISH	SIZE	RESTRICTED TO
CUSTOMER DRAWING		SCALE	NTS	SHEET 1 OF 2 REV B11

LOC AD DIST OO REVISIONS DATE DWN APVO

Main table with columns: PRODUCT DESCRIPTION CODE, TE PN, STYLE & NUMBER OF POSITIONS, TERMINATION POSTS, LOADED ROWS, PERFORMANCE LEVEL, BOARD LOCKS. Contains multiple rows of connector specifications.

3) ACCORDING TO BT 236 LEVEL 2.
2) CONNECTORS HAVE A FLUX-TIGHT COATING.
1) NO COMPANY NAME MARKED ON THE CONNECTOR.

ACTIVE PART NUMBERS.
CONTACT TE FOR OTHER CONFIGURATION AVAILABILITY

Technical drawing header and footer including dimensions, tolerances, material, weight, and customer drawing information.

## X-ON Electronics

Largest Supplier of Electrical and Electronic Components

*Click to view similar products for [DIN 41612 Connectors](#) category:*

*Click to view products by [TE Connectivity](#) manufacturer:*

Other Similar products are found below :

[004.767](#) [608489050008049](#) [691327-1](#) [74670-0732](#) [74680-0340](#) [75880-0015](#) [76453-0014](#) [86093159ALF](#) [9732967801](#) [QLC260R](#)  
[120X10019X](#) [120X10089X](#) [122A10249X](#) [122A11089X](#) [122A13089X](#) [122A10089X](#) [122A10129X](#) [122A10349X](#) [122A13359X](#) [1377391-4](#)  
[DIN-048CPC-SR1-MH](#) [1393583-2](#) [1393726-7](#) [140X10129X](#) [143-1913-000](#) [143-1908-000](#) [1484472-1](#) [2110070-1](#) [2110070-2](#) [CBC20T00-](#)  
[008FDS5-0-1-002VR](#) [172699-5036](#) [2-1393557-4](#) [2-1437084-2](#) [394506](#) [419-2080-402](#) [V42254B2202C968](#) [419-2086-201](#) [419-2087-002](#)  
[448657-1](#) [448847-3](#) [5-1393755-9](#) [02990000004](#) [054302](#) [043556](#) [09062483201750](#) [0850033067](#) [09031646555](#) [09061486901840](#)  
[09185107324800](#) [102A10019X](#)