

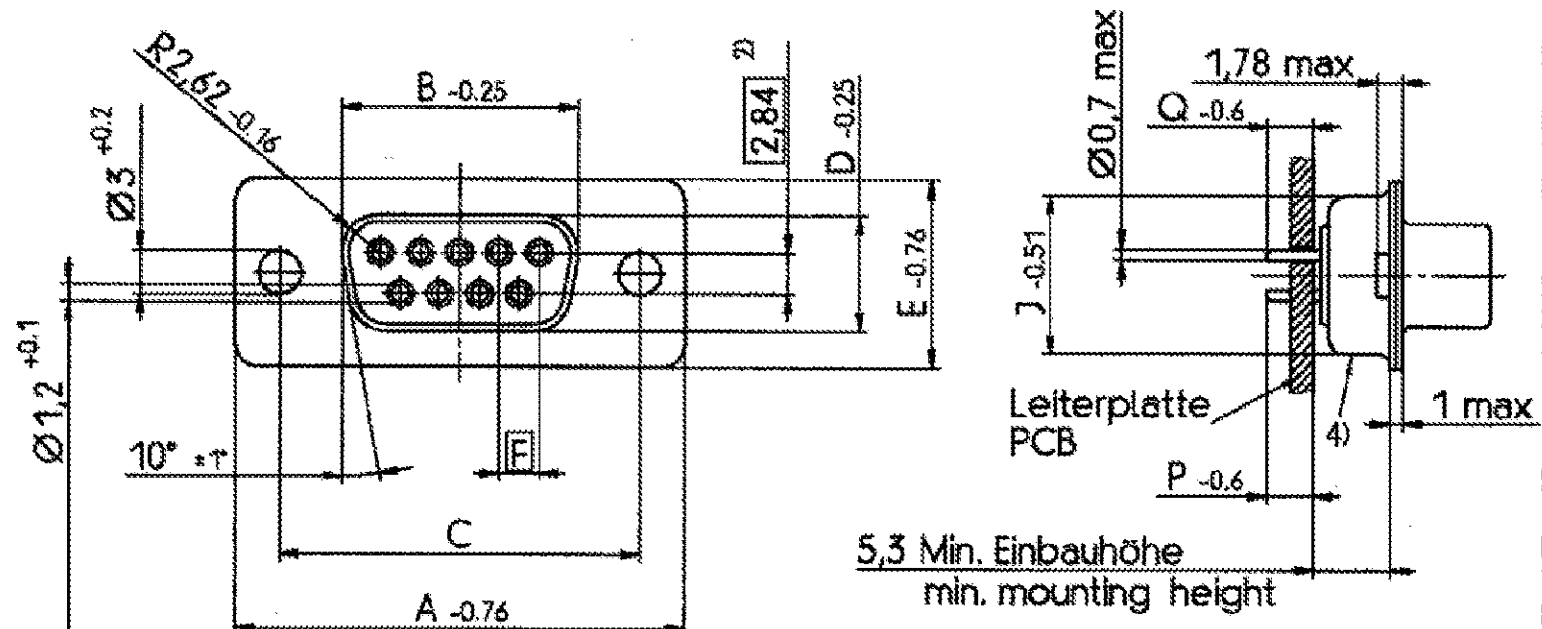
THIS INFORMATION IS CONFIDENTIAL AND PROPRIETARY TO TYCO ELECTRONICS CORPORATION AND ITS WORLDWIDE SUBSIDIARIES AND AFFILIATES. IT MAY NOT BE DISCLOSED TO ANYONE, OTHER THAN TYCO ELECTRONICS PERSONNEL, WITHOUT WRITTEN AUTHORIZATION FROM TYCO ELECTRONICS CORPORATION, HARRISBURG, PENNSYLVANIA, USA

Standardausführung: V42254-A2115-B*** V42254-A2415-B*** 3)
standard type: V42254-A2117-B*** V42254-A2417-B*** 3)
 V42254-A2315-B*** V42254-A2515-B*** 3)
 V42254-A2317-B*** V42254-A2517-B*** 3)

- 1) nach DIN 41652 T.2 und T.4
- 2) Bemerkung: 50-polig: dreireihig
- 3) nicht für 50-polig
- 4) keine TE-Beschriftung bei:
 V42254-A2*17-B*** V42254-A2132-B*** V42254-A2152-B***
 V42254-A2*18-B*** V42254-A2133-B*** V42254-A2153-B***
 V42254-A2122-B*** V42254-A2142-B***
- 5) Rille zur optischen Erkennung der Bolzentypen mit M3-Gewinde
- 6) Blechteile örtlich herunter gedrückt
- 7) Nur bei Ausführung mit Lötstiftlänge P = 3,2mm
- 8) Sicke nur bei den 4 äußeren Masselötstiften.

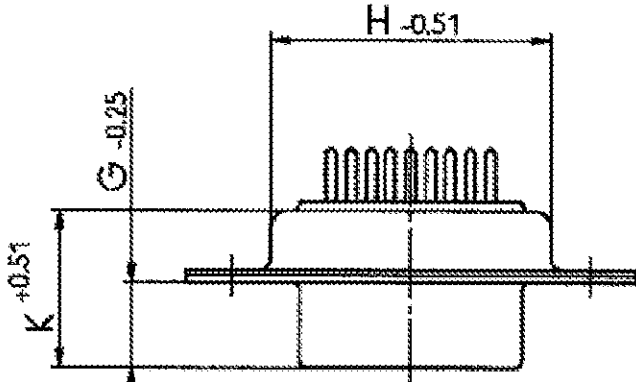
- 1) according to DIN 41652 p.2 and p.4
- 2) note: 50-contact version: 3 contact rows
- 3) not for 50-contact version
- 4) no TE-marking for:
 V42254-A2*17-B*** V42254-A2132-B*** V42254-A2152-B***
 V42254-A2*18-B*** V42254-A2133-B*** V42254-A2153-B***
 V42254-A2122-B*** V42254-A2142-B***
- 5) groove in the stud bolts with M3 thread (visual recognition)
- 6) shells pressed down locally
- 7) only for versions with soldering-pin length of P = 3,2mm
- 8) only the four corner grounding soldering-pins have a rib

9) OBSOLETE PARTS: OBSOLETE CIS STREAMLINING PER D.RENAUD/D.SINISI
 10) OBSOLETE



5,3 Min. Einbauhöhe
min. mounting height

alle Kontakte
 all contacts
 Ø 0.08



Ordering code Sachnr. V42254-A2*1*-	dimension Maß Polzahl No. of contacts	dimension										
		A	B	C	D	E	F	G	H	J	K	
B*09	09	31.19	16.46	25.0 ±0.12 ±0.13	8.02	12.93	2.74	6.3	19.53	10.97	10.64	
B*15	15	39.52	24.79	33.3 ±0.15 ±0.1	8.02	12.93	2.74	6.3	27.76	10.97	10.64	
B*25	25	53.42	38.5	47.04 ±0.13 ±0.13	8.02	12.93	2.76	6.3	41.53	10.97	10.64	
B*37	37	69.7	54.96	63.5 ±0.13 ±0.13	8.02	12.93	2.76	6.3	57.96	10.97	10.64	
B*50	50 ²⁾	67.31	52.55	61.1 ±0.14 ±0.14	10.87	15.75	2.76	6.3	55.58	13.82	10.64	

V42254-	P	Q
A211*-+***	3.2	3.2
A231*-+***	5.55	5.55
A241*-+*** ³⁾	1.55	1.55
A251*-+*** ³⁾	13.65	14.05

Anforderungsstufe,
performance level¹⁾

dargestellt wird die 9-polige Ausführung
drawn is the 9-contacts version

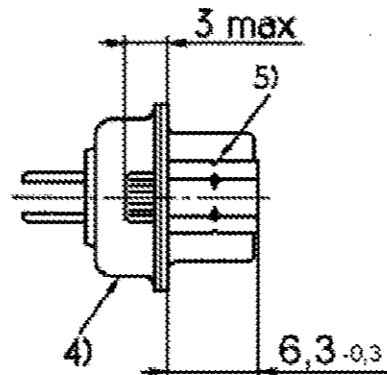
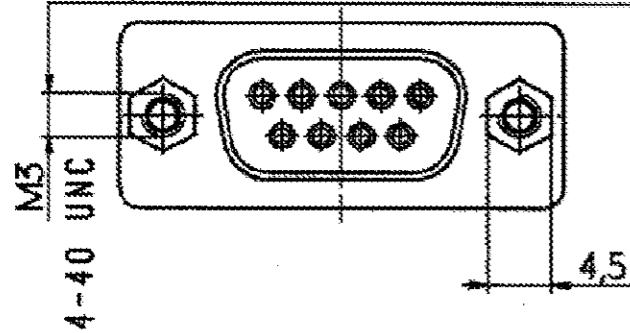
TE Connectivity
 SCALE 2:1
 MATERIAL
 PART NAME Sub-D Loetstiften gerade
 Buchserleiste
 D-Sub straight soldering pins
 female connector
 PART NO. V42254-A2***-B***-*-27
 DATE 01.03.90
 NAME Embo
 DEP. PE Com PE&SE
 TOLERANCE UNLESS SPECIFIED OTHERWISE
 Customer Drawing Nr. C-7-1393483-1
 OF 8

PROPRIETARY:

mit Gewindebolzen:
with screwlock stud bolts:

- M3: 4-40 UNC:
- | | |
|----------------------|----------------------|
| V42254-A2119-B*** | V42254-A2116-B*** |
| V42254-A2319-B*** | V42254-A2316-B*** |
| V42254-A2419-B*** 3) | V42254-A2416-B*** 3) |
| V42254-A2519-B*** 3) | V42254-A2516-B*** 3) |
| | V42254-A2118-B*** |
| | V42254-A2318-B*** |
| | V42254-A2418-B*** 3) |
| | V42254-A2518-B*** 3) |

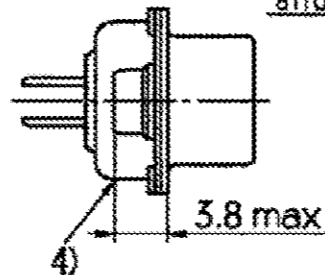
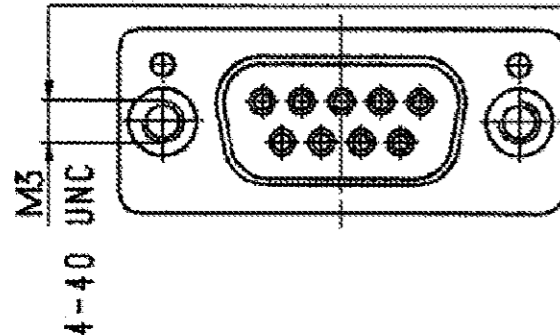
Verdrehsicherheit ≥ 70 Ncm
torque retention ≥ 70 Ncm



mit Stop-Mutter / Gewindeeinsatz:
with thread:

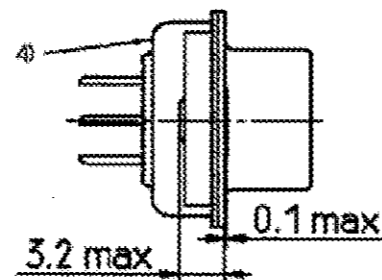
- M3: 4-40 UNC:
- | | |
|----------------------|----------------------|
| V42254-A2114-B*** 3) | V42254-A2112-B*** 3) |
| V42254-A2314-B*** 3) | V42254-A2312-B*** 3) |
| V42254-A2414-B*** | V42254-A2412-B*** |
| V42254-A2514-B*** | V42254-A2512-B*** |

Verdrehsicherheit ≥ 130 Ncm
torque retention ≥ 130 Ncm

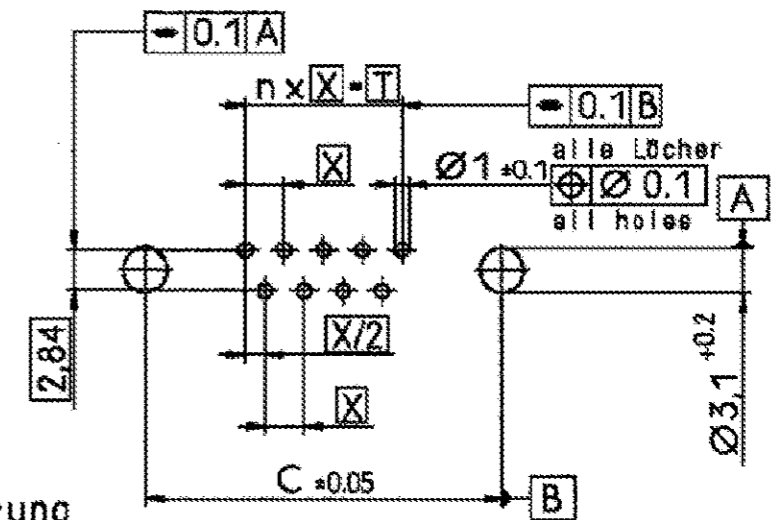


mit Stop-Mutter (für 9-, 15-, 25- u. 37-pol Ausführung):
with self locking press-in nuts (for 9-, 15-, 25-
and 37-contacts versions):

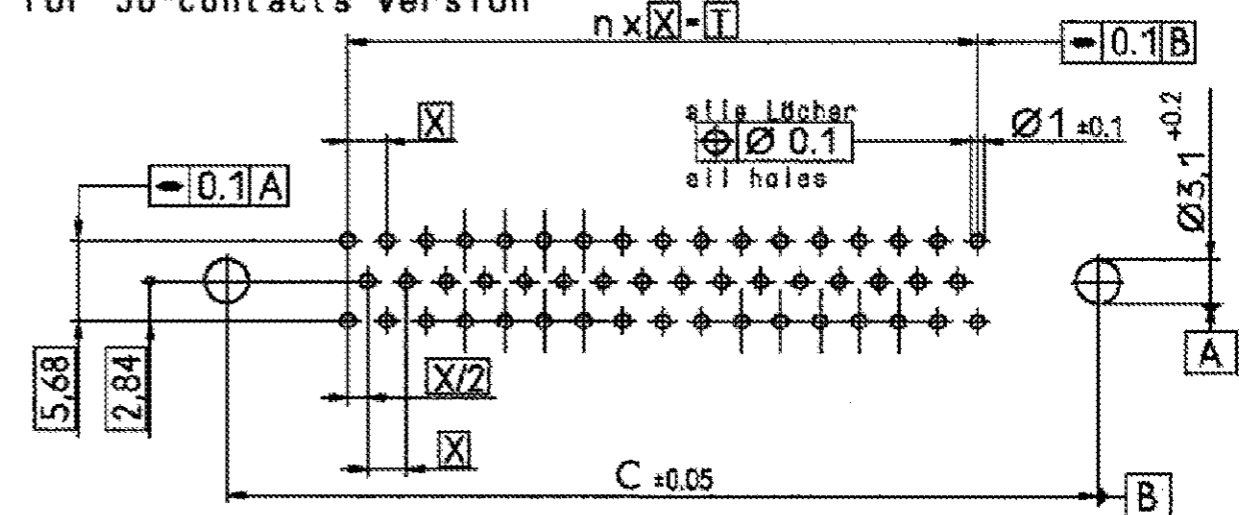
mit Gewindeeinsatz (nur für 50-pol. Ausführung):
with thread insert (only for 50-contacts version):



Leiterplattenbohrung
PCB layout



für 50-polige Ausführung
for 50-contacts version



Polzahl No. of contacts	n	Abmessungen in mm dimensions in mm		
		C	T	X
9	4	25.0	10.96	2.74
15	7	33.3	19.18	2.74
25	12	47.04	33.12	2.76
37	18	63.5	49.68	2.76
50	16	61.1	44.16	2.76

Erläuterungen: Seite 1
dargestellt wird die 9-polige Ausführung
remarks: see page 1
drawn is the 9-contacts version

TE TE Connectivity

SCALE 2:1 WEIGHT

MATERIAL

PART NAME Sub-D Loetstiften gerade
Buchsenleiste
D-Sub straight soldering pins
female connector

PART NO. V42254-A2***-B***-27

DATE 01.03.90
NAME Embo
DEP. PE Com PE&SE

TOLERANCE UNLESS SPECIFIED OTHERWISE

REV. CHANGE ORDER DATE APP. Customer Drawing Nr. C-7-1393483-1

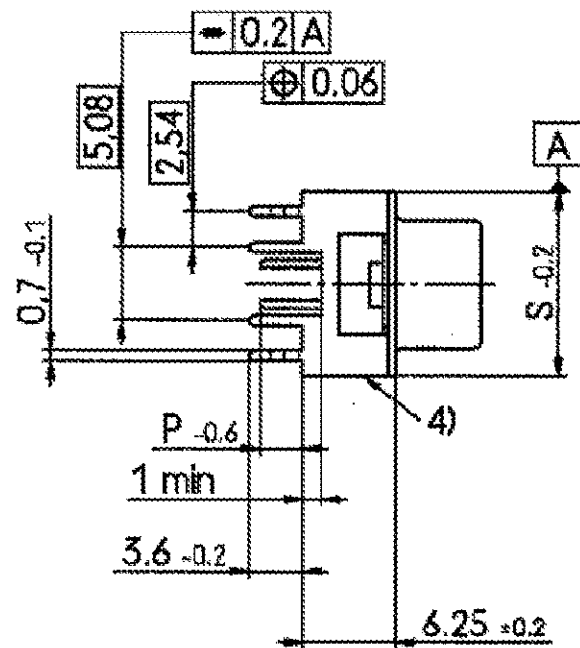
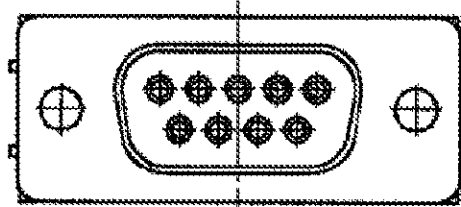
SH. 21
OF 8

THIS INFORMATION IS CONFIDENTIAL AND PROPRIETARY TO TYCO ELECTRONICS CORPORATION AND ITS WORLDWIDE SUBSIDIARIES AND AFFILIATES. IT MAY NOT BE DISCLOSED TO ANYONE, OTHER THAN TYCO ELECTRONICS PERSONNEL, WITHOUT WRITTEN AUTHORIZATION FROM TYCO ELECTRONICS CORPORATION, HARRISBURG, PENNSYLVANIA, USA

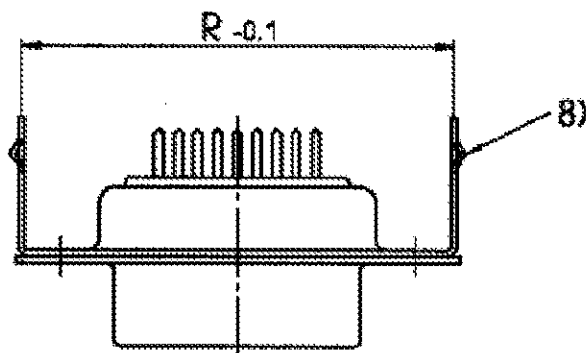
PROPRIETARY:

mit Masselötlötstiften:
with grounding soldering pins: 3)

V42254-A2215-B***
V42254-A2217-B***
V42254-A2815-B***
V42254-A2817-B***



V42254-	P
A221*-+***	3.2
A281*-+***	5.55



Sachnr. ordering code V42254-A2*1*-	Polzahl No. of contacts	dimension Maß	
		R	S
8*09	09	30.4	12.4
8*15	15	38.8	12.4
8*25	25	52.8	12.4
8*37	37	69.1	12.4

Anforderungsstufe,
performance level 1)

Erläuterungen: Seite 1
dargestellt wird die 9-polige Ausführung
remarks: see page 1
drawn is the 9-contacts version

TE TE Connectivity		SCALE 2:1	WEIGHT
DIMENSIONS IN MM		MATERIAL	
DATE 01.03.93	NAME Emco	PART NAME Sub-D Loetstiften gerade Buchsenleiste D-Sub straight soldering pins female connector	
DEP. PE Com PE&SE			
TOLERANCE UNLESS SPECIFIED OTHERWISE		PART NO.	SHT. 3+
SEE SHEET 1		V42254-A2***-B***-27	
REV. CHANGE ORDER	DATE	APP. Customer Drawing Nr. C-7-1393483-1	OF 8

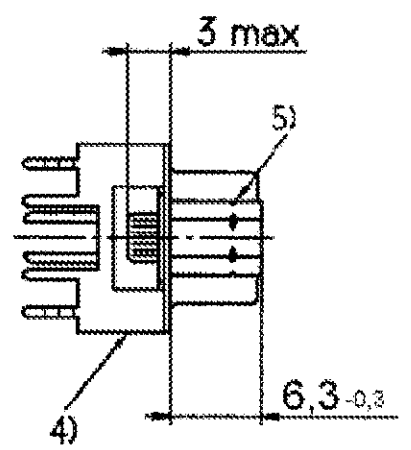
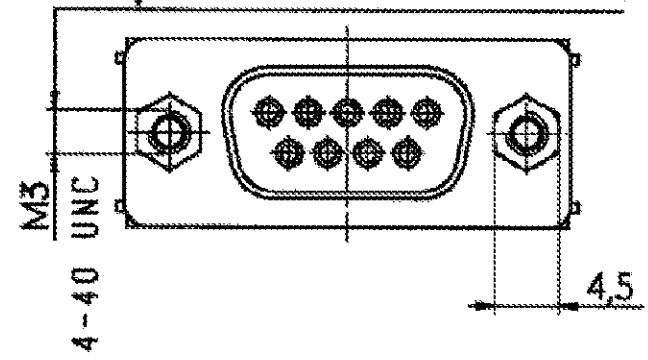
PROPRIETARY: THIS INFORMATION IS CONFIDENTIAL AND PROPRIETARY TO TYCO ELECTRONICS CORPORATION AND ITS WORLDWIDE SUBSIDIARIES AND AFFILIATES. IT MAY NOT BE DISCLOSED TO ANYONE, OTHER THAN TYCO ELECTRONICS PERSONNEL, WITHOUT WRITTEN AUTHORIZATION FROM TYCO ELECTRONICS CORPORATION, HARRISBURG PENNSYLVANIA USA

THIS INFORMATION IS CONFIDENTIAL AND PROPRIETARY TO TYCO ELECTRONICS CORPORATION AND ITS WORLDWIDE SUBSIDIARIES AND AFFILIATES. IT MAY NOT BE DISCLOSED TO ANYONE, OTHER THAN TYCO ELECTRONICS PERSONNEL, WITHOUT WRITTEN AUTHORIZATION FROM TYCO ELECTRONICS CORPORATION, HARRISBURG PENNSYLVANIA USA

mit Masselötstiften und Gewindebolzen:
 with grounding soldering-pins and screwlock stud bolts: 3)

M3: 4-40 UNC:
 V42254-A2219-B*** V42254-A2216-B***
 V42254-A2218-B***
 V42254-A2819-B*** V42254-A2816-B***
 V42254-A2818-B***

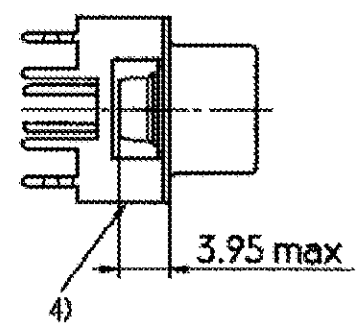
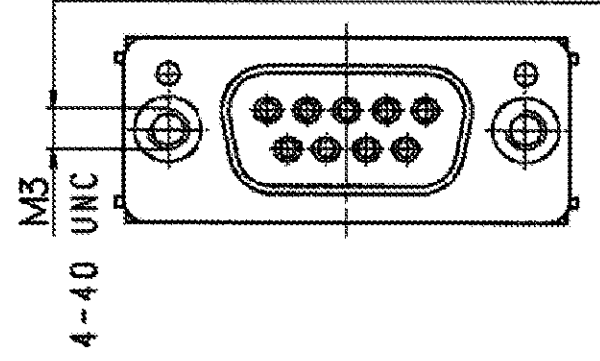
Verdrehsicherheit ≥ 70 Ncm
 torque retention ≥ 70 Ncm



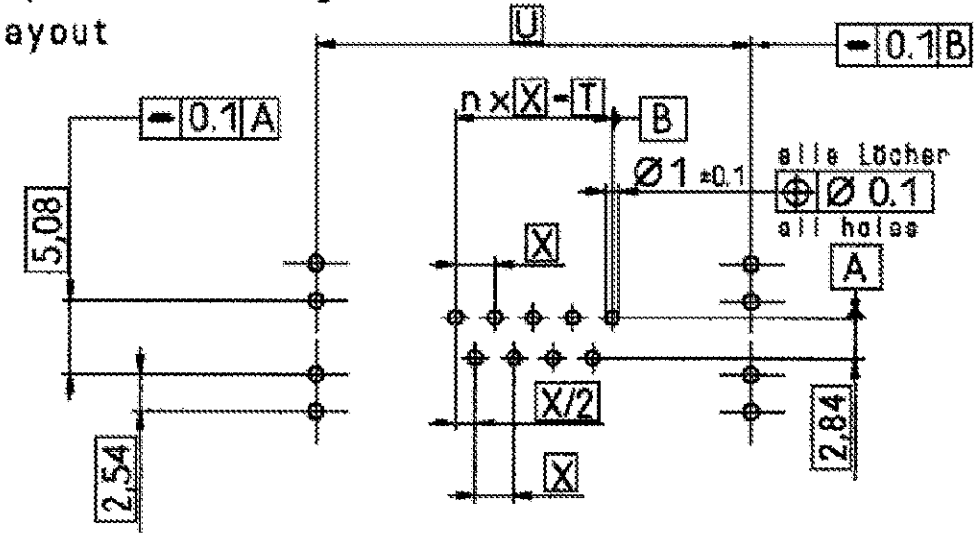
mit Masselötstiften und Stop-Mutter:
 with grounding soldering-pins and thread: 3)

M3: 4-40 UNC:
 V42254-A2214-B*** V42254-A2212-B***
 V42254-A2814-B*** V42254-A2812-B***

Verdrehsicherheit ≥ 130 Ncm
 torque retention ≥ 130 Ncm



Leiterplattenbohrung
 PCB layout



Polzahl No. of contacts	n	Abmessungen in mm dimensions in mm		
		T	U	X
9	4	10.96	30.4	2.74
15	7	19.18	38.8	2.74
25	12	33.12	52.7	2.76
37	18	49.68	69.1	2.76

Erläuterungen: Seite 1
 dargestellt wird die 9-polige Ausführung
 remarks: see page 1
 drawn is the 9-contacts version

TE Connectivity

SCALE 2:1 WEIGHT

MATERIAL

DATE 01.03.90
 NAME Embo
 DEP. PE Com PE&SE

PART NAME Sub-D Loetsliften gerade
 Buchsenteiste
 D-Sub straight soldering pins
 female connector

PART NO. V42254-A2***-B***-27 SH. 4+

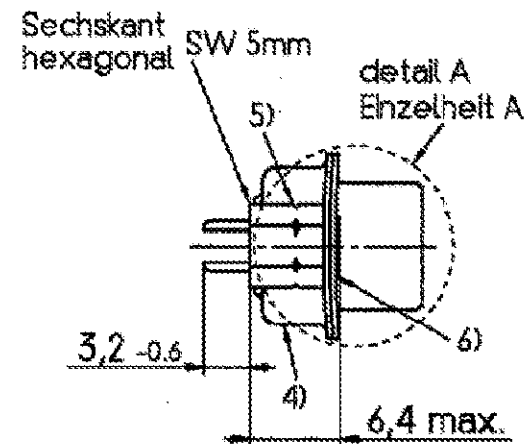
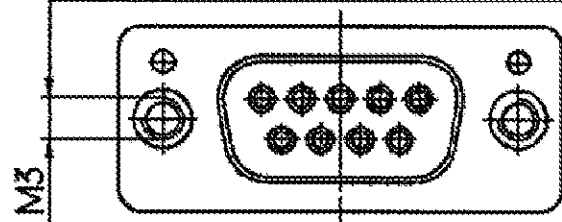
Customer Drawing Nr. C-7-1393483-1 OF 8

THIS INFORMATION IS CONFIDENTIAL AND PROPRIETARY TO TYCO ELECTRONICS CORPORATION AND ITS WORLDWIDE
 SUBSIDIARIES AND AFFILIATES. IT MAY NOT BE DISCLOSED TO ANYONE, OTHER THAN TYCO ELECTRONICS PERSONNEL,
 WITHOUT WRITTEN AUTHORIZATION FROM TYCO ELECTRONICS CORPORATION, HARRISBURG PENNSYLVANIA USA

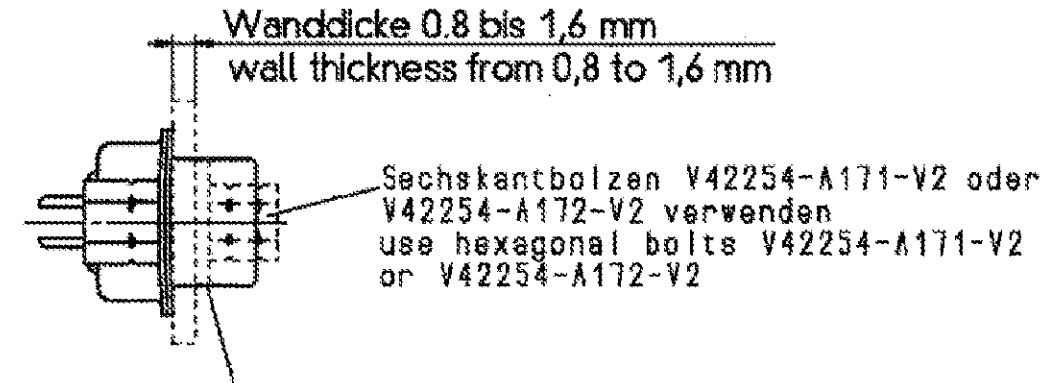
mit Distanzbolzen :
with distance bolts: 7)

V42254-A2120-B***
V42254-A2122-B***

Verdrehsicherheit ≥ 20 Ncm
torque retention ≥ 20 Ncm



Montageart
mounting type

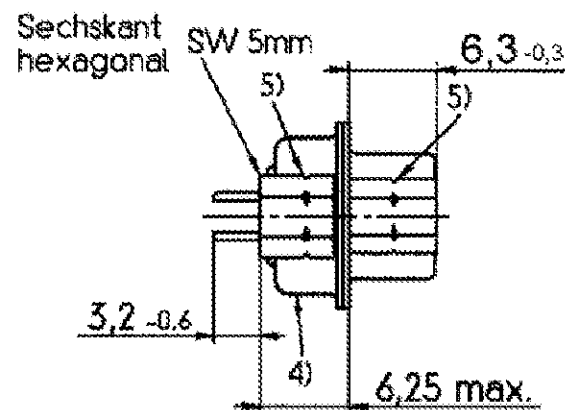
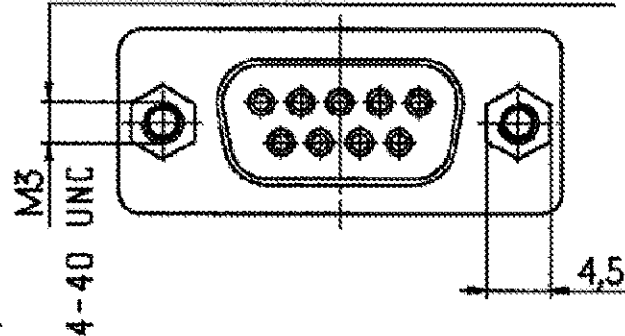


Falls notwendig Distanzscheiben verwenden
if necessary, use washer(s)

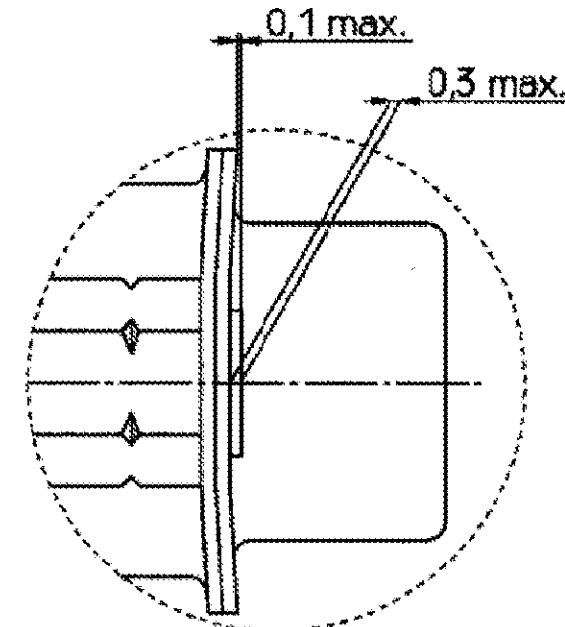
mit Gewinde- und Distanzbolzen:
with screwlock stud bolts and distance bolts: 7)

	Gewindebolzen screwlock stud bolts	Distanzbolzen distance bolts
V42254-A2130-B***	M3	M3
V42254-A2131-B***	4-40 UNC	M3
V42254-A2192-B***	M3	M3
V42254-A2193-B***	4-40 UNC	M3

Verdrehsicherheit ≥ 80 Ncm
torque retention ≥ 80 Ncm



Einzelheit A (5:1)
detail A



Erläuterungen: Seite 1
dargestellt wird die 9-polige Ausführung
remarks: see page 1
drawn is the 9-contacts version

TE TE Connectivity		SCALE 2:1	WEIGHT
DIMENSIONS IN MM		MATERIAL	
DATE	D1.05.90	PART NAME	
NAME	Embg	Sub-D Loetstiften gerade	
DEP.	PE Com PE&SE	Buchsenleiste	
TOLERANCE UNLESS SPECIFIED OTHERWISE		PART NO.	
SEE SHEET 1		V42254-A2***-B***-27	
REV.	CHANGE ORDER	DATE	APP.
Customer Drawing Nr. C-7-1593483-1		SHT.	5+
		OF 8	

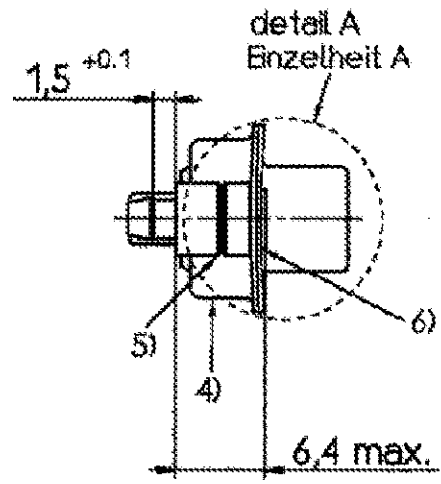
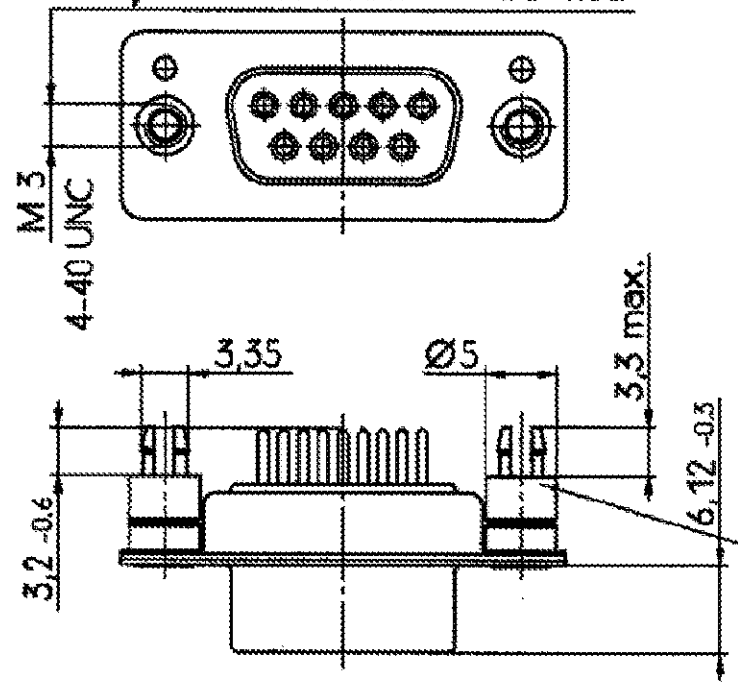
PROPRIETARY:

THIS INFORMATION IS CONFIDENTIAL AND PROPRIETARY TO TYCO ELECTRONICS CORPORATION AND ITS WORLDWIDE SUBSIDIARIES AND AFFILIATES. IT MAY NOT BE DISCLOSED TO ANYONE, OTHER THAN TYCO ELECTRONICS PERSONNEL, WITHOUT WRITTEN AUTHORIZATION FROM TYCO ELECTRONICS CORPORATION, HARRISBURG PENNSYLVANIA USA.

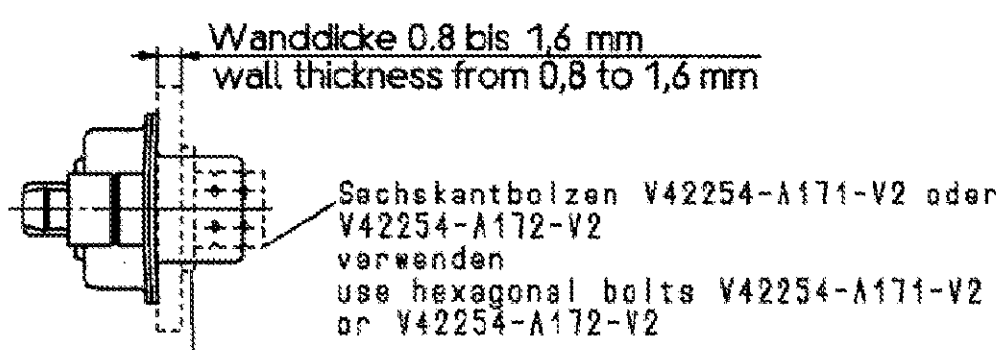
mit Distanzbolzen und Clip :
with distance bolts and grounding socket : 7)

M3 : V42254-A2140-B*** 4-40 UNC : V42254-A2141-B***
V42254-A2142-B***

Verdrehsicherheit ≥ 20 Ncm
torque retention ≥ 20 Ncm

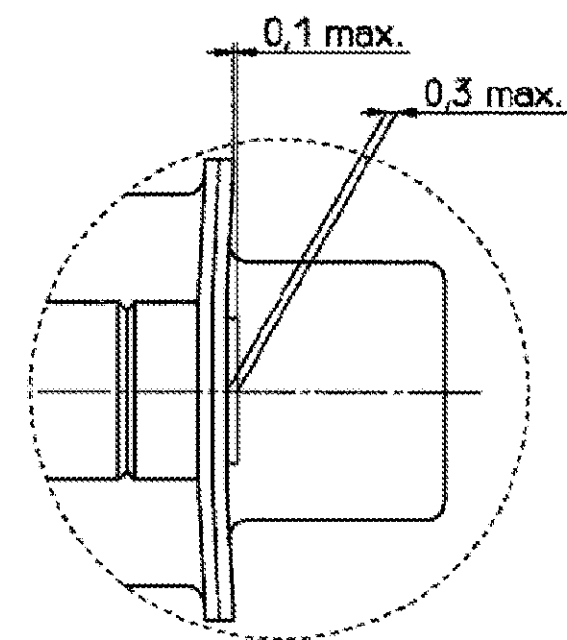


Montageart
mounting type



Falls notwendig Distanzscheiben verwenden
if necessary, use washer(s)

Einzelheit A (5:1)
detail A

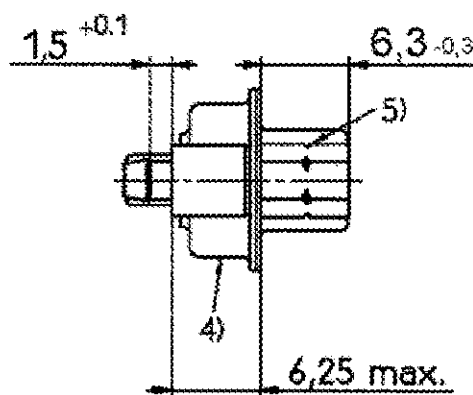
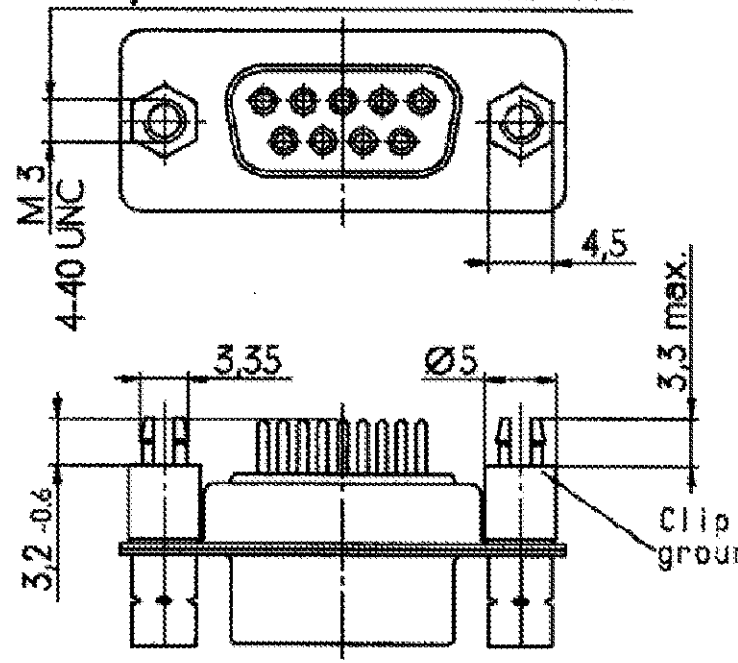


Clip für :
grounding socket for:
- Loch: $\varnothing 3,2^{+0.1}$
hole:
- LP-Dicke: PCB thickness: $1,5^{+0.1}$

mit Gewinde- und Distanzbolzen mit Clip :
with screwlock stud bolts and distance bolts and grounding socket : 7)

M3 : V42254-A2150-B*** 4-40 UNC : V42254-A2151-B***
V42254-A2152-B*** V42254-A2153-B***

Verdrehsicherheit ≥ 80 Ncm
torque retention ≥ 80 Ncm



Erläuterungen: Seite 1
dargestellt wird die 9-polige Ausführung
remarks: see page 1
drawn is the 9-contacts version

Clip für :
grounding socket for:
- Loch: $\varnothing 3,2^{+0.1}$
hole:
- LP-Dicke: PCB thickness: $1,5^{+0.1}$

STE TE Connectivity		SCALE 2:1	WEIGHT
DIMENSIONS IN MM		MATERIAL	
DATE 01.03.90	NAME Embo	PART NAME Sub-D Loetstiften gerade	
DEP. PE Com PE&SE		Buchsenleiste	
		D-Sub straight soldering pins	
		female connector	
SEE SHEET 1		PART NO.	S-IT
		V42254-A2***-B***-27	61
REV	CHANGE ORDER	DATE	APP.
			Customer Drawing Nr. C-7-1393483-1
			OF 8

V 4 2 2 5 4 - A 2 * * * - B * * *

Anschlußausführung // connection type	
1	Lotestiftlänge 3,2mm // soldering pin length 3.2mm
2	Lotestiftlänge 3,2mm // soldering pin length 3.2mm mit Masseblechbohrung 1) // with grounding soldering pins
3	Lotestiftlänge 5,55mm // soldering pin length 5.55mm
4	Lotestiftlänge 1,93mm 1) // soldering pin length 1.93mm 1)
5	Lotestiftlänge 14,05mm 1) // soldering pin length 14.05mm 1)
6	Lotestiftlänge 5,55mm // soldering pin length 5.55mm mit Masseblechbohrung 1) // with grounding soldering pins 1)

Steckerart // connector type	
8	Buchsenleiste // female connector

Kontaktüberfläche // Kontaktart // contact surface // contact type	
1	Anforderungsstufe 1 // parallel Kontakte // performance level I // rolled contacts
2	Anforderungsstufe 2 // parallel Kontakte // performance level II // rolled contacts

Polzahl // no. of contacts	
08	8-polig // 8-contacts
15	15-polig // 15-contacts
24	23-polig // 23-contacts
37	37-polig // 37-contacts
50	50-polig // 50-contacts

Steckverbinderunterzeichnung // connector hardware

1*

Standardausführung + Ausführung mit Gewindebohrung oder Gewindebohrung standard version + version with thread insert or screwlock stud bolts			
	all TE- Beschreibung auf Blechteil with TE- marking on the shell	all Strip- bohrer with thread insert	all Gewinde- bohrer with screwlock stud bolts
12	ja // yes	4-40UNC	nein // no
14	ja // yes	M3	nein // no
15	ja // yes	nein // no	nein // no
16	ja // yes	nein // no	4-40UNC
17	nein // no	nein // no	nein // no
18	nein // no	nein // no	4-40UNC
19	ja // yes	nein // no	M3

2)

Ausführung mit Distanzbohrern version with distance bolts		
	Distanzbohrer distance bolts	all TE- Beschreibung auf Blechteil with TE- marking on the shell
20	M3	ja // yes
22	M3	nein // no

2)

Ausführung mit Gewindebohrern und Distanzbohrern version with screwlock stud bolts and distance bolts			
	all Gewinde- bohrer with screwlock stud bolts	all Distanz- bohrer with distance bolts	all TE- Beschreibung auf Blechteil with TE- marking on the shell
30	M3	M3	ja // yes
31	4-40UNC	M3	ja // yes
32	M3	M3	nein // no
33	4-40UNC	M3	nein // no

2)

Ausführung mit Distanzbohrern mit Clip version with distance bolts and grounding socket		
	all Distanz- bohrer with distance bolts	all TE- Beschreibung auf Blechteil with TE- marking on the shell
40	M3 + Clip grounding socket	ja // yes
41	4-40UNC + Clip grounding socket	ja // yes
42	M3 + Clip grounding socket	nein // no

2)

Ausführung mit Gewindebohrern und Distanzbohrern mit Clip version with screwlock stud bolts and distance bolts and grounding socket			
	all Gewinde- bohrer with screwlock stud bolts	all Distanz- bohrer with distance bolts	all TE- Beschreibung auf Blechteil with TE- marking on the shell
50	M3 Clip grounding socket	ja // yes	ja // yes
51	4-40UNC Clip grounding socket	ja // yes	ja // yes
52	M3 Clip grounding socket	nein // no	nein // no
53	4-40UNC Clip grounding socket	nein // no	nein // no

PERFORMANCE LEVEL 2 CONTACT FINISH:
Au or Au FLASH OVER PONI

THIS INFORMATION IS CONFIDENTIAL AND PROPRIETARY TO TYCO ELECTRONICS CORPORATION AND ITS WORLDWIDE SUBSIDIARIES AND AFFILIATES. IT MAY NOT BE DISCLOSED TO ANYONE, OTHER THAN TYCO ELECTRONICS PERSONNEL, WITHOUT WRITTEN AUTHORIZATION FROM TYCO ELECTRONICS CORPORATION, HARRISBURG, PENNSYLVANIA, USA.

1) nicht für 30-polig
2) nur für Lotestiftlänge 3,2mm
3) nur für 30-Kontakt-Version
2) not for soldering pin length 3.2mm

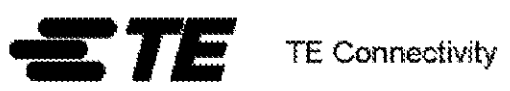
		TE Connectivity		SCALE		WEIGHT	
DATE: 01.02.93		NAME: T800		MATERIAL			
APR: REC CE C/PD		PART NAME		Sub-D Lotstiften gerade			
TOLERANCE LABEL		PART NO.		V42254-A2****-B****-27		9-7+	
REV. CHANGE ORDER		DATE		Customer Drawing No. C-1-1975483-1		of 8	

THIS INFORMATION IS CONFIDENTIAL AND PROPRIETARY TO TYCO ELECTRONICS CORPORATION AND ITS WORLDWIDE
 SUBSIDIARIES AND AFFILIATES. IT MAY NOT BE DISCLOSED TO ANYONE, OTHER THAN TYCO ELECTRONICS PERSONNEL,
 WITHOUT WRITTEN AUTHORIZATION FROM TYCO ELECTRONICS CORPORATION, HARRISBURG, PENNSYLVANIA USA

PROPRIETARY:

TE PARTNUMBER	OLD PARTNUMER (Description)	
1-1393484-0	V42254A2140B125	
1-1393484-1	V42254A2140B137	OBSOLETE
1-1393484-2	V42254A2140B209	
1-1393484-5	V42254A2141B209	OBSOLETE
1-1393484-6	V42254A2141B215	OBSOLETE
1-1393484-7	V42254A2141B225	OBSOLETE
1-1393484-8	V42254A2141B237	OBSOLETE
1-1393740-3	V42254A2115B250	OBSOLETE
1-1393740-7	V42254A2212B209	OBSOLETE
1-1393740-8	V42254A2212B215	OBSOLETE
1-1393740-9	V42254A2212B225	OBSOLETE
1393484-9	V42254A2116B209	OBSOLETE
1393484-4	V42254A2116B225	OBSOLETE
1393484-5	V42254A2116B237	OBSOLETE
1393484-8	V42254A2140B109	
1393484-9	V42254A2140B115	
1393741-1	V42254A2812B215	
1393741-3	V42254A2816B109	
1393741-4	V42254A2816B115	OBSOLETE
1393741-5	V42254A2819B209	
1393741-6	V42254A2819B225	
1485839-1	V42254A21XXB209	
1485839-2	V42254A21XXB215	
1485839-3	V42254A21XXB215P	
1485839-4	V42254A21XXB225	
1485839-5	V42254A21XXB225P	
1485839-6	V42254A21XXB237	
1857994-3	25p Sub-D PCB Rec 4-40 UNC Scr.Lck+Clp	OBSOLETE
2-1393484-2	V42254A2151B209	OBSOLETE
2-1393484-3	V42254A2151B215	OBSOLETE
2-1393484-4	V42254A2151B225	OBSOLETE
2-1393740-8	V42254A2214B209	
2-1393740-9	V42254A2214B215	OBSOLETE
3-1393484-1	V42254A2315B109	OBSOLETE
3-1393484-2	V42254A2315B115	OBSOLETE
3-1393484-3	V42254A2315B209	OBSOLETE
3-1393484-4	V42254A2315B215	OBSOLETE
3-1393484-5	V42254A2315B225	OBSOLETE
3-1393484-6	V42254A2315B237	OBSOLETE
3-1393740-0	V42254A2214B225	OBSOLETE
3-1393740-1	V42254A2214B237	OBSOLETE
4-1393740-4	V42254A2215B209	OBSOLETE
4-1393740-5	V42254A2215B215	OBSOLETE

TE PARTNUMBER	OLD PARTNUMER (Description)	
4-1393740-6	V42254A2215B225	OBSOLETE
4-1393740-7	V42254A2215B237	OBSOLETE
6-1393740-6	V42254A2216B109	OBSOLETE
6-1393740-7	V42254A2216B115	OBSOLETE
6-1393740-8	V42254A2216B125	OBSOLETE
6-1393740-9	V42254A2216B137	
7-1393483-1	SUB D FEDERLEISTE	OBSOLETE
7-1393483-2	V42254A2112B225	
7-1393483-5	SUB D FEDERLEISTE	OBSOLETE
7-1393483-6	V42254A2114B215	OBSOLETE
7-1393740-0	V42254A2216B209	
7-1393740-1	V42254A2216B215	
7-1393740-2	V42254A2216B225	
7-1393740-3	V42254A2216B237	
8-1393483-6	V42254A2115B125	OBSOLETE
8-1393483-7	V42254A2115B209	
8-1393483-8	V42254A2115B215	OBSOLETE
8-1393483-9	V42254A2115B225	OBSOLETE
8-1393740-7	SUB D FEDERLEISTE	OBSOLETE
8-1393740-8	SUB D FEDERLEISTE	OBSOLETE
8-1393740-9	SUB D FEDERLEISTE	OBSOLETE
9-1393483-0	V42254A2115B237	OBSOLETE
9-1393740-0	V42254A2219B209	
9-1393740-1	V42254A2219B215	
9-1393740-2	V42254A2219B225	
9-1393740-3	V42254A2219B237	
9-1393740-8	V42254A2315B250	

		SCALE 2:1		WEIGHT
		MATERIAL		
DATE 01.05.90 NAME Embo DEP PE Com PE&SE		DIMENSIONS IN MM LOC GW		PART NAME Sub-D Loetstiften gerade Buchserleiste D-Sub straight soldering pins female connector
TOLERANCE UNLESS SPECIFIED OTHERWISE		PART NO		SHT. 8+
SEE SHEET 1		V42254-A2***-B***-*-27		OF 8
REV.	CHANGE ORDER	DATE	APP.	Customer Drawing Nr. G-7-1393483-1

X-ON Electronics

Largest Supplier of Electrical and Electronic Components

Click to view similar products for [D-Sub Standard Connectors](#) category:

Click to view products by [TE Connectivity](#) manufacturer:

Other Similar products are found below :

[015-0339-000](#) [015-0341-000](#) [015-0349-000](#) [015-0350-000](#) [015-8544-011](#) [015-8755-001](#) [017041-0005](#) [020419-0104](#) [609-25P](#) [609-9P](#)
[M24308/2-23Z](#) [CT0-24-10SC](#) [CT0-36-3PC](#) [CT0E20-8PS](#) [CT0F16S-1PS](#) [CT1E20-19SS](#) [CT2-10SL-3SC](#) [CT2-14S-2PCA34](#) [CT2-18-](#)
[11PCAU](#) [CT2-22-19SC](#) [CT6-10SL-3SC](#) [CT6-10SL-4SC](#) [CT6-14S-2SC](#) [CT6-16-12SC](#) [CT6-18-10PSA206](#) [CT6-18-10PSA232](#) [CT6-18-](#)
[11PXSA206](#) [CT6-18-11PXSA232](#) [CT6-22-10PS](#) [CT6-24-5PC](#) [CT6-9767-18-8-18-4SS](#) [CT6E14S-5SC](#) [CT6E14SA7SC](#) [CT6E22-14PC](#)
[CT6E22-14PS](#) [CT6E22-19PS](#) [CT6E22-22PS](#) [CT6E24-10SC](#) [CT6F14S-5SC](#) [CT6F16S-1SC](#) [CT6FA10SL-4PS](#) [CT6M20-19SS](#) [CT6NSB4-20-](#)
[8SS](#) [CT6TC14S-6SC](#) [CT6TC14S-6SCAU](#) [CT6TC14S-7PS](#) [6STD15SCT99S40X](#) [6STF09PCM05B70X](#) [D20420-80](#) [7-135760-9](#)