

THIS DRAWING IS UNPUBLISHED. RELEASED FOR PUBLICATION
 © COPYRIGHT - By - ALL RIGHTS RESERVED.

LOC		DIST		REVISIONS			
P	LTR	DESCRIPTION		DATE	DWN	APVD	
	A	INITIAL RELEASE		20JULY2015	TJ	PS	

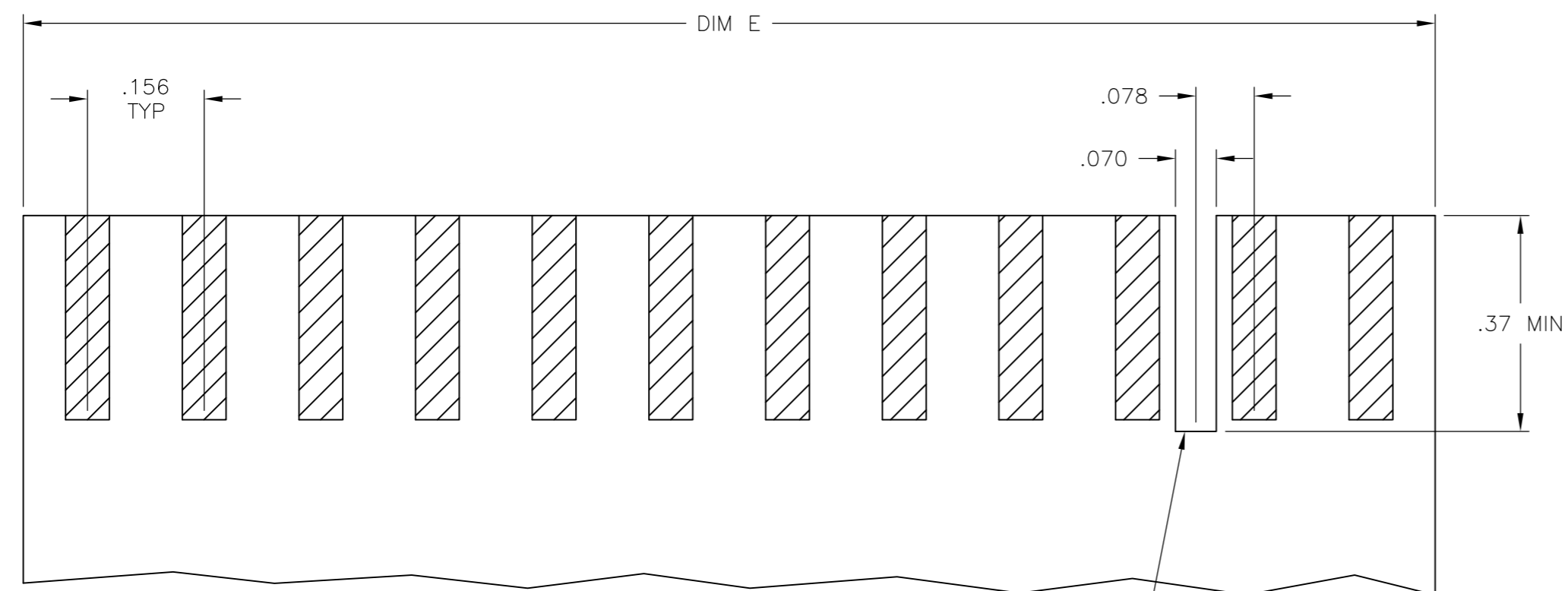
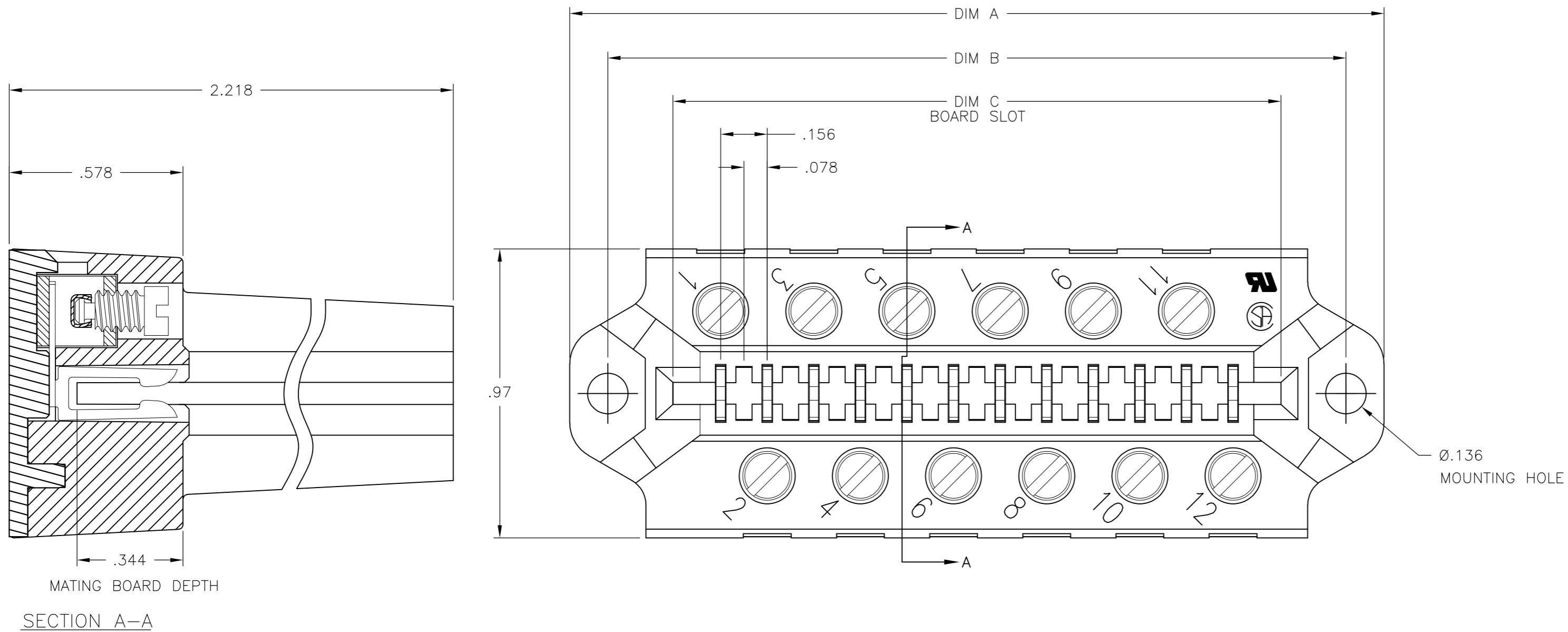
NOTES:

MATERIAL:
 HOUSING: POLYESTER, UL94V-0, BLACK.
 TUBULAR CONTACT: BRASS.
 PC CONTACT: PHOSPHOR BRONZE, GOLD OVER NICKEL PLATE.
 SCREW: 6-32, STEEL, ZINC+ CHROMATE FINISH.
 CLAMP: BRASS

MECHANICAL:
 PITCH: .156"
 MOUNTING SCREW SIZE: #4 or #6
 WIRE STRIP LENGTH: .25"
 RECOMMENDED TIGHTENING TORQUE: 5-8 IN-LBS.
 BOARD INSERTION FORCE: 5.6 OZ. MAX PER CKT.
 BOARD SEPARATION FORCE: 1.8 OZ. MIN PER CKT

ELECTRICAL:
 MAX CURRENT: 10A.
 OPERATING VOLTAGE: 250V.
 DIELECTRIC WITHSTAND: 3000V
 WIRE RANGE: #14 SOLID/STRANDED ONLY.
 INSULATION RESISTANCE: 100 giga-ohms
 CONTACT RESISTANCE: 6 milliohms

ENVIRONMENTAL:
 OPERATING TEMP.: -65°C TO +140°C.



OPTIONAL POLARIZING NOTCH
 LOCATION PER CUSTOMER REQUIREMENT
 USE OPTIONAL POLARIZING KEY CAT. NO. PC17
 PN 1437410-5

RECOMMENDED PCB LAYOUT

	6.857	6.872	7.308	7.558	43	5-1437410-6
OBSOLETE	5.765	5.780	6.216	6.466	36	5-1437410-2
	5.141	5.156	5.592	5.842	32	4-1437410-8
	4.517	4.532	4.968	5.218	28	4-1437410-3
	3.581	3.596	4.032	4.282	22	3-1437410-9
	2.957	2.972	3.408	3.658	18	3-1437410-5
	2.645	2.660	3.096	3.351	16	3-1437410-2
	2.489	2.504	2.940	3.190	15	3-1437410-0
OBSOLETE	2.021	2.036	2.472	2.722	12	2-1437410-6
OBSOLETE	1.709	1.724	2.160	2.410	10	2-1437410-2
	1.397	1.412	1.848	2.098	8	1-1437410-9
STATUS	E	C	B	A	NO OF POSITIONS	TE PART NO

THIS DRAWING IS A CONTROLLED DOCUMENT.		DWN M THAJUDEEN 20JULY2015		
DIMENSIONS: INCHES		CHK NIMBENAPPA GANI 20JULY2015		
TOLERANCES UNLESS OTHERWISE SPECIFIED:		APVD PRASHANTH S 20JULY2015	NAME 0.156 INCH PITCH PCB1B SERIES SELECTIVE GOLD PLATED	
0 PLC ± - 1 PLC ± - 2 PLC ± .02 3 PLC ± .01 4 PLC ± - ANGLES ± 2°		PRODUCT SPEC	SIZE CAGE CODE DRAWING NO RESTRICTED TO	
MATERIAL SEE NOTES		FINISH SEE NOTES	A2 00779 C=1437410	
		WEIGHT -	SCALE NTS SHEET 1 of 1 REV A	
		CUSTOMER DRAWING		

X-ON Electronics

Largest Supplier of Electrical and Electronic Components

Click to view similar products for [Fixed Terminal Blocks](#) category:

Click to view products by [TE Connectivity](#) manufacturer:

Other Similar products are found below :

[00175820202](#) [MBE-1512](#) [MBE-1520](#) [MBE-154](#) [MBE-156](#) [MBES-1510](#) [MBES-153](#) [MBES-156](#) [MH-2512](#) [MHE-132](#) [MHE-133](#) [MHE-163](#)
[MI-254 \(35\)](#) [MI-272](#) [8739](#) [880507](#) [880508](#) [MPT-275](#) [1546551-6](#) [BA311TU](#) [BA411SU](#) [MV-152](#) [MV-253/NCNOC](#) [MV-254-D](#) [MV-255](#)
[MV-462](#) [MV-472](#) [MV-493](#) [MVE-252](#) [MVE-253](#) [MVE-258](#) [MVE-273](#) [MVEB-153](#) [1700096](#) [1702246](#) [1705142](#) [1712417](#) [1713020](#) [1713088](#)
[1745195](#) [1760594](#) [1776118-2](#) [1790852](#) [1-796689-8](#) [1-796692-6](#) [1800001](#) [1800114](#) [1823215](#) [1838462](#) [1849079](#)