

THIS DRAWING IS UNPUBLISHED. RELEASED FOR PUBLICATION
 © COPYRIGHT BY TYCO ELECTRONICS CORPORATION. ALL RIGHTS RESERVED.

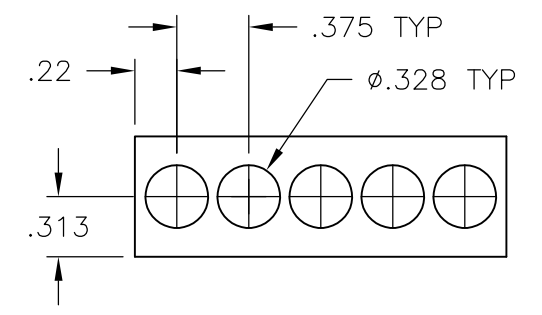
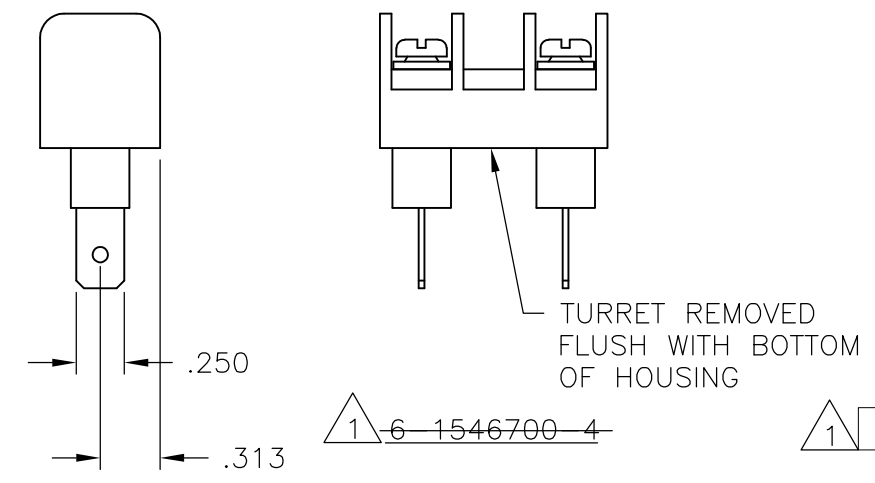
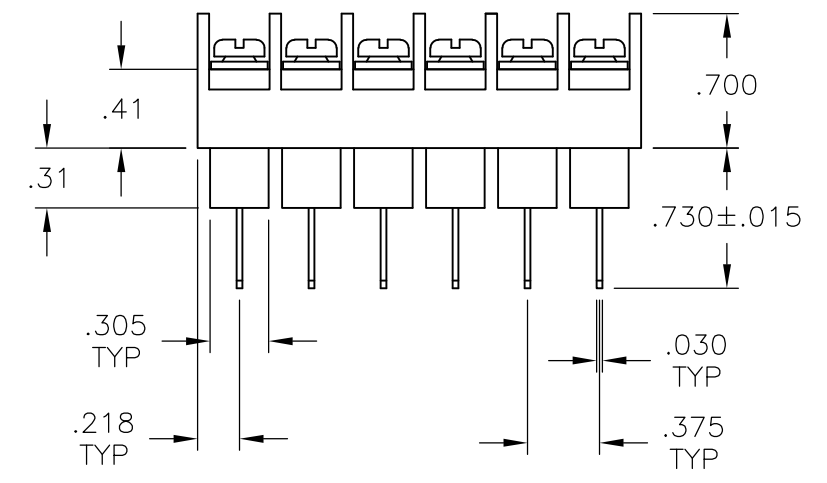
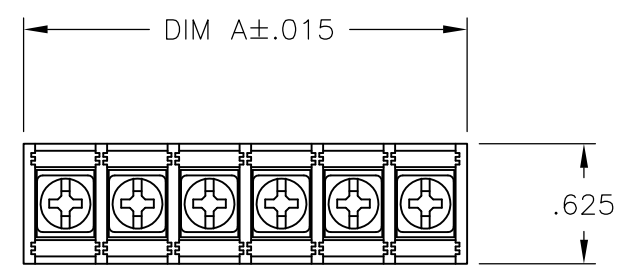
LOC	DIST	REVISIONS					
FT	0	P	LTR	DESCRIPTION	DATE	DWN	APVD
			C2	REVISED PER ECO-10-013614	13OCT10	HMR	CR

MATERIAL:
 HOUSING: THERMOPLASTIC, UL94V-0, BLACK.
 TERMINALS: COPPER ALLOY, TIN PLATED.
 SCREWS: 6-32 STEEL, ZINC PLATED AND CHROMATED.

ELECTRICAL:
 OPERATING CURRENT UL/CSA:
 CLASS C: 20A, 300V
 CLASS D: 5A, 600V
 WIRE RANGE: 12-22 AWG.

MECHANICAL:
 OPERATING TEMP.: +105°C MAX.
 RECOMMENDED TORQUE: 7 IN-LB.

1 OBSOLETE PARTS: OBSOLETE CIS STREAMLINING PER D.RENAUD/D.SINISI



MOUNTING PANEL LAYOUT

9.436	25	JC6-Q408-25	6-1546700-3
9.061	24	JC6-Q408-24	6-1546700-2
8.686	23	JC6-Q408-23	6-1546700-1
8.311	22	JC6-Q408-22	6-1546700-0
7.936	21	JC6-Q408-21	5-1546700-9
7.561	20	JC6-Q408-20	5-1546700-8
7.186	19	JC6-Q408-19	5-1546700-7
6.811	18	JC6-Q408-18	5-1546700-6
6.436	17	JC6-Q408-17	5-1546700-5
6.061	16	JC6-Q408-16	5-1546700-4
5.686	15	JC6-Q408-15	5-1546700-3
5.311	14	JC6-Q408-14	5-1546700-2
4.936	13	JC6-Q408-13	5-1546700-1
4.561	12	JC6-Q408-12	5-1546700-0
4.186	11	JC6-Q408-11	4-1546700-9
3.811	10	JC6-Q408-10	4-1546700-8
3.436	9	JC6-Q408-09	4-1546700-7
3.061	8	JC6-Q408-08	4-1546700-6
2.686	7	JC6-Q408-07	4-1546700-5
2.311	6	JC6-Q408-06	7-1437665-7
1.936	5	JC6-Q408-05	7-1437665-6
1.561	4	JC6-Q408-04	4-1546700-4
1.186	3	JC6-Q408-03-187	6-1546700-4
1.186	3	JC6-Q408-03	7-1437665-5
.811	2	JC6-Q408-02	7-1437665-4

1 OBSOLETE

THIS DRAWING IS A CONTROLLED DOCUMENT.		DWN	S SCHLEGEL	12/18/03	Tyco Electronics Corporation Harrisburg, PA 17105
DIMENSIONS: INCHES		CHK	S YODER	12/18/03	
TOLERANCES UNLESS OTHERWISE SPECIFIED:		APVD	S YODER	12/18/03	
0 PLC ± - 1 PLC ± - 2 PLC ± .02 3 PLC ± .010 4 PLC ± - ANGLES ± -		PRODUCT SPEC		NAME	
MATERIAL		APPLICATION SPEC		JC6-Q408-XX ASSEMBLY	
FINISH		WEIGHT	SIZE		CAGE CODE
-		-	A3		00779
		CUSTOMER DRAWING		DRAWING NO	
		SCALE		RESTRICTED TO	
		NTS		-	
		SHEET		REV	
		1 OF 1		C2	

X-ON Electronics

Largest Supplier of Electrical and Electronic Components

Click to view similar products for [Barrier Terminal Blocks](#) category:

Click to view products by [TE Connectivity](#) manufacturer:

Other Similar products are found below :

[CR151D20104](#) [670A-RZ-15-KT20](#) [6C1N03](#) [6PCR-02](#) [6PCR-02-008](#) [6PCR-05-008](#) [6PCR-08-008](#) [6PCR-09-008](#) [6PCR-13-006](#) [6PCR-15-006](#) [6PCR-21-006](#) [6PCV-06-008](#) [6PCV-06-716](#) [6PCV-09-001](#) [6PCV-10-009](#) [6PCV-15-008](#) [6PCV-17-1206](#) [6PCV-20-323](#) [6PCV-20-720](#) [6PCV-30-006](#) [6STR-06-006](#) [6STR-08-006](#) [6STR-12-008](#) [6STR-13-006](#) [6STR-14-008](#) [6STR-16-008](#) [6STR-17-008](#) [6STR-21-008](#) [6STR-25-008](#) [6STR-27-008](#) [6STV-03-006](#) [6STV-03-008](#) [6STV-04-006](#) [6STV-09-006](#) [6STV-10-006](#) [6WWR-03-693](#) [6WWV-12-008](#) [72212603](#) [72504-C-50](#) [72506-C](#) [72507-C-50](#) [73203](#) [75505-C](#) [75505-C-50](#) [75510-C](#) [77010-50](#) [7C1N08](#) [812-GP-3/4ST-09](#) [8-1437402-5](#) [8-1437402-7](#)