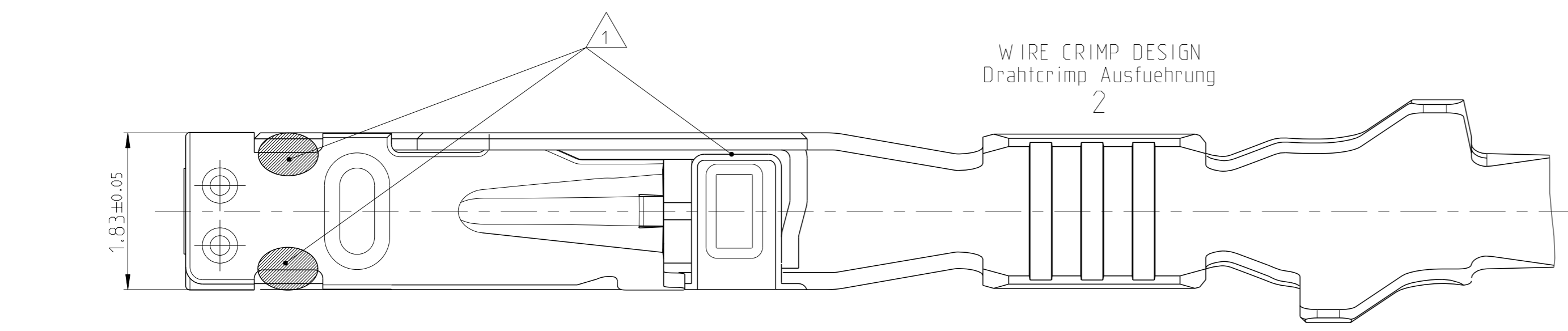
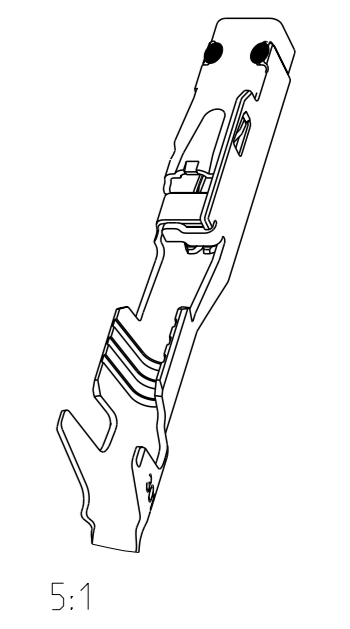
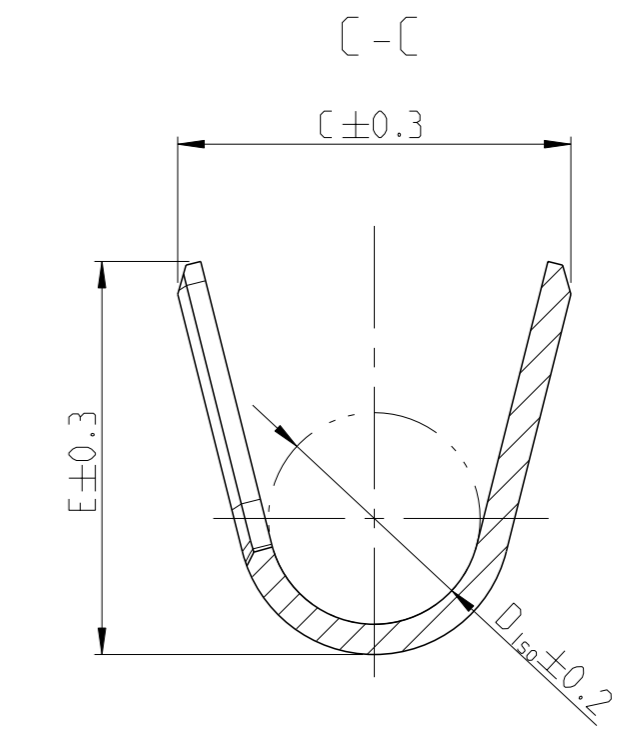
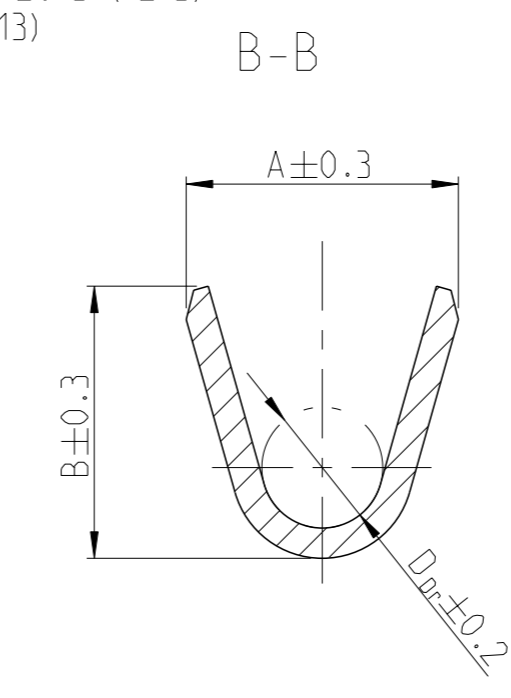
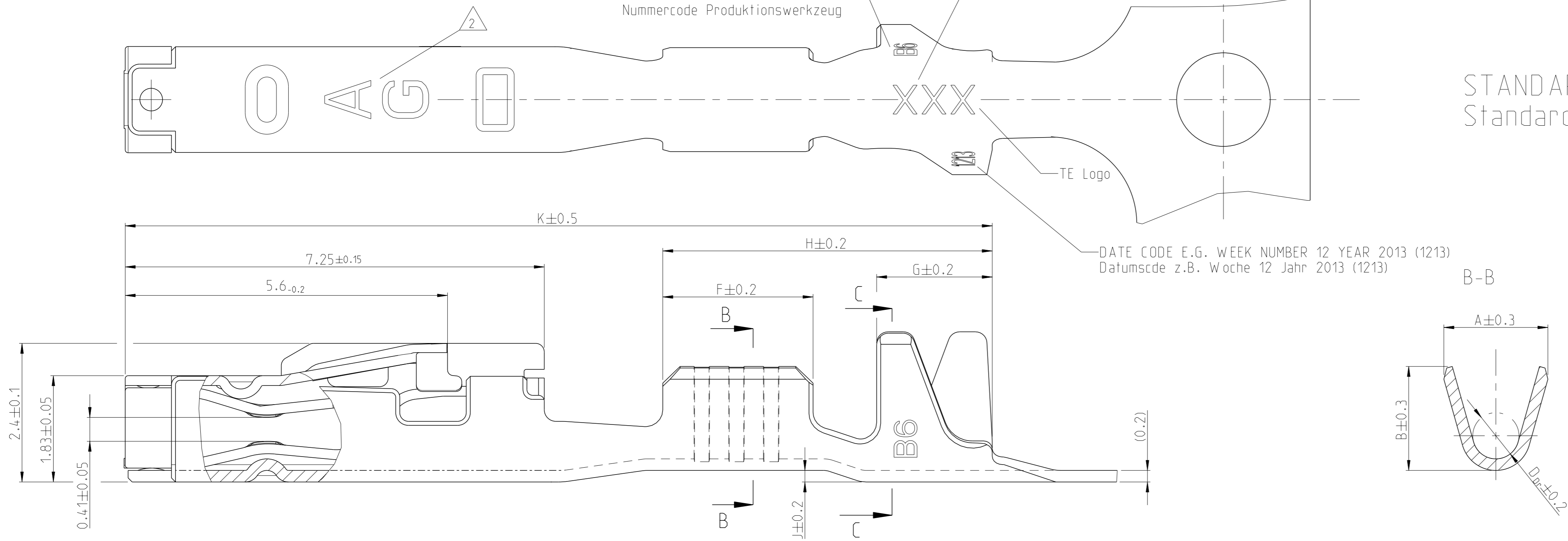


Project No. PRJ-11-000001417	Loc A1	DIST -	REVISIONS			
#	CT#	DESCRIPTION	DATE	OWN	APVD	
C4		PN 2141861 and 2141970 active ECR-14-001724	06FEB2014	Abr	Raab	
C5		ECR-14-008680 CANCELED	12JUN2014	Abr	Raab	
C6		Name Changed to MCON 1.2 LL ECR-14-012725	25AUG2014	Abr	Raab	
C7		See PCN E-17-018644	21DEC2017	FRAN	KURF	

REVISION Aenderungsstand /
NUMBER CODE PRODUCTION TOOL
Nummercode Produktionswerkzeug

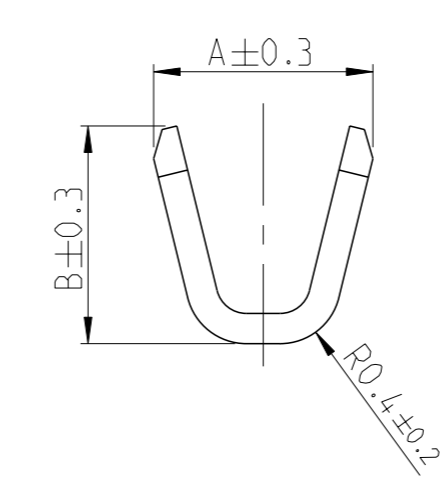
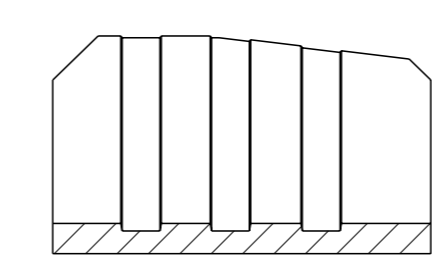
MANUFACTURING LOCATION CODE
Kennzahl Produktionsstandort

STANDARD APPLICATION
Standard Anwendung

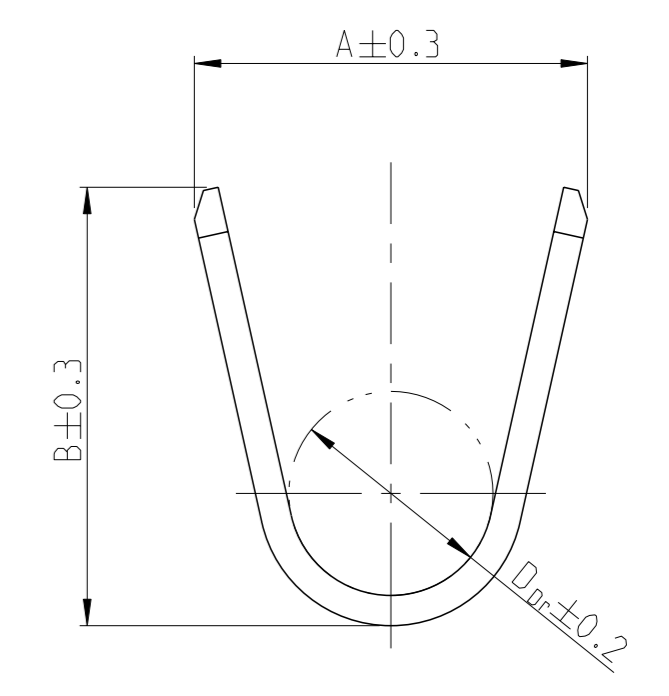
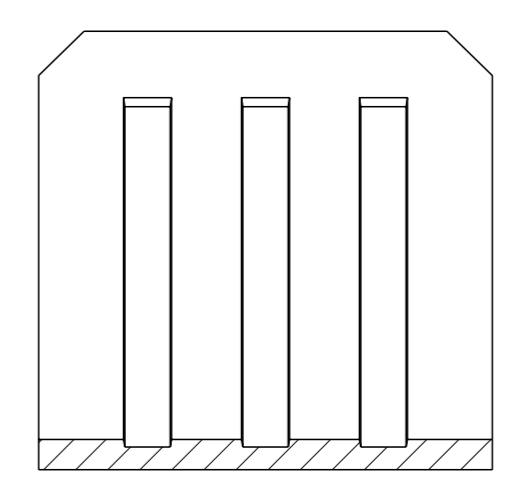


WIRE CRIMP DESIGN
Drahtcrimp Ausfuehrung
2

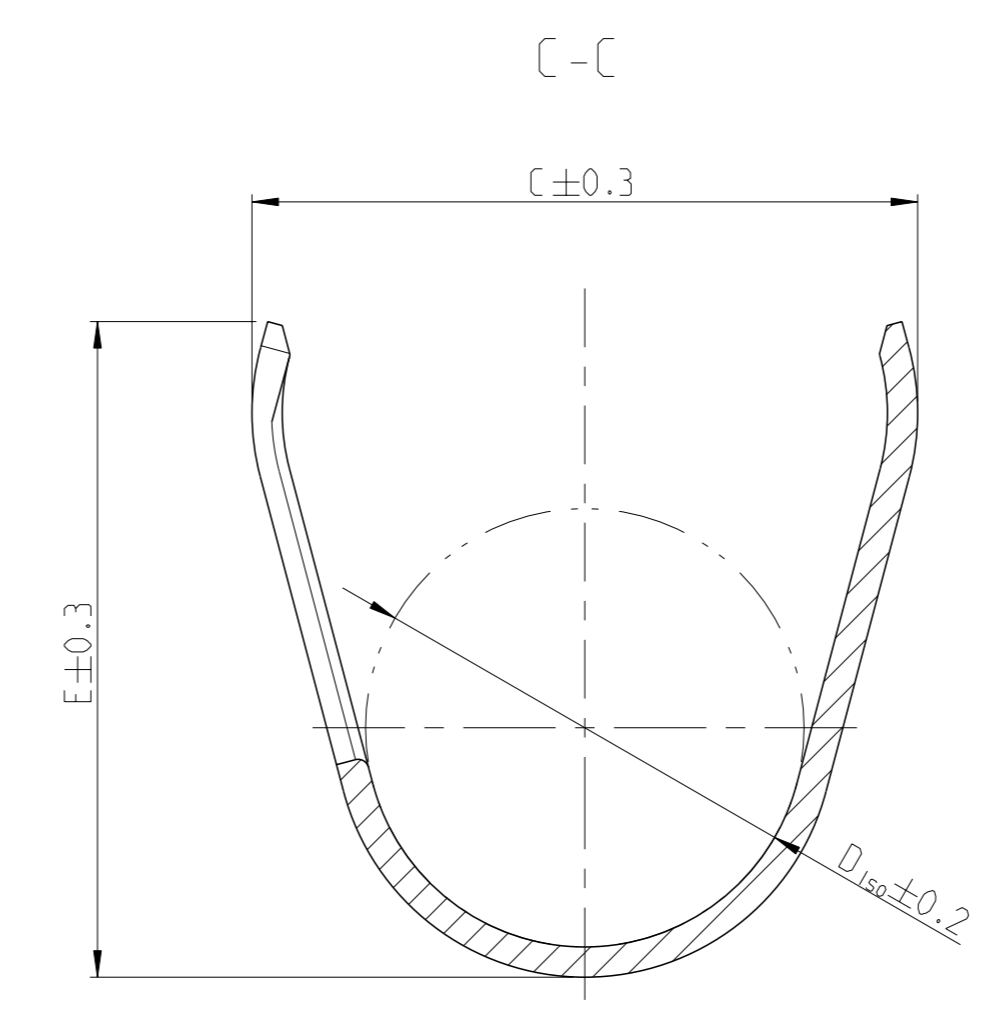
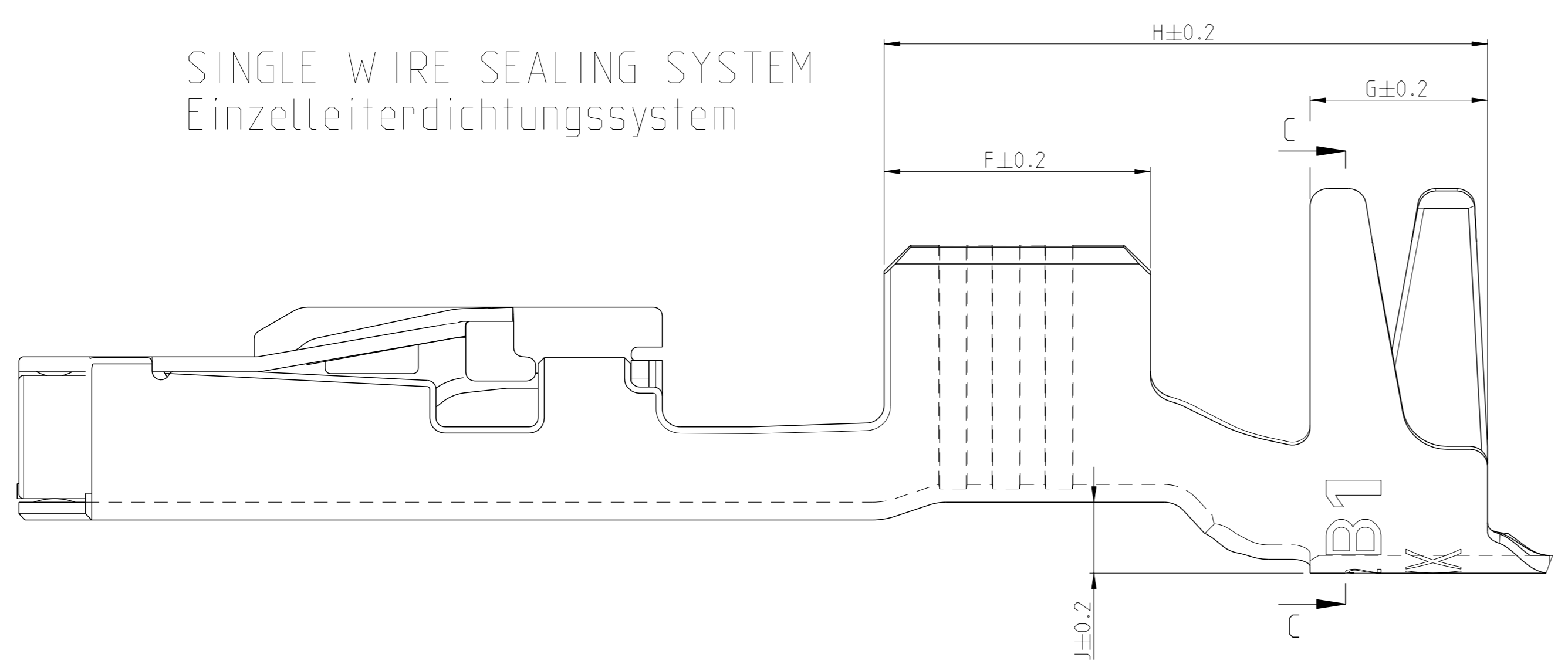
WIRE CRIMP DESIGN
Drahtcrimp Ausfuehrung
1



WIRE CRIMP DESIGN
Drahtcrimp Ausfuehrung
3



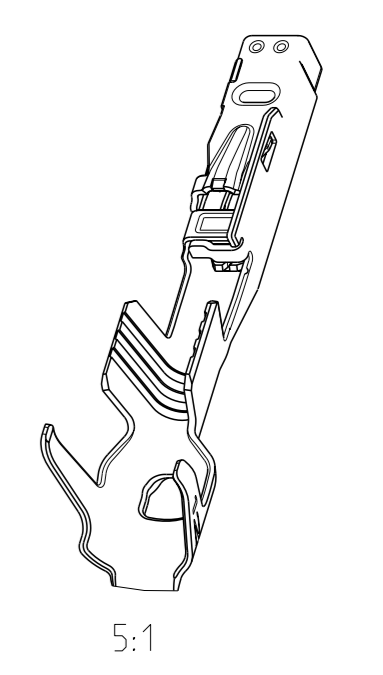
SINGLE WIRE SEALING SYSTEM
Einzelleiterdichtungssystem



NOTES
Bemerkungen

- 1 LASER WELDED
Lasergeschweisst
- 2 STAMPED INDICATOR FOR PLATING:
- AU GOLD PLATING
- AG SILVER PLATING
- TIN PLATING WITHOUT INDICATOR
Markierung fuer galvanische Ausfuehrung:
- AU vergoldet
- AG versilbert
- verzinkt: ohne Markierung

- 3 TO BE USED ON TAB
1.2±0.1 x 0.6±0.03 MM
geeignet fuer Flachstecker
1.2±0.1 x 0.6±0.03 mm



THIS DRAWING IS A CONTROLLED DOCUMENT.		OWN E. Horn	11NOV2011	STE TE Connectivity
DIMENSIONS: mm		CHK R. Meier	11NOV2011	
TOLERANCES UNLESS OTHERWISE SPECIFIED: ±0.2		APVD V. Seigel	11NOV2011	NAME MCON 1.2 LL (LOCKING-LANCE)
MATERIAL		PRODUCT SPEC 108-18782		SIZE 114-18464
FINISH		APPLICATION SPEC		RESTRICTED TO
ANGLES		WEIGHT 0.18 g		Customer Drawing
SCALE 20:1		SHEET 1 of 2		REV 7

LOC	DIST	REVISIONS			
A1	-	REV	DATE	OWN	APVD
		1	SEE SHEET 1	-	-

VERSION / Ausführung	REV.	RANGE Bereich	INSULATION-Ø Isolations-Ø (mm)	AWG	mm ²	BODY Kontakt-körper	SPRING Kontakt-feder	BODY Kontakt-körper	SPRING Kontakt-feder	DESIGN WIRE-CRIMP Ausführung Draht-Crimp	SINGLE WIRE SEAL FOR CAVITY DIAMETER											BLINDPLUG ORDER NO. Blindstopfen Bestell-Nr.	APPLICATION TOOLS Verarbeitungswerkzeuge	
											A	B	D _{Dr}	C	E	D _{ISO}	F	G	H	J	K			
STANDARD APPLICATION Standardanwendung	2141970-3	A	0.13-	0.95-	-	0.13	CuSn4	CuNiSi	8	7	1	1.5	1.4	-	4.0	3.9	2.6	2.5	1.9	6.2	0.6	16	SEE APPLICATION SPEC. 114-18464 siehe Verarbeitungsspez. 114-18464	
	2141970-2	A	0.22	0.95-	-	0.17				6														
	2141970-1	A	9	1.2	-	0.22				5														
	7-1452665-3	A	0.25-	1.1-	24	-				7														
	7-1452665-2	A	0.35	1.75	-	0.35				6														
	7-1452665-1	A	0.35	1.75	22	-				5														
	7-1452668-3	A	0.5-	1.4-	20	0.5				7														
	7-1452668-2	A	0.75	1.9	-	0.75				6														
	7-1452668-1	A	0.75	1.9	-	0.75				5														
	7-1452671-3	A	1-	1.9-	18	-				7														
	7-1452671-2	A	1.5	2.4	-	1				6														
	7-1452671-1	A	1.5	2.4	-	1.5				5														
STANDARD APPLICATION Standardanwendung	2141861-3	A	0.13-	0.95-	-	0.13	CuSn4	CuNiSi	8	7	1	1.5	1.4	-	2.0	1.9	1.1	2.5	1.7	5.4	0	15		
	2141861-2	A	0.22	0.95-	-	0.17				6														
	2141861-1	A	9	1.2	-	0.22				5														
	7-1452653-3	A	0.25-	1.1-	24	-				7														
	7-1452653-2	A	0.35	1.75	-	0.35				6														
	7-1452653-1	A	0.35	1.75	22	-				5														
	7-1452656-3	A	0.5-	1.4-	20	0.5				7														
	7-1452656-2	A	0.75	1.9	-	0.75				6														
	7-1452656-1	A	0.75	1.9	-	0.75				5														
	7-1452659-3	A	1-	1.9-	18	-				7														
	7-1452659-2	A	1.5	2.4	-	1				6														
	7-1452659-1	A	1.5	2.4	-	1.5				5														

7- VARIANTS FOR NEW APPLICATIONS

- NOTES
Bemerkungen
- 4 ONLY FOR FLR-WIRE SEE DIN 72551, PART 6 AND AWG WIRE ACCORDING DC-SPEC: MS-8288 ; MS-7889 ; MS-9532
Nur fuer FLR-Leitung nach DIN 72551, Teil 6 und AWG Leitung nach DC-SPEC: MS-8288 ; MS-7889 ; MS-9532
 - 5 PRE TIN SnAg 1.0 TO 3.0µm
Vorverzinnt SnAg 1.0 bis 3.0µm
 - 6 SPRING GOLD PLATED MIN. 0.8µm (only contact area)
Kontaktfeder galv. vergoldet min.0.8µm (nur Kontaktzone)
 - 7 SPRING SILVER PLATED 2.0 TO 5.0µm (only contact area)
Kontaktfeder galv. versilbert 2.0 bis 5.0µm (nur Kontaktzone)
 - 8 BODY PRE TIN Sn 1.0 TO 3.0µm
Kontaktkoerper vorverzinnt Sn 1.0 bis 3.0µm
 - 9 REINFORCED WIRE ACCORDING TO LV 112-4
Zugverstaerkte Leitung nach LV 112-4

VERSION / Ausführung	REV.	RANGE Bereich	INSULATION-Ø Isolations-Ø (mm)	AWG	mm ²	BODY Kontakt-körper	SPRING Kontakt-feder	BODY Kontakt-körper	SPRING Kontakt-feder	DESIGN WIRE-CRIMP Ausführung Draht-Crimp	SINGLE WIRE SEAL FOR CAVITY DIAMETER											BLINDPLUG ORDER NO. Blindstopfen Bestell-Nr.	APPLICATION TOOLS Verarbeitungswerkzeuge		
											A	B	D _{Dr}	C	E	D _{ISO}	F	G	H	J	K				
STANDARD APPLICATION Standardanwendung	0-1452665-3	B	0.25-	1.1-	24	-	0.25	CuSn0.15/0.2	CuNiSi	5	7	2	1.8	1.8	0.8	4.2	4.3	2.6	2.6	2.0	6.4	0.8	16	SEE APPLICATION SPEC. 114-18464 siehe Verarbeitungsspez. 114-18464	
	0-1452665-2	B	0.35	1.75	-	0.35	6																		
	0-1452665-1	B	0.35	1.75	22	-	5																		
	0-1452668-3	C	0.5-	1.4-	20	0.5	7																		
	0-1452668-2	C	0.75	1.9	-	0.75	6																		
	0-1452668-1	C	0.75	1.9	-	0.75	5																		
	0-1452671-3	B	1-	1.9-	18	-	7																		
	0-1452671-2	B	1.5	2.4	-	1	6																		
	0-1452671-1	B	1.5	2.4	-	1.5	5																		
	0-1452653-3	B	0.25-	1.1-	24	-	7																		
	0-1452653-2	B	0.35	1.75	-	0.35	6																		
	0-1452653-1	B	0.35	1.75	22	-	5																		
0-1452656-3	C	0.5-	1.4-	20	0.5	7																			
0-1452656-2	C	0.75	1.9	-	0.75	6																			
0-1452656-1	C	0.75	1.9	-	0.75	5																			
0-1452659-3	B	1-	1.9-	18	-	7																			
0-1452659-2	B	1.5	2.4	-	1	6																			
0-1452659-1	B	1.5	2.4	-	1.5	5																			

0- VARIANTS SUPERSEDED BY 7- VARIANTS (SEE TABLE ON TOP)

THIS DRAWING IS A CONTROLLED DOCUMENT.

OWN: E. Horn	11NOV2011		NAME: MCON 1.2 LL (LOCKING-LANCE)
CHK: R. Meier	11NOV2011		SIZE: A1
APVD: V. Seigel	11NOV2011		CAGE CODE: 00779
PRODUCT SPEC: 108-18782	APPLICATION SPEC: 114-18464		DRAWING NO: 1452674
MATERIAL: -	WEIGHT: -	SCALE: -	SHEET 2 OF 2
Customer Drawing		REV: C7	

X-ON Electronics

Largest Supplier of Electrical and Electronic Components

Click to view similar products for [Automotive Connectors](#) category:

Click to view products by [TE Connectivity](#) manufacturer:

Other Similar products are found below :

[003-018-000](#) [60403001](#) [60993906-B](#) [M902-2131](#) [M902-2161](#) [72.330.1035.1](#) [73.353.4028.0](#) [F119300-B](#) [F166900](#) [F258300-B](#) [F358300-B](#)
[F407400](#) [F444110](#) [F487000](#) [F509500B-B](#) [827153-1](#) [8N1515-32-24P](#) [9-1326729-8](#) [925474-1](#) [928905-1](#) [964562-4](#) [968782-1](#) [GT17SA-8DS-](#)
[HU](#) [98891-1012](#) [98947-1016](#) [12004147](#) [12004475-L](#) [12010290](#) [12010309-B](#) [12015454](#) [12020219-B](#) [12020308](#) [12041318-B](#) [12052225-L](#)
[12052466](#) [12059125](#) [12064869](#) [12004327-B](#) [12010503-B](#) [12015308](#) [12015384](#) [12015909](#) [1-21030-1](#) [12041254](#) [12041318](#) [12047946-B](#)
[12047957](#) [12047957-L](#) [12059473](#) [12066261](#)