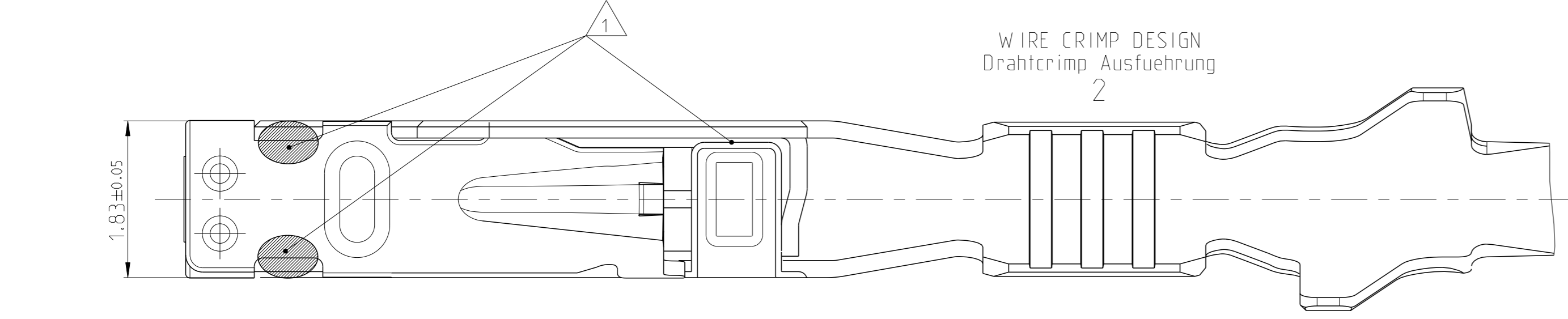
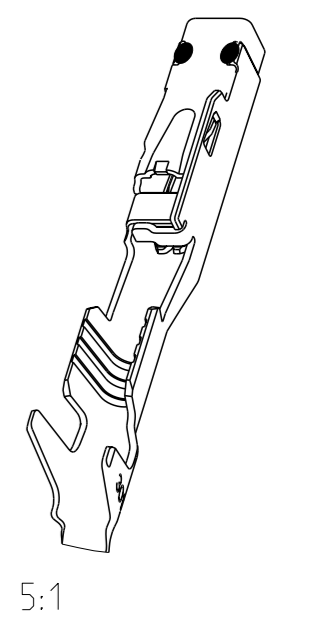
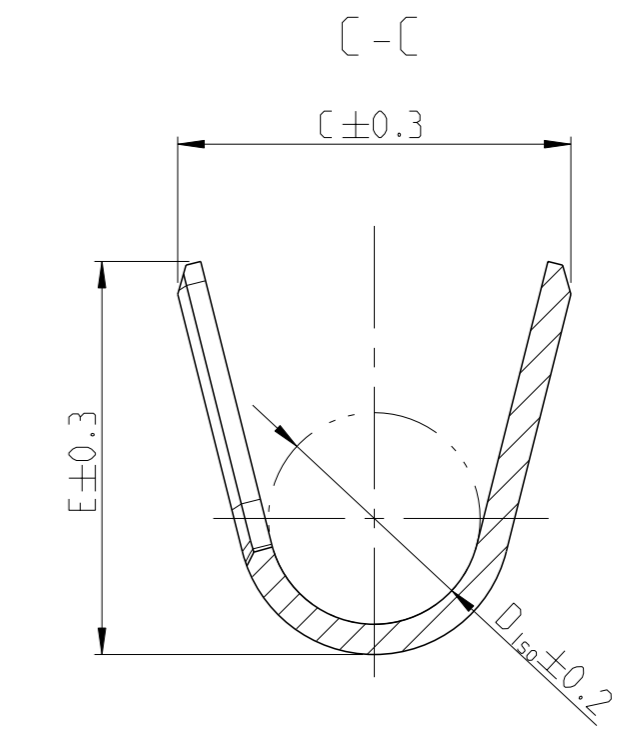
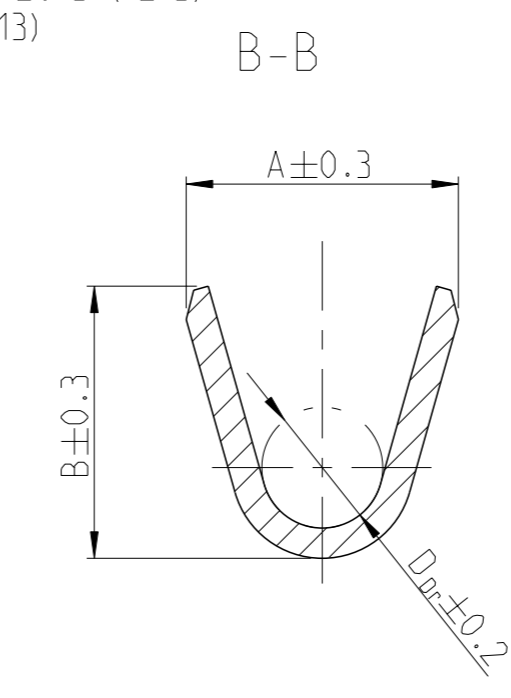
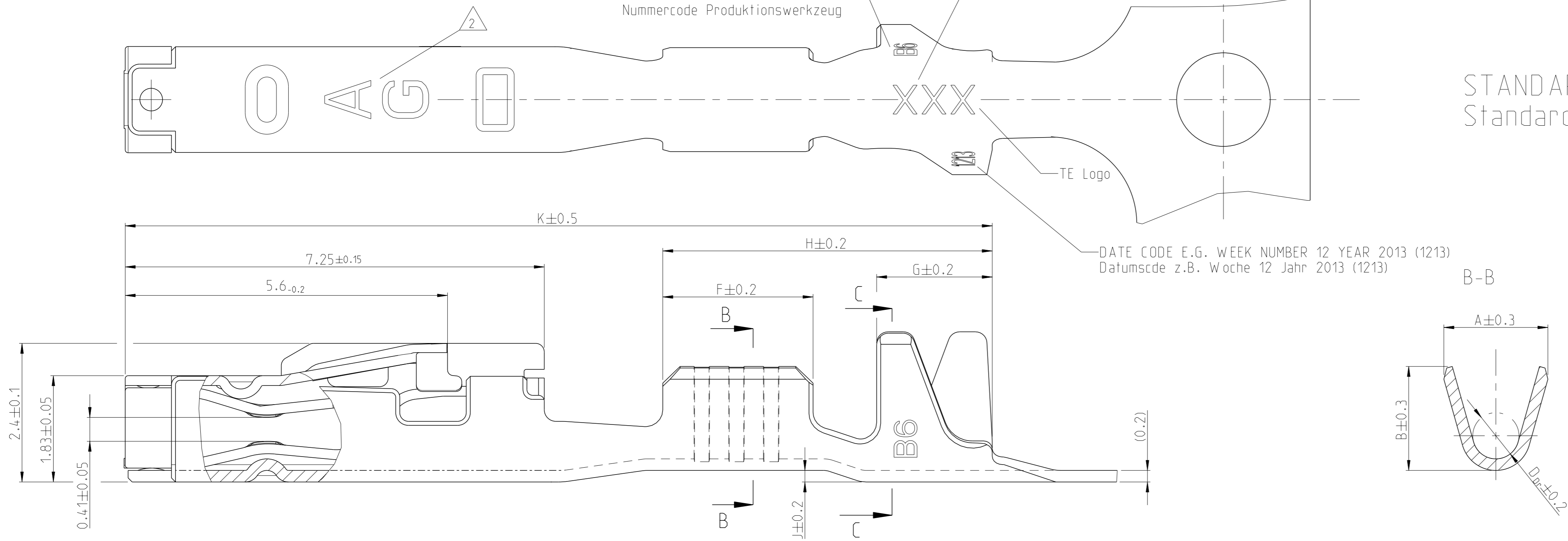


REVISION Aenderungsstand /  
 NUMBER CODE PRODUCTION TOOL  
 Nummernote Produktionswerkzeug

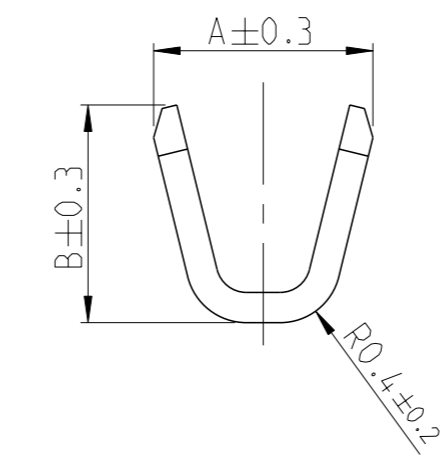
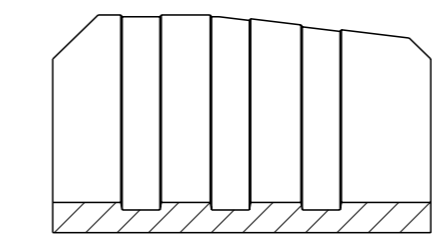
MANUFACTURING LOCATION CODE  
 Kennzahl Produktionsstandort

STANDARD APPLICATION  
 Standard Anwendung

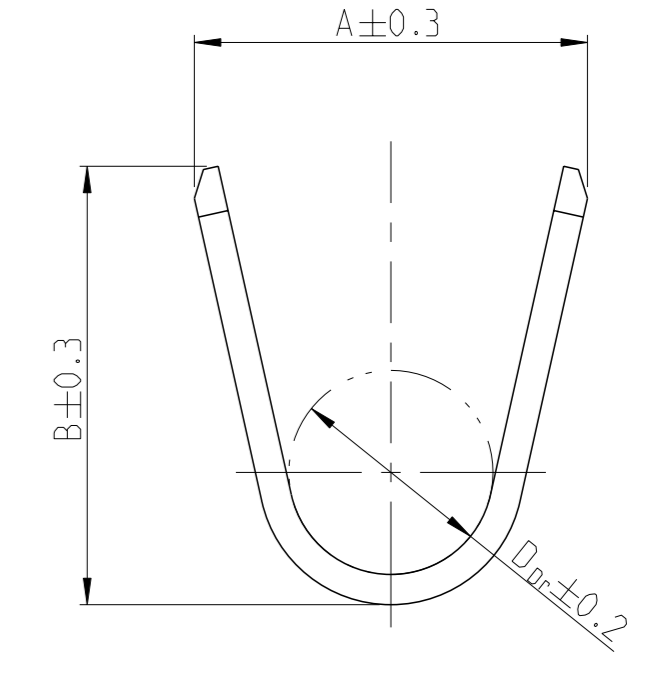
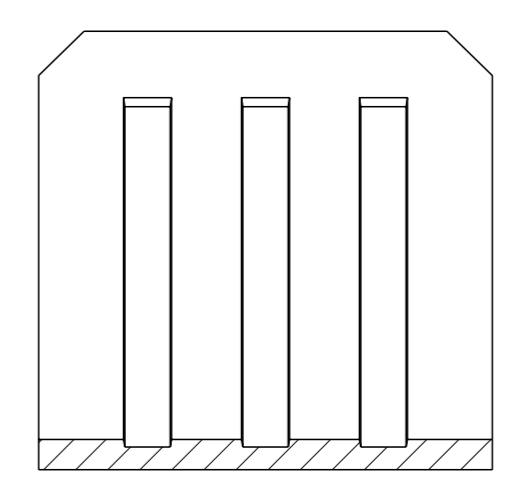


WIRE CRIMP DESIGN  
 Drahtcrimp Ausfuehrung  
 2

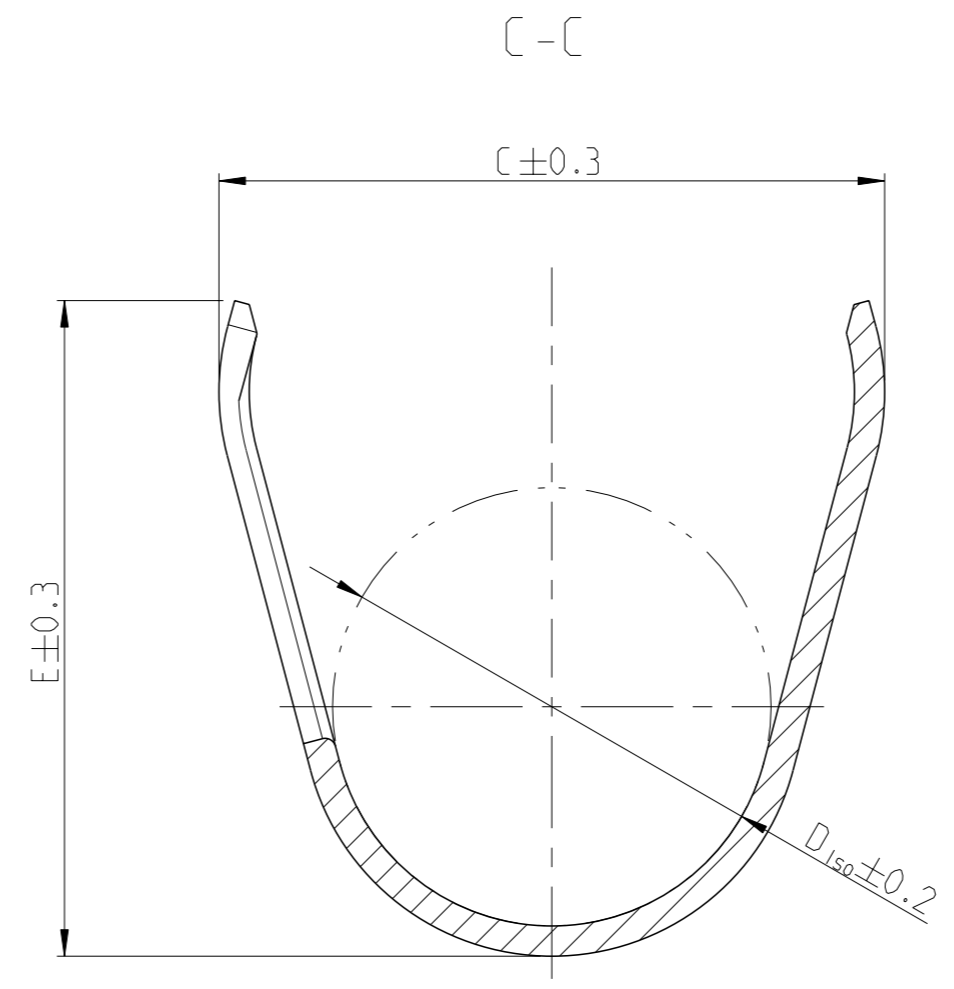
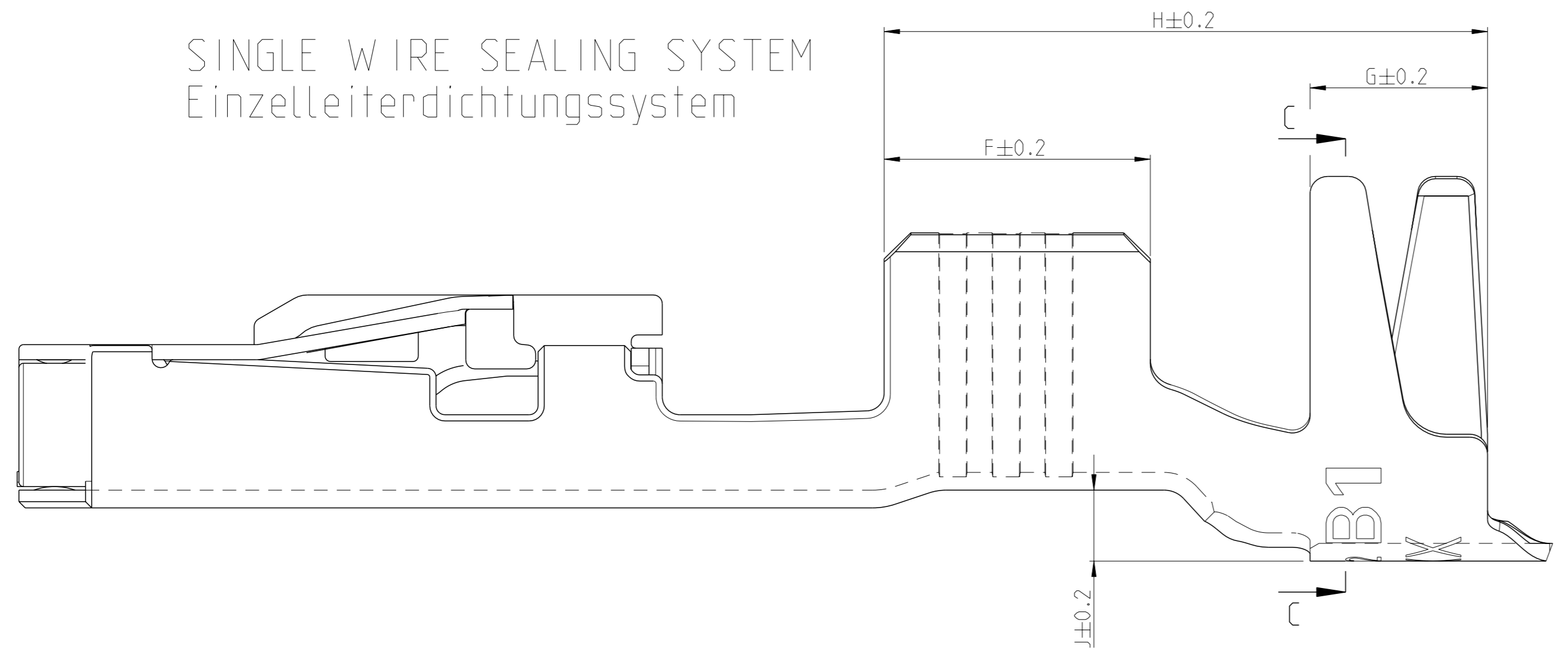
WIRE CRIMP DESIGN  
 Drahtcrimp Ausfuehrung  
 1



WIRE CRIMP DESIGN  
 Drahtcrimp Ausfuehrung  
 3



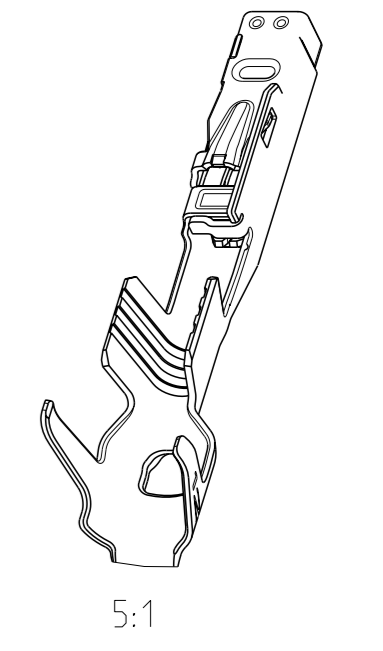
SINGLE WIRE SEALING SYSTEM  
 Einzelleiterdichtungssystem



NOTES  
 Bemerkungen

- 1 LASER WELDED  
 Lasergeschweisst
- 2 STAMPED INDICATOR FOR PLATING:  
 - AU GOLD PLATING  
 - AG SILVER PLATING  
 - TIN PLATING WITHOUT INDICATOR  
 Markierung fuer galvanische Ausfuehrung:  
 - AU vergoldet  
 - AG versilbert  
 - verzinkt: ohne Markierung

3 TO BE USED ON TAB  
 1.2±0.1 x 0.6±0.03 MM  
 geeignet fuer Flachstecker  
 1.2±0.1 x 0.6±0.03 mm



THIS DRAWING IS A CONTROLLED DOCUMENT.		OWN E. Horn CHK R. Meier APVD V. Seigel	11NOV2011 11NOV2011 11NOV2011	TE Connectivity NAME MCON 1.2 LL (LOCKING-LANCE)
DIMENSIONS: mm	TOLERANCES UNLESS OTHERWISE SPECIFIED: ±0.2	PRODUCT SPEC 108-18782 APPLICATION SPEC 114-18464	SIZE A1	
MATERIAL	FINISH	WEIGHT 0.18 g	Customer Drawing	RESTRICTED TO
SCALE 20:1			SHEET 1 OF 2	REV 7

LOC	DIST	REVISIONS					
		P	LYR	DESCRIPTION	DATE	OWN	APVD
A1	-	-	-	SEE SHEET 1	-	-	-

VERSION / Ausführung	REV.	RANGE Bereich	INSULATION-Ø Isolations-durchm.	AWG	mm <sup>2</sup>	BODY Kontakt-körper	SPRING Kontakt-feder	BODY Kontakt-körper	SPRING Kontakt-feder	DESIGN WIRE-CRIMP Ausführung Draht-Crimp	C7											SINGLE WIRE SEAL FOR CAVITY DIAMETER	BLINDPLUG ORDER NO. Blindstopfen Bestell-Nr.	APPLICATION TOOLS Verarbeitungswerkzeuge	
											A	B	D <sub>Dr</sub>	C	E	D <sub>ISO</sub>	F	G	H	J	K				
SINGLE WIRE SEAL / Einzeldichtung	2141970-3	A	0.13-	0.95-	-	0.13	CuSn4	CuNiSi	8	7	1	1.5	1.4	-	4.0	3.9	2.6	2.5	1.9	6.2	0.6	16	SEE APPLICATION SPEC. 114-18464 siehe Verarbeitungsspez. 114-18464		
	2141970-2	A	0.22	0.95-	-	0.17				6															
	2141970-1	A	9	1.2	-	0.22				5															
	7-1452665-3	A	0.25-	1.1-	24	-				7	2	1.8	1.8	0.8	4.2	4.3	2.6	2.6	2.0	6.4	0.8	16			
	7-1452665-2	A	-	0.35	-	-				6															
	7-1452665-1	A	0.35	1.75	22	-				5															
	7-1452668-3	A	0.5-	1.4-	20	0.5				7	2	2.0	2.1	1.1	4.2	4.3	2.7	2.6	2.0	6.4	0.8	16			
	7-1452668-2	A	0.75	1.9	-	0.75				6															
	7-1452668-1	A	-	0.75	-	-				5															
	7-1452671-3	A	1-	1.9-	18	-				7	2	2.6	2.9	1.35	4.4	4.3	2.9	3.0	2.0	6.8	0.8	16.55			
	7-1452671-2	A	-	1	-	-				6															
	7-1452671-1	A	1.5	2.4	16	-				5															
STANDARD APPLICATION Standardanwendung	2141861-3	A	0.13-	0.95-	-	0.13	CuSn4	CuNiSi	8	7	1	1.5	1.4	-	2.0	1.9	1.1	2.5	1.7	5.4	0	15			
	2141861-2	A	0.22	0.95-	-	0.17				6															
	2141861-1	A	9	1.2	-	0.22				5															
	7-1452653-3	A	0.25-	1.1-	24	-				7	2	1.8	1.8	0.8	2.6	2.6	1.4	2.6	2.0	5.7	0.2	15			
	7-1452653-2	A	-	0.35	-	-				6															
	7-1452653-1	A	0.35	1.75	22	-				5															
	7-1452656-3	A	0.5-	1.4-	20	0.5				7	2	2.0	2.1	1.1	2.7	2.9	1.6	3.0	2.0	6.1	0.2	16			
	7-1452656-2	A	0.75	1.9	-	0.75				6															
	7-1452656-1	A	-	0.75	-	-				5															
	7-1452659-3	A	1-	1.9-	18	-				7	2	2.6	2.9	1.35	3.7	3.9	2.1	3.0	2.0	6.1	0.2	16			
	7-1452659-2	A	-	1	-	-				6															
	7-1452659-1	A	1.5	2.4	16	-				5															

**7- VARIANTS FOR NEW APPLICATIONS**

- NOTES  
Bemerkungen
- 4 ONLY FOR FLR-WIRE SEE DIN 72551, PART 6 AND AWG WIRE ACCORDING DC-SPEC: MS-8288 ; MS-7889 ; MS-9532  
Nur fuer FLR-Leitung nach DIN 72551, Teil 6 und AWG Leitung nach DC-SPEC: MS-8288 ; MS-7889 ; MS-9532
  - 5 PRE TIN SnAg 1.0 TO 3.0µm  
Vorverzinkt SnAg 1.0 bis 3.0µm
  - 6 SPRING GOLD PLATED MIN. 0.8µm (only contact area)  
Kontaktfeder galv. vergoldeft min.0.8µm (nur Kontaktzone)
  - 7 SPRING SILVER PLATED 2.0 TO 5.0µm (only contact area)  
Kontaktfeder galv. versilbert 2.0 bis 5.0µm (nur Kontaktzone)
  - 8 BODY PRE TIN Sn 1.0 TO 3.0µm  
Kontaktkoerper vorverzinkt Sn 1.0 bis 3.0µm
  - 9 REINFORCED WIRE ACCORDING TO LV 112-4  
Zugverstaerkte Leitung nach LV 112-4

VERSION / Ausführung	REV.	RANGE Bereich	INSULATION-Ø Isolations-durchm.	AWG	mm <sup>2</sup>	BODY Kontakt-körper	SPRING Kontakt-feder	BODY Kontakt-körper	SPRING Kontakt-feder	DESIGN WIRE-CRIMP Ausführung Draht-Crimp	C7											SINGLE WIRE SEAL FOR CAVITY DIAMETER	BLINDPLUG ORDER NO. Blindstopfen Bestell-Nr.	APPLICATION TOOLS Verarbeitungswerkzeuge								
											A	B	D <sub>Dr</sub>	C	E	D <sub>ISO</sub>	F	G	H	J	K											
SINGLE WIRE SEAL / Einzeldichtung	0-1452665-3	B	0.25-	1.1-	24	-	CuSn0.15/0.2	CuNiSi	5	7	2	1.8	1.8	0.8	4.2	4.3	2.6	2.6	2.0	6.4	0.8	16	SEE APPLICATION SPEC. 114-18464 siehe Verarbeitungsspez. 114-18464									
	0-1452665-2	B	0.35	1.75	22	-				6																						
	0-1452665-1	B	-	0.35	-	-				5																						
	0-1452668-3	C	0.5-	1.4-	20	0.5				7	2	2.0	2.1	1.1	4.2	4.3	2.7	2.6	2.0	6.4	0.8	16										
	0-1452668-2	C	0.75	1.9	-	0.75				6																						
	0-1452668-1	C	-	0.75	-	-				5																						
	0-1452671-3	B	1-	1.9-	18	-				7	3	2.6	2.9	1.35	4.4	4.3	2.9	3.0	2.0	6.8	0.8	16.55										
	0-1452671-2	B	-	1	-	-				6																						
	0-1452671-1	B	1.5	2.4	16	-				5																						
	STANDARD APPLICATION Standardanwendung	0-1452653-3	B	0.25-	1.1-	24				-	CuSn0.15/0.2	CuNiSi	5	7	2	1.8	1.8	0.8	2.6	2.6	1.4	2.6				2.0	5.7	0.2	15			
		0-1452653-2	B	0.35	1.75	22				-				6																		
		0-1452653-1	B	-	0.35	-				-				5																		
0-1452656-3		C	0.5-	1.4-	20	0.5	7	2	2.0	2.1				1.1	2.7	2.9	1.6	3.0	2.0	6.1	0.2	16										
0-1452656-2		C	0.75	1.9	-	0.75	6																									
0-1452656-1		C	-	0.75	-	-	5																									
0-1452659-3		B	1-	1.9-	18	-	7	3	2.6	2.9				1.35	3.7	3.9	2.1	3.0	2.0	6.1	0.2	16										
0-1452659-2		B	-	1	-	-	6																									
0-1452659-1		B	1.5	2.4	16	-	5																									

**0- VARIANTS SUPERSEDED BY 7- VARIANTS (SEE TABLE ON TOP)**

THIS DRAWING IS A CONTROLLED DOCUMENT. **STE** TE Connectivity

OWNER: E. Horn 11NOV2011  
 CHK: R. Meier 11NOV2011  
 APVD: V. Seigel 11NOV2011

NAME: MCON 1.2 LL (LOCKING-LANCE)

PRODUCT SPEC: 108-18782  
 APPLICATION SPEC: 114-18464

SIZE: A1 CAGE CODE: 00779 DRAWING NO: 1452674 RESTRICTED TO: -  
 WEIGHT: - SCALE: - SHEET: 2 OF 2 REV: C7

Customer Drawing

## X-ON Electronics

Largest Supplier of Electrical and Electronic Components

*Click to view similar products for [Automotive Connectors](#) category:*

*Click to view products by [TE Connectivity](#) manufacturer:*

Other Similar products are found below :

[003-018-000](#) [60403001](#) [60993906-B](#) [M902-2131](#) [M902-2161](#) [72.330.1035.1](#) [73.353.4028.0](#) [F119300-B](#) [F166900](#) [F258300-B](#) [F358300-B](#)  
[F407400](#) [F444110](#) [F487000](#) [F509500B-B](#) [827153-1](#) [8N1515-32-24P](#) [9-1326729-8](#) [925474-1](#) [928905-1](#) [964562-4](#) [968782-1](#) [GT17SA-8DS-](#)  
[HU](#) [98891-1012](#) [98947-1016](#) [12004147](#) [12004475-L](#) [12010290](#) [12010309-B](#) [12015454](#) [12020219-B](#) [12020308](#) [12041318-B](#) [12052225-L](#)  
[12052466](#) [12059125](#) [12064869](#) [12004327-B](#) [12010503-B](#) [12015308](#) [12015384](#) [12015909](#) [1-21030-1](#) [12041254](#) [12041318](#) [12047946-B](#)  
[12047957](#) [12047957-L](#) [12059473](#) [12066261](#)