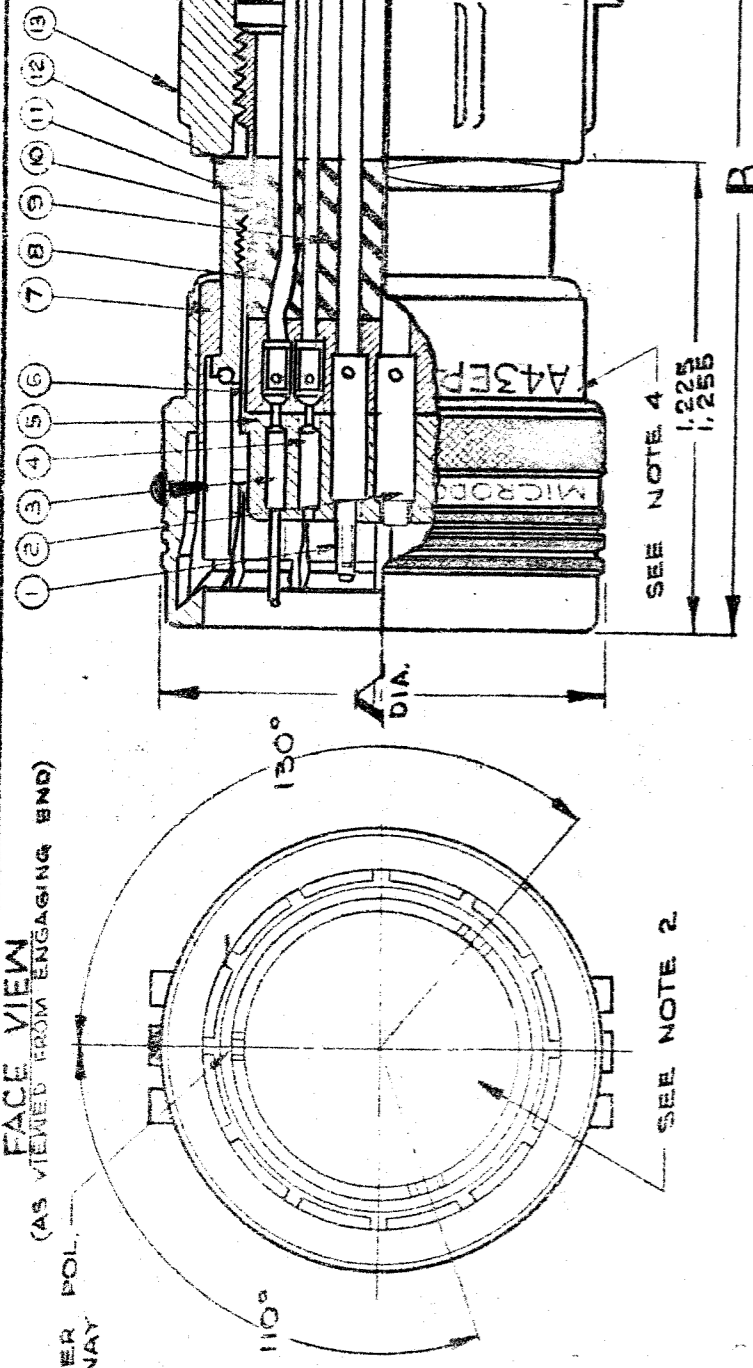


081-1311-0046

MASTER KEYWAY
POL. (AS VIEWED FROM ENGAGING END)



CODE	ITEM	DESCRIPTION	CATALOG NO.	A	B	C
A43	1	CONTACT, PIN COAXIAL	A43*P -** (046)	.760	2.062	.812
A43		HOUSING	B43*P -** (046)	.947	2.145	1.062
A43		SOCKET (INNER CONTACT)	C43*P -** (046)	1.135	2.195	1.170
A43		BUSHINGS				
A43		JERK RINGS				
A43		CONTACT, SOCKET COAXIAL				
A43		HOUSING & JERK RINGS				
A43		PIN (INNER CONTACT)				
A43		BUSHINGS				
A43		CONTACT, PIN POWER				
A43		CONTACT, SOCKET POWER (#12 & #16 GAGE)				
A43		CONTACT, SOCKET POWER (#22 GAGE)				
A43		INSERT, FRONT				
A43		INSERT, REAR				
A43		PLUG, SUB ASSEMBLY				
A43		RING, COUPLING & PLUG SHELL				
A43		SPRING, LOCKING				
A43		KEY				
A43		"O" RING				
A43		FOLLOWER, SUB ASSEMBLY				
A43		FOLLOWER				
A43		SPRING				
A43		SPRINET (SEALED ONLY)				
A43		"O" RING, FOLLOWER (SEALED ONLY)				
A43		"O" RING, RET. NUT (SEALED ONLY)				
A43		ADAPTER				
A43		STRAIGHT CABLE CLAMP (AN 3057)				

CODE	STANDARD MATERIAL & FINISH
△	ALUMINUM ALLOY QQ-A-225/5, TEMPER T4
△	F.M. BRASS QQ-B-626, COMP. 360 1/2 HARD
△	COIN SILVER HARD TEMPER MIL-S-11282
△	LEADED COPPER
△	BERYLLIUM COPPER (BERYLCO 10) H.T.
△	BERYLLIUM COPPER QQ-C-530, 1/2 HARD
△	BERYLLIUM COPPER QQ-C-533, 1/2 HARD
△	DIALYL FTHALATE MIL-M-14, SDG
△	TELON AMS-3651 & MIL-P-19468
△	SILICONE RUBBER MIL-R-5847, CLASS II
△	GOLD PLATE MIL-G-45204, TYPE II, CLASS I
△	GOLD PLATE MIL-G-45204, TYPE II, CLASS II
△	SILVER PLATE .0002-.0004, QQ-S-365, TYPE I, CR. I
△	ELECTROLESS NICKEL .0002-.0004 MIL-G-26074, CU. 2
△	ALUMINUM ALLOY QQ-A-225/6, TEMPER T4
△	CLEAR ANODIZE MIL-A-8625, TYPE II
△	STAINLESS STEEL MIL-S-7720, TYPE 303
△	PASSIVATE & BLACK OXIDE MIL-C-13924, CLASS III

INSULATION RESISTANCE: 5K MEGOHMS MINIMUM PER MIL-STD-202, METHOD 302, CONDITION B.
PHYSICAL SHOCK: 50 G'S MINIMUM PER MIL-C-26500B
10 MICROSECONDS MAXIMUM OPEN TIME.
VIBRATION: 15 G'S 10-2000 CPS PER MIL-C-26500B
10 MICROSECONDS MAXIMUM OPEN TIME.
HUMIDITY: EXCEEDS MIL-C-26482 WHEN TESTED TO MIL-STD-202B, METHOD 106A (SEALED CONNECTOR ONLY). TEMPERATURE RATING: -67°F TO + 257°F.

ENVIRONMENTAL CHARACTERISTICS

CORROSION: 48 HOURS MINIMUM PER MIL-C-26500B (SEALED CONNECTOR ONLY).
DIELECTRIC WITHSTANDING VOLTAGE: 1000 V RMS TEST & 750 V RMS WORKING AT SEA LEVEL; 300 V RMS WORKING AT 70,000 FEET. (A.C. RMS)
CONTACT RATING: SEE CATALOG FOR CONTACT SIZE, CURRENT RATING, & WIRE SIZES.
TEMPERATURE RATING: -67°F TO + 257°F.

- CONNECTOR CATALOG NUMBER WILL BE STAMPED PER M.E.P. # 203-05 IN AREA INDICATED.
- RECOMMEND ORDERING: PIN CONTACTS (POWER OR COAXIAL) WITH RECEPTACLE CONNECTOR; SOCKET CONTACTS (POWER OR COAXIAL) WITH PLUG CONNECTOR.
- SEE CATALOG FOR COMPLETE ORDERING INFORMATION, VARIOUS LAYOUTS, AND ALTERNATE PIN POSITIONS.
- THIS IS A GENERAL SPECIFICATION CONTROL DRAWING AND DRAWING NUMBER SHOULD NOT BE USED FOR ORDERING. ORDERS PLACED BY "CATALOG NUMBERS ONLY".

TYPICAL MULTIPIN CATALOG NUMBER SEE NOTE 2

A 43 SERIES E-SEALED SHELL TYPE P - 2 LAYOUT CONTACT TYPE S - 14 (046) SPECIAL MODIFICATION
P1235

NO. REQ'D	ASSEMBLY	REV. 0	LET ECO	REVISION DESCRIPTION	BY	DATE	APP
	D	306		ADDED "0046" TO DWG # EM 100%			
	C			CHANGED TO MICRODOT TYPE 303			
	B			REMOVED FROM DRAWING			
	A			R/E 7 - WAS .0003-.0004			
NEXT ASSEMBLY							

STANDARD TOLERANCES UNLESS OTHERWISE SPECIFIED
DEC 3, 1952
FRAC. ± .001
ANGLES ± 2°
ECCENTRICITY MAX T/M
HOLE DIA .002
COMMERCIAL TOLERANCES APPLY TO STOCK DIMENSIONS

THESE DRAWINGS AND SPECIFICATIONS ARE THE PROPERTY OF MICRODOT INC AND ARE ISSUED IN STRICT CONFIDENCE AND SHALL NOT BE REPRODUCED OR COPIED OR USED AS THE BASIS FOR THE MANUFACTURE OR SALE OF APPARATUS WITHOUT PERMISSION

SURFACE TREATMENT NOTED

MATERIAL NOTED
PLUG, PUSH-FULL COUPLING WITH CABLE CLAMP (046) MOD.

PROD CODE 99A
DRAWN BY
CHECKED BY
DATE

3-2-64
DRAWING NO. 081-1311-0046

MICRODOT INC. SOUTH PARADISE, OHIO

X-ON Electronics

Largest Supplier of Electrical and Electronic Components

Click to view similar products for [TE Connectivity](#) manufacturer:

Other Similar products are found below :

[D38999/24FJ4AN](#) [570416-000](#) [CLTEQ-M81CE-SSRELAY-4-20V](#) [4-1195131-0](#) [650069-000](#) [SMD100-2](#) [358838-000](#) [CB-1022B-78](#)
[RM707012](#) [RP410012](#) [MMS42](#) [1-640426-8](#) [2EDL4CM](#) [DTS20W19-11PD-3028-LC](#) [RM202615](#) [NC6-P104-06](#) [MSPS103B](#) [DTS26F21-](#)
[41HE-LC](#) [DTS26F21-41AE](#) [DTS26F21-41PE-LC](#) [DTS26F21-11SE-3028-LC](#) [30DCB6](#) [1932144-1](#) [293545-4](#) [LVR125S](#) [MS27466T25F4PB](#)
[CKB-38-78010](#) [TR04AI-TINELLOCKRING](#) [1206SFF150F/63-2](#) [D38999/20JB35HA](#) [TE1500A2R2J](#) [D38999/20WC8BB](#) [DTS24F19-11SC-](#)
[3028-LC](#) [D38999/24WG11HA](#) [D38999/24WG11HN](#) [MS27467T21F11H](#) [DJT16E21-11HA](#) [MS27467T21F35J](#) [MS27467T21F11J](#)
[MS27467T21F16H-LC](#) [MS27467T21F35H](#) [MS27467T21F41H-LC](#) [1206SFH150F/24-2](#) [RP330024](#) [DJT16E21-11PA-LC](#) [DJT16E21-11HA-](#)
[LC](#) [DJT16E21-11AA](#) [MS27467T21B11JA](#) [DJT16E21-11JA](#) [MS27467T21B11JA-LC](#)