

4

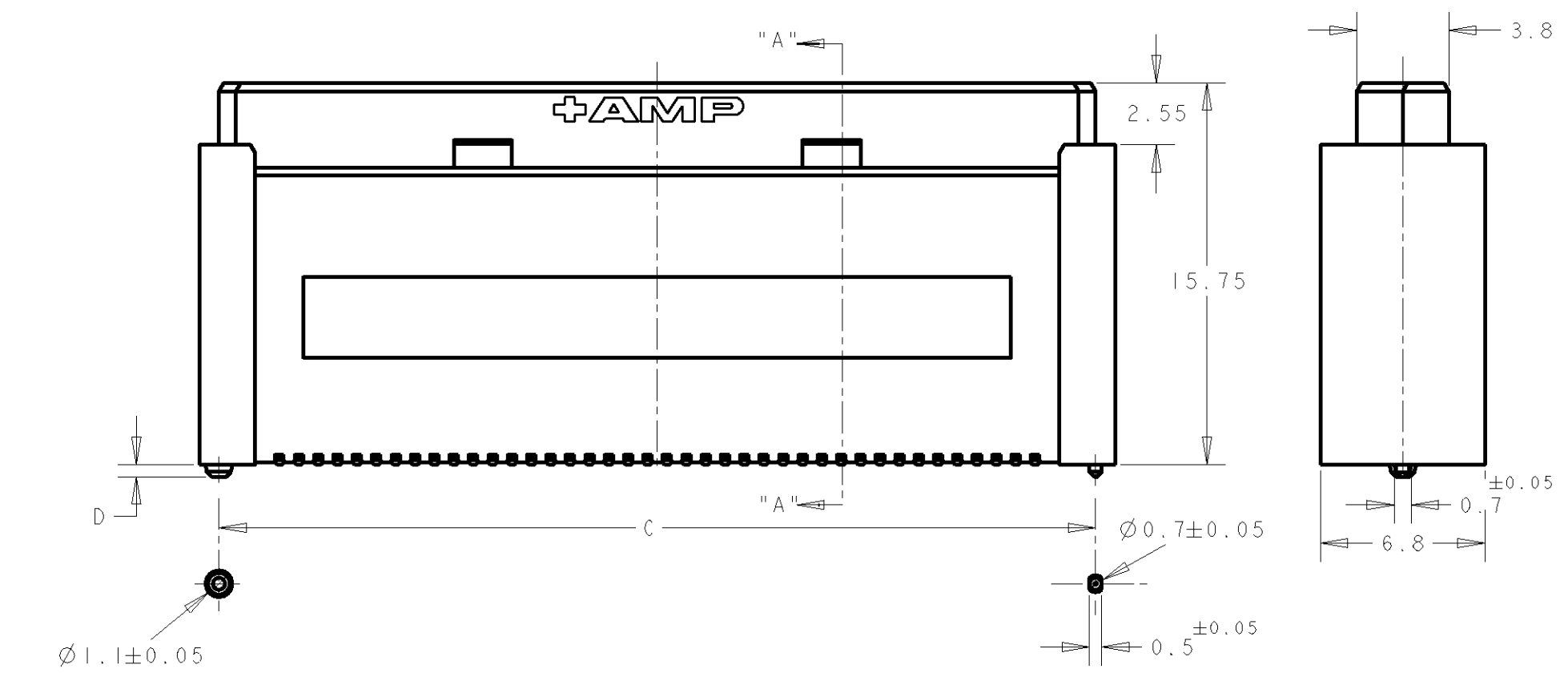
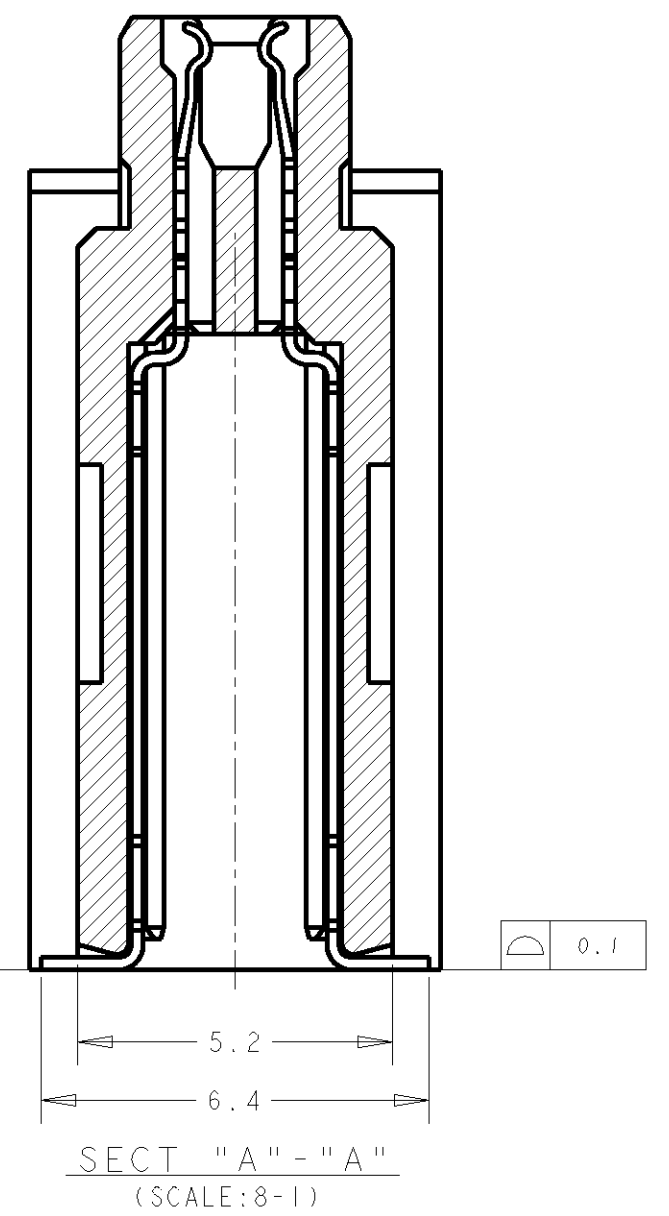
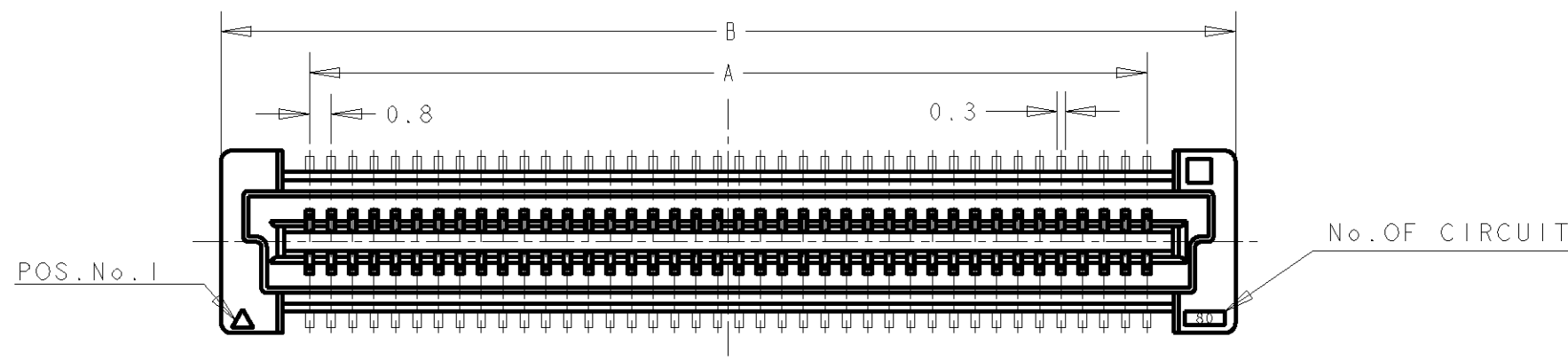
3

2

1

THIS DRAWING IS UNPUBLISHED. RELEASED FOR PUBLICATION
 © COPYRIGHT - BY - ALL RIGHTS RESERVED.

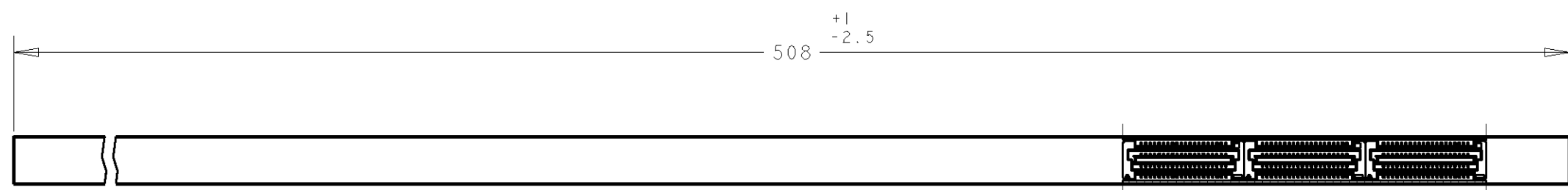
| LOC | DIST | REVISIONS | | | |
|-----|------|-------------|---------------------------|---------|--------|
| P | LTR | DESCRIPTION | DATE | DWN | APVD |
| DY | - | A2 | REVISED PER ECO-11-005139 | 19MAR11 | RK HMR |



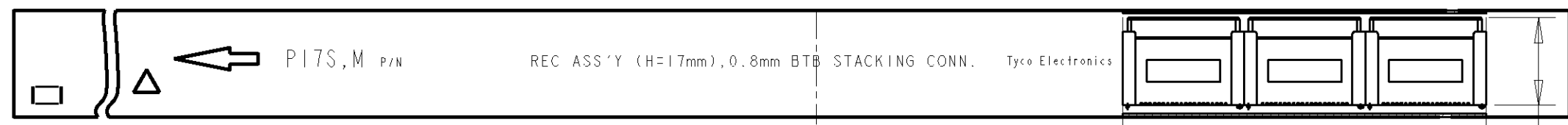
| | | | |
|---------------------------|--|--------------------------------|---------------------|
| DWN WYLEE 10JUL2007 | | | |
| CHK YJ SEE | | | |
| APVD SF FONG | | NAME | |
| PRODUCT SPEC 108-5390 | | RECEPTACLE 17mm HEIGHT | |
| APPLICATION SPEC 114-5254 | | FH 0.8mm PITCH B-T-B CONNECTOR | |
| WEIGHT - | | IN TUBE | |
| MATERIAL | | SIZE A3 | CAGE CODE 00779 |
| FINISH | | DRAWING NO C-1735480 | |
| CUSTOMER DRAWING | | SCALE 4:1 | SHEET 1 OF 3 REV A2 |

THIS DRAWING IS UNPUBLISHED. RELEASED FOR PUBLICATION .19 .
 © COPYRIGHT BY ALL RIGHTS RESERVED.

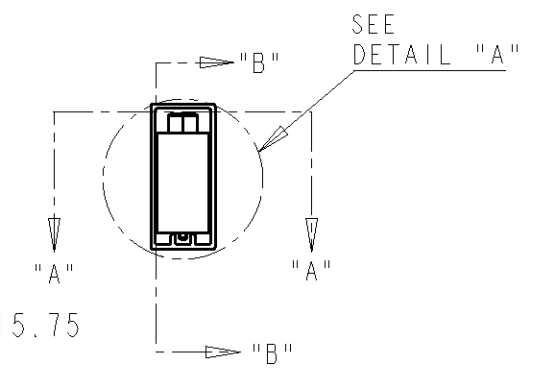
| LOC | DIST | REVISIONS | | | |
|-----|------|-------------|------|-----|------|
| P | LTR | DESCRIPTION | DATE | DWN | APVD |
| DY | - | SEE SHEET 1 | | | |



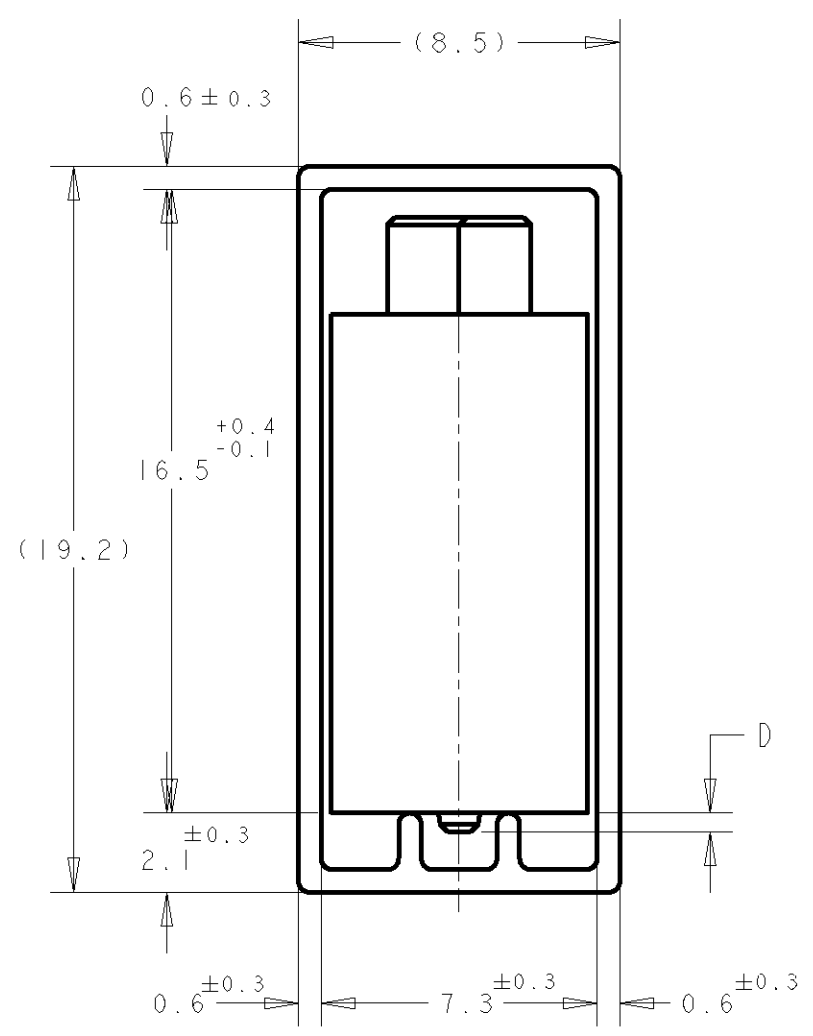
SECT "A" - "A"



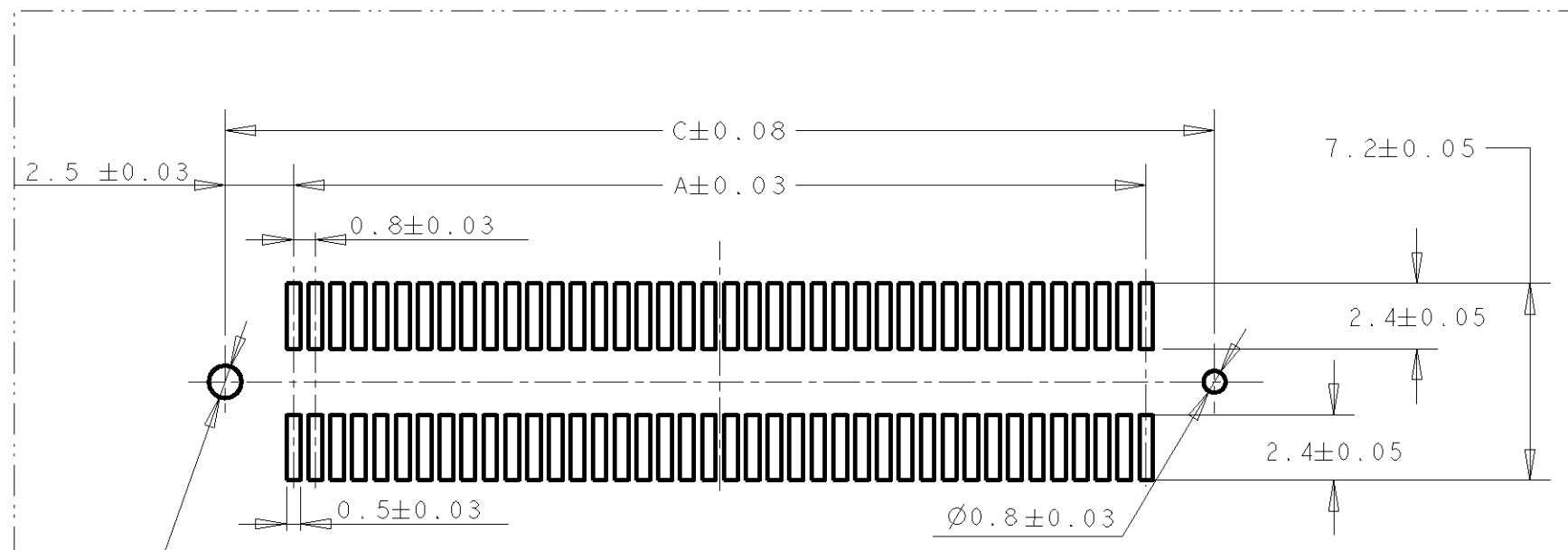
SECT "B" - "B"



SEE DETAIL "A"



DETAIL "A"
(SCALE 5-1)



RECOMMENDED P.C. BOARD LAYOUT

| | | | |
|------------------------------|--|--|-----------------|
| DWN WYLEE 10JUL2007 | | | |
| CHK YJ SEE | | | |
| APVD SF L FONG | | NAME RECEPTACLE 17mm HEIGHT FH 0.8mm PITCH B-T-B CONNECTOR IN TUBE | |
| PRODUCT SPEC SEE SHEET 1 | | SIZE A3 | CAGE CODE 00779 |
| APPLICATION SPEC SEE SHEET 1 | | DRAWING NO C-1735480 | |
| MATERIAL | | SCALE 4:1 | SHEET 2 OF 3 |
| FINISH | | REV A2 | |
| CUSTOMER DRAWING | | | |

THIS DRAWING IS UNPUBLISHED. RELEASED FOR PUBLICATION .19 .
 © COPYRIGHT - BY - ALL RIGHTS RESERVED.

| LOC | DIST | REVISIONS | | | | | |
|-----|------|-----------|-----|-------------|------|-----|------|
| DY | - | P | LTR | DESCRIPTION | DATE | DWN | APVD |
| | | | | SEE SHEET 1 | | | |

| | | | | | | | |
|--------------------------------------|--------------------|-------|-------|-------|-----|----|----|
| AVAILABLE (0.5mm BOSS LENGTH) | 30 u" Au - Sn 3 | 84.20 | 85.80 | 79.20 | 200 | 8- | -0 |
| | | 76.20 | 77.80 | 71.20 | 180 | 7- | -9 |
| | | 68.20 | 69.80 | 63.20 | 160 | 7- | -8 |
| | | 64.20 | 65.80 | 59.20 | 150 | 7- | -7 |
| | | 60.20 | 61.80 | 55.20 | 140 | 7- | -6 |
| | | 52.20 | 53.80 | 47.20 | 120 | 7- | -5 |
| | | 44.20 | 45.80 | 39.20 | 100 | 7- | -4 |
| | | 36.20 | 37.80 | 31.20 | 80 | 7- | -3 |
| | 28.20 | 29.80 | 23.20 | 60 | 7- | -2 | |
| | 20.20 | 21.80 | 15.20 | 40 | 7- | -1 | |
| | 08 u" Au - Sn 2 | 84.20 | 85.80 | 79.20 | 200 | 6- | -0 |
| | | 76.20 | 77.80 | 71.20 | 180 | 5- | -9 |
| | | 68.20 | 69.80 | 63.20 | 160 | 5- | -8 |
| | | 64.20 | 65.80 | 59.20 | 150 | 5- | -7 |
| | | 60.20 | 61.80 | 55.20 | 140 | 5- | -6 |
| | | 52.20 | 53.80 | 47.20 | 120 | 5- | -5 |
| 44.20 | | 45.80 | 39.20 | 100 | 5- | -4 | |
| 36.20 | | 37.80 | 31.20 | 80 | 5- | -3 | |
| 28.20 | | 29.80 | 23.20 | 60 | 5- | -2 | |
| 0.5 | | 20.20 | 21.80 | 15.20 | 40 | 5- | -1 |
| NOT AVAILABLE (0.8mm BOSS LENGTH) | 30 u" Au - Sn 3 | 84.20 | 85.80 | 79.20 | 200 | 3- | -0 |
| | | 76.20 | 77.80 | 71.20 | 180 | 2- | -9 |
| | | 68.20 | 69.80 | 63.20 | 160 | 2- | -8 |
| | | 64.20 | 65.80 | 59.20 | 150 | 2- | -7 |
| | | 60.20 | 61.80 | 55.20 | 140 | 2- | -6 |
| | | 52.20 | 53.80 | 47.20 | 120 | 2- | -5 |
| | | 44.20 | 45.80 | 39.20 | 100 | 2- | -4 |
| | | 36.20 | 37.80 | 31.20 | 80 | 2- | -3 |
| | 28.20 | 29.80 | 23.20 | 60 | 2- | -2 | |
| | 20.20 | 21.80 | 15.20 | 40 | 2- | -1 | |
| | 08 u" Au - Sn 2 | 84.20 | 85.80 | 79.20 | 200 | 1- | -0 |
| | | 76.20 | 77.80 | 71.20 | 180 | | -9 |
| | | 68.20 | 69.80 | 63.20 | 160 | | -8 |
| | | 64.20 | 65.80 | 59.20 | 150 | | -7 |
| | | 60.20 | 61.80 | 55.20 | 140 | | -6 |
| | | 52.20 | 53.80 | 47.20 | 120 | | -5 |
| 44.20 | | 45.80 | 39.20 | 100 | | -4 | |
| 36.20 | | 37.80 | 31.20 | 80 | | -3 | |
| 28.20 | 29.80 | 23.20 | 60 | | -2 | | |
| 0.8 | 20.20 | 21.80 | 15.20 | 40 | | -1 | |

NOTES:

1 MATERIAL: HOUSING: L.C.P. (HIGH TEMP THERMO-PLASTIC)
 UL 94V-0, NATURAL.
 CONTACT: COPPER ALLOY

2 FINISH:
 ENGAGEMENT AREA: 0.0002 MIN GOLD
 SOLDERING AREA: 0.002 MIN MATTE TIN
 UNDERCOAT: 0.0013 MIN NICKEL ALL OVER.

3 FINISH:
 ENGAGEMENT AREA: 0.00076 MIN GOLD
 SOLDERING AREA: 0.002 MIN MATTE TIN
 UNDERCOAT: 0.0013 MIN NICKEL ALL OVER.

4. SEE SERIES TABLE FOR PART NUMBERS

5. CONNECTOR MATED STACKED HEIGHT IS COMBINATION OF
 PLUG HEIGHT "Y" AND REC HEIGHT "X", LESS 5 mm.

STACKED HEIGHT = Y + X - 5

| | | | | | | |
|-------------------|--|--|-------------|---------------------------------|---|-----------------------|
| DIMENSIONS: mm | | TOLERANCES UNLESS OTHERWISE SPECIFIED: | | DWN WYLEE 10JUL2007 | STE TE Connectivity | |
| | | 0 PLC ±- | 1 PLC ±0.30 | CHK YJ SEE | | |
| | | 2 PLC ±0.25 | 3 PLC ±0.20 | APVD SF J FONG | NAME RECEPTACLE 17mm HEIGHT FH 0.8mm PITCH B-T-B CONNECTOR IN TUBE | |
| | | 4 PLC ±- | ANGLES ±3° | PRODUCT SPEC SEE SHEET 1 | SIZE A3 | |
| MATERIAL | | FINISH | | APPLICATION SPEC SEE SHEET 1 | CAGE CODE 00779 | DRAWING NO 1735480 |
| | | | | WEIGHT - | SCALE 4:1 SHEET 3 OF 3 REV A2 | |
| CUSTOMER DRAWING | | | | | | |

X-ON Electronics

Largest Supplier of Electrical and Electronic Components

Click to view similar products for [Board to Board & Mezzanine Connectors](#) category:

Click to view products by [TE Connectivity](#) manufacturer:

Other Similar products are found below :

[10135583-642402LF](#) [89885-310LF](#) [589158040000018](#) [6-1393048-0](#) [68683-613](#) [MDF7-12DP-2.54DSA](#) [MDF7-18P-2.54DSA\(01\)](#) [MDF7-20DP-2.54DSA](#) [MDF7-26D-2.54DSA\(55\)](#) [MDF7-3P-2.54DSA\(01\)](#) [MDF7B-20P-2.54DSA\(01\)](#) [MDF7B-3P-2.54DSA\(55\)](#) [MDF7C-18P-2.54DSA\(55\)](#) [MDF7P-5P-2.54DSA\(55\)](#) [75234-0516](#) [FCN-230C068-11](#) [FCN-268F012-G/BD](#) [FCN-268F036-G/BD](#) [FCN-268M012-G/0D](#) [FCN-268M024-G/1D](#) [FCN-360C008-C](#) [FCN-723J004/1](#) [MIS-048-01-F-D-DP-K](#) [832-10-034-10-001000](#) [93696-325LF](#) [11828-1FA](#) [AXK630345P](#) [18097-0013](#) [2007042-2](#) [304400-2](#) [FCN-214Q030-G/0](#) [FCN-215Q040-G/0](#) [FCN-230C068-ESA](#) [FCN-234P048-G/0](#) [FCN-235D050-G/C](#) [FCN-360A3](#) [FCN-360C040-B](#) [210-93-314-41-105000](#) [2-22603-0](#) [379-064-521-202](#) [MDF7-12P-2.54DSA\(01\)](#) [MDF7-16P-2.54DS\(56\)](#) [MDF7-16P-2.54DSA\(55\)](#) [MDF7-40DP-2.54DSA\(55\)](#) [MDF7-8P-2.54DSA\(55\)](#) [AXG720047](#) [5031084030](#) [55323-1519](#) [DF33-2P-3.3DSA\(24\)](#) [DF33-2S-3.3C](#)