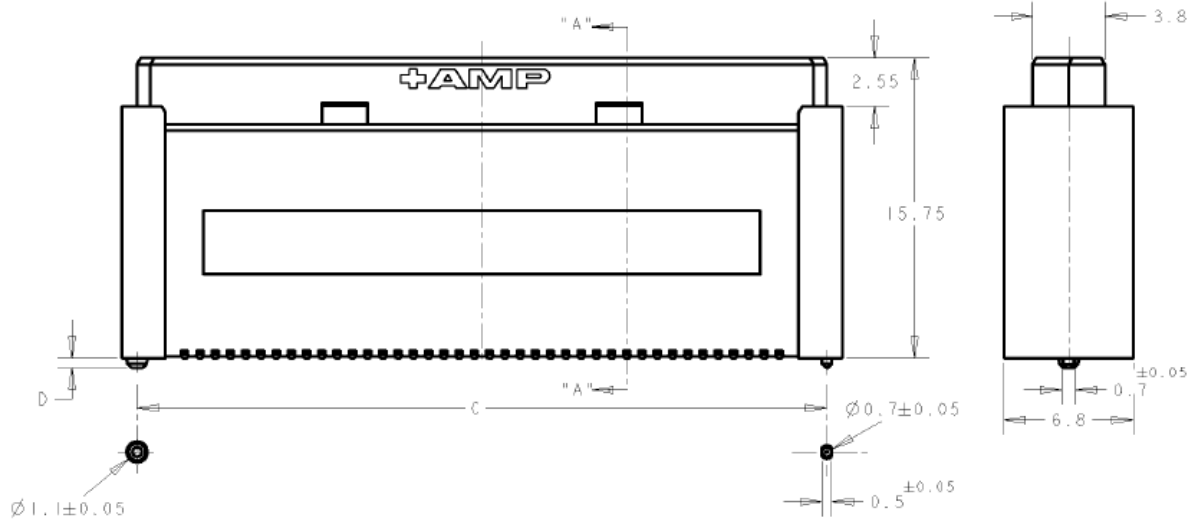
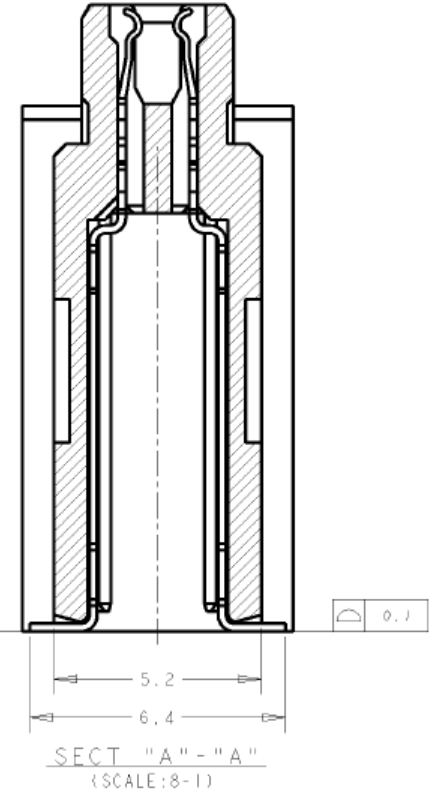
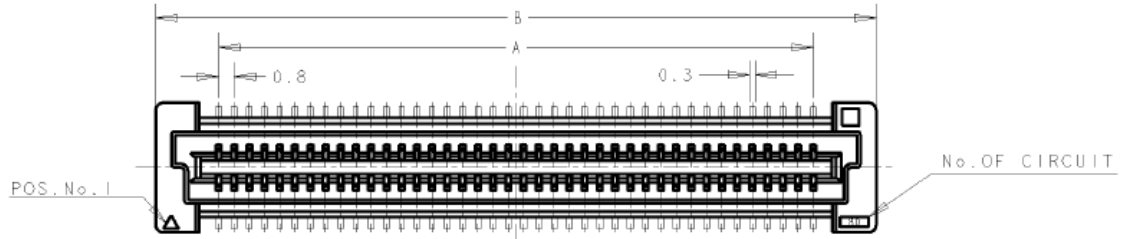


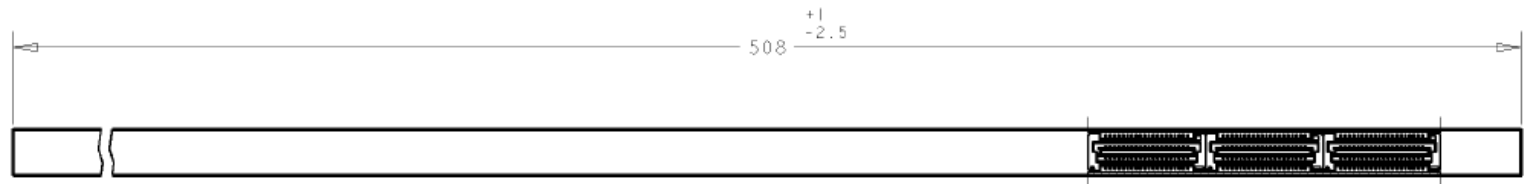
REVISIONS

P	LTR	DESCRIPTION	DATE	DWN	APVD
	A3	OBSOLETE 150POS(ECO-20-009897)	1MAR2021	A.L	H.L



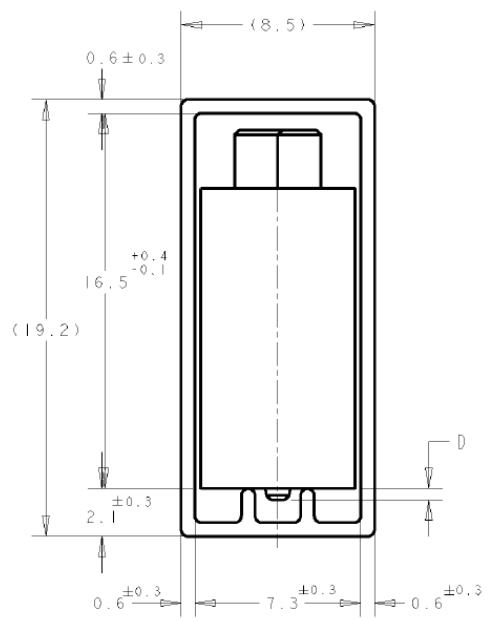
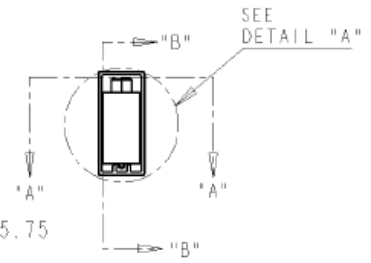
THIS DRAWING IS A CONTROLLED DOCUMENT.		DWN WYLEE	10JUL2007	TE Connectivity	
		CHK YJ SEE	-		
DIMENSIONS: mm		TOLERANCES UNLESS OTHERWISE SPECIFIED: 0 PLC ± - 1 PLC ± 0.30 2 PLC ± 0.25 3 PLC ± 0.20 4 PLC ANGLES ± 3°		NAME SF LFONG	
		APPLICATION SPEC 108-5390		PRODUCT SPEC 114-5254	
MATERIAL - 1		FINISH - 2		SIZE A3	CAGE CODE 00779
CUSTOMER DRAWING				DRAWING NO C=1735480	RESTRICTED TO -
			SCALE 4:1	SHEET 1 OF 3	REV A3

P	LTR	DESCRIPTION	DATE	DWN	APVD
-	-	SEE SHEET 1	-	-	-

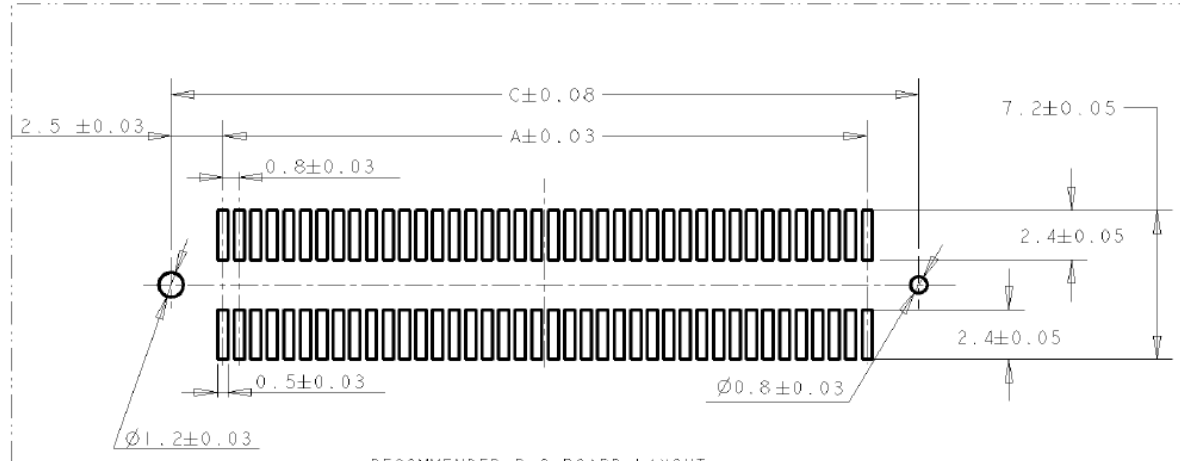


SECT "A" - "A"

SECT "B" - "B"



DETAIL "A"
(SCALE 5-1)



RECOMMENDED P.C. BOARD LAYOUT

THIS DRAWING IS A CONTROLLED DOCUMENT.		DWN WYLEE	10JUL2007	TE Connectivity	
		CHK YJ SEE	-		
DIMENSIONS: mm		TOLERANCES UNLESS OTHERWISE SPECIFIED:		NAME	
		0 PLC	± -	RECEPTACLE 17MM HEIGHT FH 0.8MM PITCH B-T-B CONNECTOR IN TUBE	
		1 PLC	± 0.30		
		2 PLC	± 0.25		
		3 PLC	± 0.20		
MATERIAL		FINISH		APVD SF LFONG	RESTRICTED TO
-		-		PRODUCT SPEC 108-5390	-
				APPLICATION SPEC 114-5254	SIZE A3
				WEIGHT -	CAGE CODE 00779
				CUSTOMER DRAWING	DRAWING NO C=1735480
				SCALE 4:1	SHEET 2 OF 3
				REV A3	

REVISIONS					
P	LTR	DESCRIPTION	DATE	DWN	APVD
-	-	SEE SHEET 1	-	-	-

NOTES:

1 MATERIAL: HOUSING: L.C.P. (HIGH TEMP THERMO-PLASTIC)
UL 94V-0, NATURAL.
CONTACT: COPPER ALLOY

2 FINISH:
ENGAGEMENT AREA: 0.0002 MIN GOLD
SOLDERING AREA: 0.002 MIN MATTE TIN
UNDERCOAT: 0.0013 MIN NICKEL ALL OVER.

3 FINISH:
ENGAGEMENT AREA: 0.00076 MIN GOLD
SOLDERING AREA: 0.002 MIN MATTE TIN
UNDERCOAT: 0.0013 MIN NICKEL ALL OVER.

4. SEE SERIES TABLE FOR PART NUMBERS

5. CONNECTOR MATED STACKED HEIGHT IS COMBINATION OF
PLUG HEIGHT "Y" AND REC HEIGHT "X", LESS 5 mm.

STACKED HEIGHT = Y + X - 5

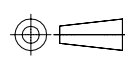
OBSOLETE

OBSOLETE

AVAILABLE (0.5mm BOSS LENGTH)	30 u" Au - Sn	84.20	85.80	79.20	200	8-	-0
		76.20	77.80	71.20	180	7-	-9
		68.20	69.80	63.20	160	7-	-8
		64.20	65.80	59.20	150	7-	-7
		60.20	61.80	55.20	140	7-	-6
		52.20	53.80	47.20	120	7-	-5
		44.20	45.80	39.20	100	7-	-4
		36.20	37.80	31.20	80	7-	-3
		28.20	29.80	23.20	60	7-	-2
		20.20	21.80	15.20	40	7-	-1
		84.20	85.80	79.20	200	6-	-0
		76.20	77.80	71.20	180	5-	-9
		68.20	69.80	63.20	160	5-	-8
		64.20	65.80	59.20	150	5-	-7
		60.20	61.80	55.20	140	5-	-6
		52.20	53.80	47.20	120	5-	-5
		44.20	45.80	39.20	100	5-	-4
		36.20	37.80	31.20	80	5-	-3
		28.20	29.80	23.20	60	5-	-2
0.5		20.20	21.80	15.20	40	5-	-1
NOT AVAILABLE (0.8mm BOSS LENGTH)	30 u" Au - Sn	84.20	85.80	79.20	200	3-	-0
		76.20	77.80	71.20	180	2-	-9
		68.20	69.80	63.20	160	2-	-8
		64.20	65.80	59.20	150	2-	-7
		60.20	61.80	55.20	140	2-	-6
		52.20	53.80	47.20	120	2-	-5
		44.20	45.80	39.20	100	2-	-4
		36.20	37.80	31.20	80	2-	-3
		28.20	29.80	23.20	60	2-	-2
		20.20	21.80	15.20	40	2-	-1
	08 u" Au - Sn	84.20	85.80	79.20	200	1-	-0
		76.20	77.80	71.20	180		-9
		68.20	69.80	63.20	160		-8
		64.20	65.80	59.20	150		-7
		60.20	61.80	55.20	140		-6
		52.20	53.80	47.20	120		-5
		44.20	45.80	39.20	100		-4
		36.20	37.80	31.20	80		-3
		28.20	29.80	23.20	60		-2
		0.8	20.20	21.80	15.20	40	

THIS DRAWING IS A CONTROLLED DOCUMENT.

DIMENSIONS:
mm



TOLERANCES UNLESS OTHERWISE SPECIFIED:
0 PLC ± -
1 PLC ± 0.30
2 PLC ± 0.25
3 PLC ± 0.20
4 PLC ANGLES ± -

MATERIAL
-

FINISH
-

DWN	WYLEE	10JUL2007
CHK	YJ SEE	-
APVD	SF LFONG	-
PRODUCT SPEC	108-5390	-
APPLICATION SPEC	114-5254	-
WEIGHT	-	-
CUSTOMER DRAWING		

STE TE Connectivity

RECEPTACLE 17MM HEIGHT
FH 0.8MM PITCH B-T-B CONNECTOR
IN TUBE

SIZE	CAGE CODE	DRAWING NO	RESTRICTED TO
A3	00779	C=1735480	-

SCALE 4:1 SHEET 3 of 3 REV A3

X-ON Electronics

Largest Supplier of Electrical and Electronic Components

Click to view similar products for [Board to Board & Mezzanine Connectors](#) category:

Click to view products by [TE Connectivity](#) manufacturer:

Other Similar products are found below :

[589158040000018](#) [MDF7C-18P-2.54DSA\(55\)](#) [FCN-230C068-11](#) [FCN-268F012-G/BD](#) [FCN-268F036-G/BD](#) [FCN-268M012-G/0D](#) [FCN-268M024-G/1D](#) [FCN-723J004/1](#) [MIS-048-01-F-D-DP-K](#) [832-10-034-10-001000](#) [FX4C-80S-1.27DSA](#) [FCN-214Q030-G/0](#) [FCN-234P048-G/0](#) [FCN-235D050-G/C](#) [210-93-314-41-105000](#) [2-22603-0](#) [MDF7-40DP-2.54DSA\(55\)](#) [AXG720047](#) [5031084030](#) [MIT-114-03-F-D-K](#) [55323-1519](#) [DF33-2P-3.3DSA\(24\)](#) [YFT-20-05-H-03-SB-K](#) [503308-3040](#) [026-6203-PDB](#) [027-6203-PDB](#) [069159702701000](#) [10123981-102LF](#) [101A10019X](#) [55650-0588-C](#) [68682-310LF](#) [68684-306](#) [75140-7012](#) [87471-650](#) [YTW-30-07-H-Q-410-140](#) [194261-1](#) [FCN-268F024-G0D](#) [10124054-515LF](#) [68685-603](#) [8-1616154-3](#) [MIS-019-01-F-D](#) [FCN-268M024-G/3D](#) [20021832-06016C1LF](#) [KX15-20KLDL-E1000E](#) [MDF7-16DP-2.54DSA\(55\)](#) [AXE810124](#) [FCN-214J100-G/0](#) [FCN-230C068-E/S](#) [AXE812124](#) [AXE816124](#)