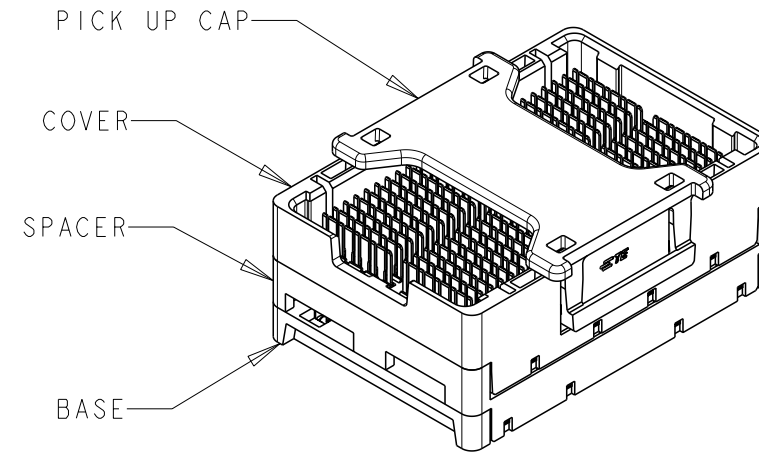
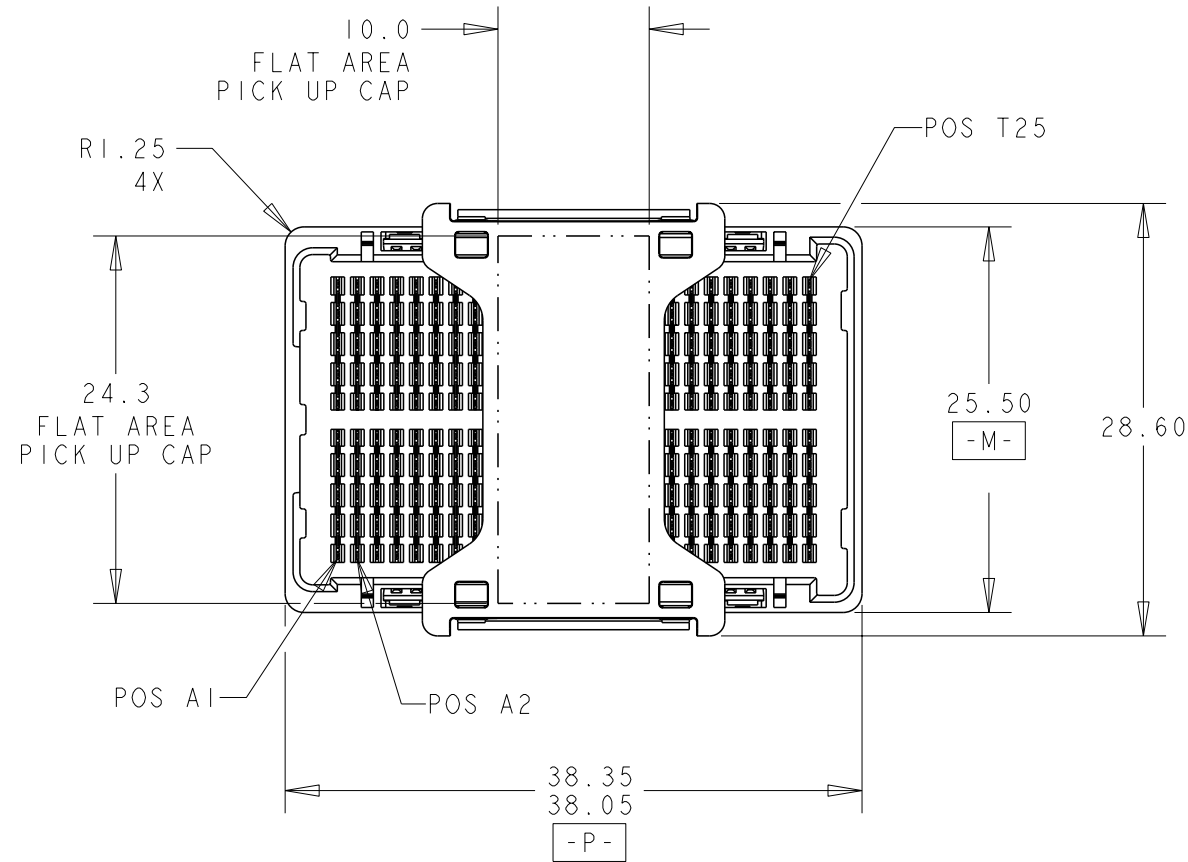
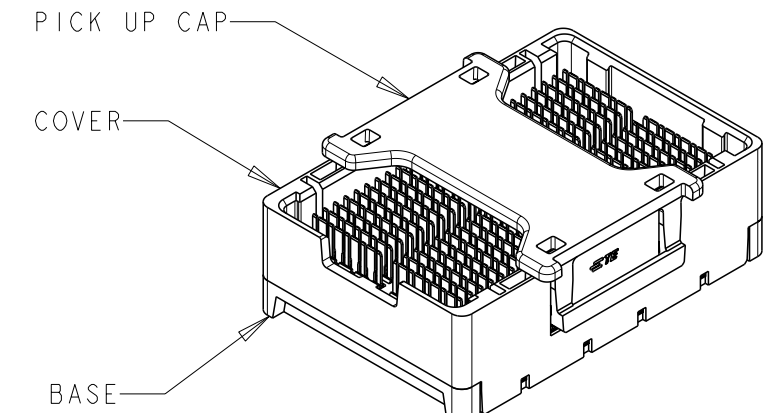
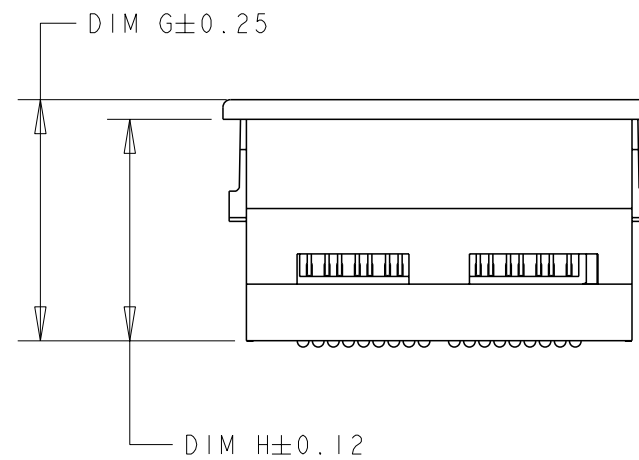
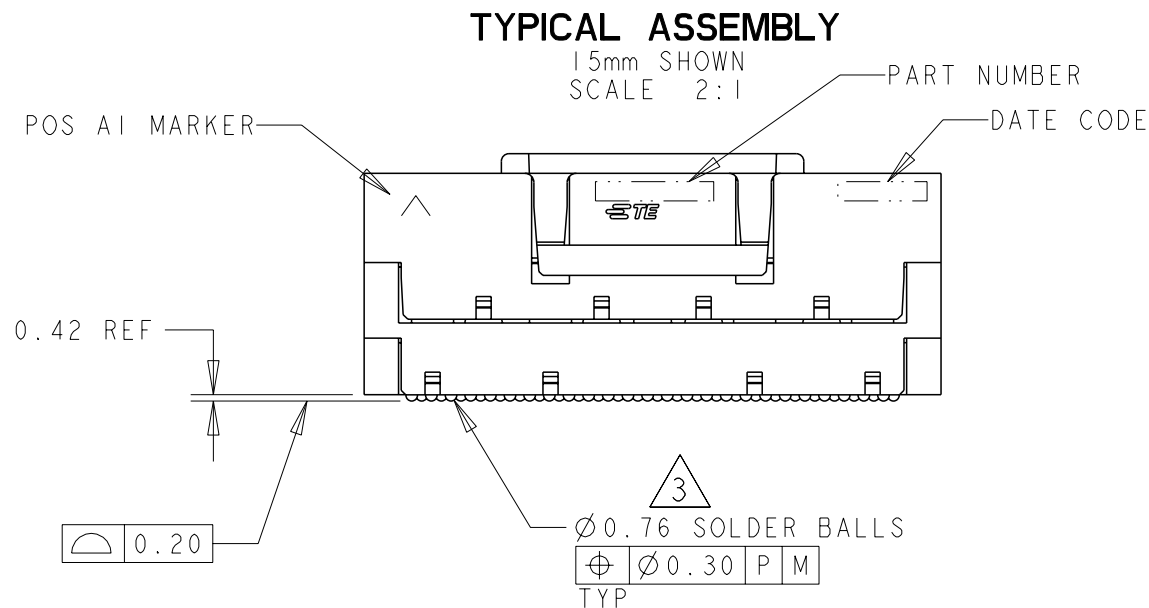


P	LTR	DESCRIPTION	DATE	DWN	APVD
	A7	REVISED PER ECO-20-017117	27APR2021	AP	RW



ISOMETRIC VIEW
TYPICAL CONFIGURATION FOR
15mm, 20mm & 25mm ASSEMBLY
SCALE 3:2



ISOMETRIC VIEW
TYPICAL CONFIGURATION FOR
10mm, 12mm, & 13mm ASSEMBLY
SCALE 3:2

THIS DRAWING IS A CONTROLLED DOCUMENT.		DWN P BRANDBERG 17DEC04	TE Connectivity	
DIMENSIONS: mm		CHK D WERTZ 05JAN05		
TOLERANCES UNLESS OTHERWISE SPECIFIED:		APVD D WERTZ 05JAN05	NAME STEP-Z, PLUG ASSEMBLY, 200 SIGNAL POSITION	
0 PLC ±- 1 PLC ±0.3 2 PLC ±0.10 3 PLC ±0.050 4 PLC ±- ANGLES ±2°		PRODUCT SPEC 108-2143	RESTRICTED TO	
MATERIAL		APPLICATION SPEC 114-13101	SIZE A3	CAGE CODE 00779
FINISH		WEIGHT -	DRAWING NO C-1761614	REV A7
DIM 1 		CUSTOMER DRAWING		SCALE 2:1
DIM 2 		SHEET 1 OF 5		

REVISIONS

P	LTR	DESCRIPTION	DATE	DWN	APVD
-		SEE SHEET 1	-	-	-

1 MATERIAL:
 BASE, SPACER, COVER: THERMOPLASTIC
 PICK UP CAP: THERMOPLASTIC
 CONTACT: COPPER ALLOY
 SOLDER BALL: Sn/Pb FOR P/N 1761614-1 THRU 5-1761614-0
 Sn/Ag FOR P/N 5-1761614-1 THRU 9-1761614-9

2 FINISH:
 CONTACT: 0.00076 MIN GOLD OVER 0.00127 MIN NICKEL.
 (30µ" MIN GOLD OVER 50µ" MIN NICKEL)

3 SOLDER BALLS WILL NOT BE PERFECT
 SPHERICAL SHAPE DUE TO REFLOW ATTACHMENT.

4 CONTACTS IN ROWS A,C,E,G,J,K,M,P,R, AND T
 ARE SINGLE BEAM CONTACTS,
 TYPICALLY USED AS GROUND PINS.
 (NOTE: CONTACTS IN ROW J & K ARE TIED
 TOGETHER [COMMONED]).

5 CONTACTS IN ROWS B,D,F,H,L,N,Q, AND S
 ARE DUAL BEAM CONTACTS,
 TYPICALLY USED AS SIGNAL PINS.


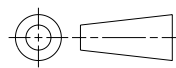
6 SPECIFIED POSITIONAL TOLERANCE DEFINES PAD TO PAD
 LOCATION WITHIN LAND PATTERN. POSITIONAL TOLERANCE
 OF LAND PATTERN TO FUDICIAL MARKS OR PCB DATUMS
 SHALL BE DEFINED BY CUSTOMER. FOR RECOMMENDED
 PRODUCT APPLICATION AND PCB DESIGN DETAILS, SEE
 APPLICATION SPEC 114-13101.

7 SOLDER PADS UNUSED, MAY BE OMITTED.

8 REFERENCE BOARD PATTERN FOR DIMENSIONS
 AND DETAILS NOT SHOWN.

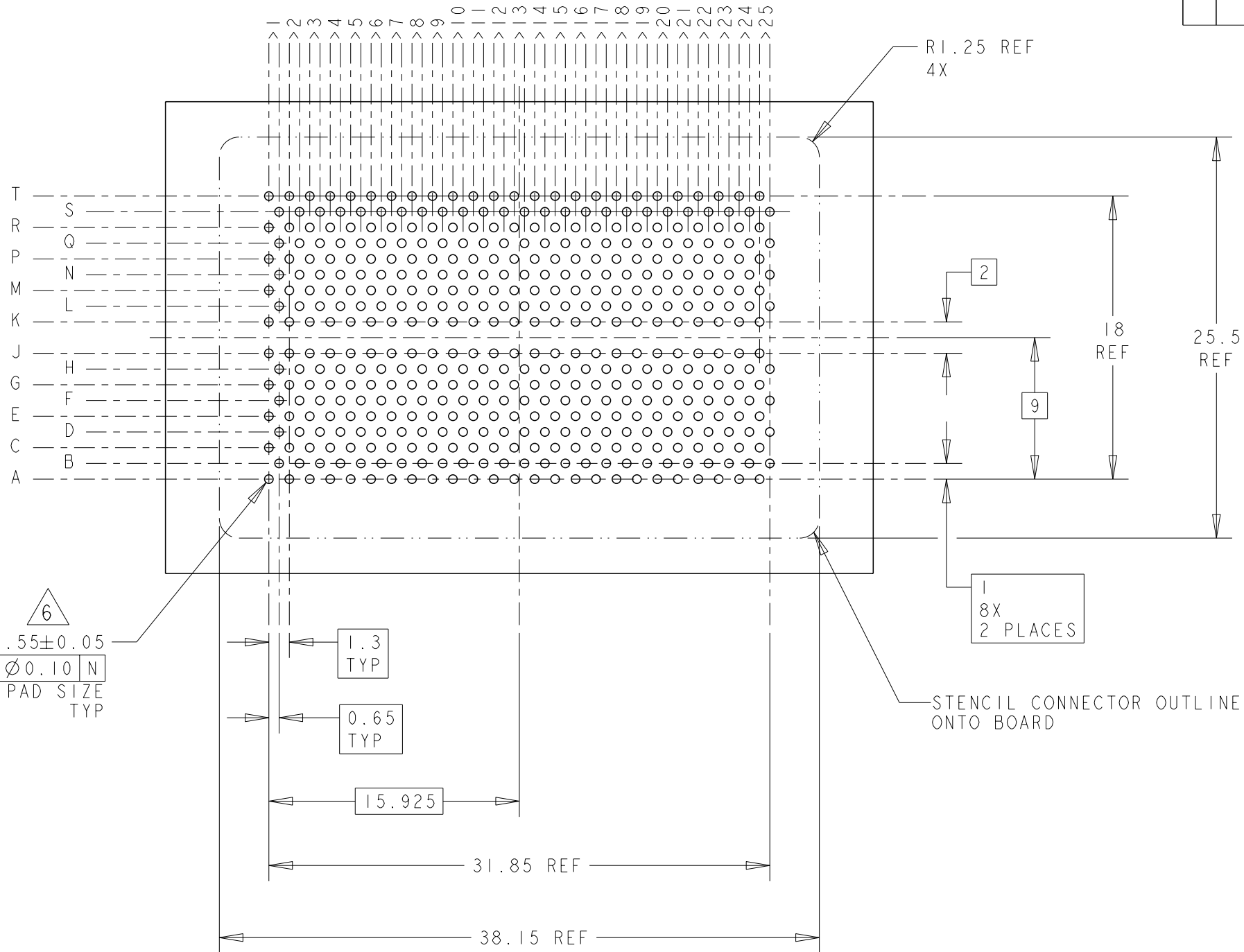
11.65	12.95	SELECT LOAD-112 POSN-SEE VIEW 35	12mm Sn/Ag	8-1761614-5
12.65	13.95	SELECT LOAD-104 POSN-SEE VIEW 31	13mm Sn/Ag	8-1761614-3
19.65	20.95	SELECT LOAD-104 POSN-SEE VIEW 31	20mm Sn/Ag	8-1761614-2
9.65	10.95	SELECT LOAD-104 POSN-SEE VIEW 31	10mm Sn/Ag	8-1761614-1
24.65	25.95	FULL LOAD-200 POSN	25mm Sn/Ag	7-1761614-5
19.65	20.95	FULL LOAD-200 POSN	20mm Sn/Ag	7-1761614-0
14.65	15.95	FULL LOAD-200 POSN	15mm Sn/Ag	6-1761614-5
12.65	13.95	FULL LOAD-200 POSN	13mm Sn/Ag	6-1761614-3
11.65	12.95	FULL LOAD-200 POSN	12mm Sn/Ag	6-1761614-2
9.65	10.95	FULL LOAD-200 POSN	10mm Sn/Ag	6-1761614-0
9.65	10.95	SELECT LOAD-120 POSN-SEE VIEW 34	10mm Sn/Pb	3-1761614-4
12.65	13.95	SELECT LOAD-104 POSN-SEE VIEW 31	13mm Sn/Pb	3-1761614-3
19.65	20.95	SELECT LOAD-104 POSN-SEE VIEW 31	20mm Sn/Pb	3-1761614-2
9.65	10.95	SELECT LOAD-104 POSN-SEE VIEW 31	10mm Sn/Pb	3-1761614-1
24.65	25.95	FULL LOAD-200 POSN	25mm Sn/Pb	2-1761614-5
19.65	20.95	FULL LOAD-200 POSN	20mm Sn/Pb	2-1761614-0
14.65	15.95	FULL LOAD-200 POSN	15mm Sn/Pb	1-1761614-5
12.65	13.95	FULL LOAD-200 POSN	13mm Sn/Pb	1-1761614-3
11.65	12.95	FULL LOAD-200 POSN	12mm Sn/Pb	1-1761614-2
9.65	10.95	FULL LOAD-200 POSN	10mm Sn/Pb	1-1761614-0
DIM H	DIM G	LOAD STYLE	DESCRIPTION	PART NUMBER

OBSOLETE

THIS DRAWING IS A CONTROLLED DOCUMENT.		DWN P BRANDBERG 17DEC04	 TE Connectivity	
DIMENSIONS: mm		CHK D WERTZ 05JAN05		
		APVD D WERTZ 05JAN05	NAME STEP-Z, PLUG ASSEMBLY, 200 SIGNAL POSITION	
TOLERANCES UNLESS OTHERWISE SPECIFIED: 0 PLC ±- 1 PLC ±0.3 2 PLC ±0.10 3 PLC ±0.050 4 PLC ±- ANGLES ±2°		PRODUCT SPEC 108-2143	RESTRICTED TO	
MATERIAL -		FINISH -	APPLICATION SPEC 114-13101	SIZE A300779
		WEIGHT -	DRAWING NO C=1761614	CAGE CODE
		CUSTOMER DRAWING	SCALE 2:1	SHEET 2 OF 5
				REV A7

Printed on 27 Apr 2021 10:03 from FRO19828

P	LTR	DESCRIPTION	DATE	DWN	APVD
-	-	SEE SHEET 1	-	-	-



6
 $\varnothing 0.55 \pm 0.05$
 $\varnothing 0.10$ N
 PAD SIZE
 TYP

1.3
 TYP
 0.65
 TYP
 15.925
 31.85 REF
 38.15 REF

1
 8X
 2 PLACES

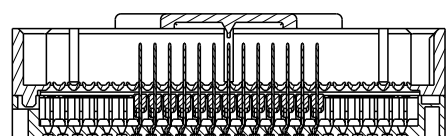
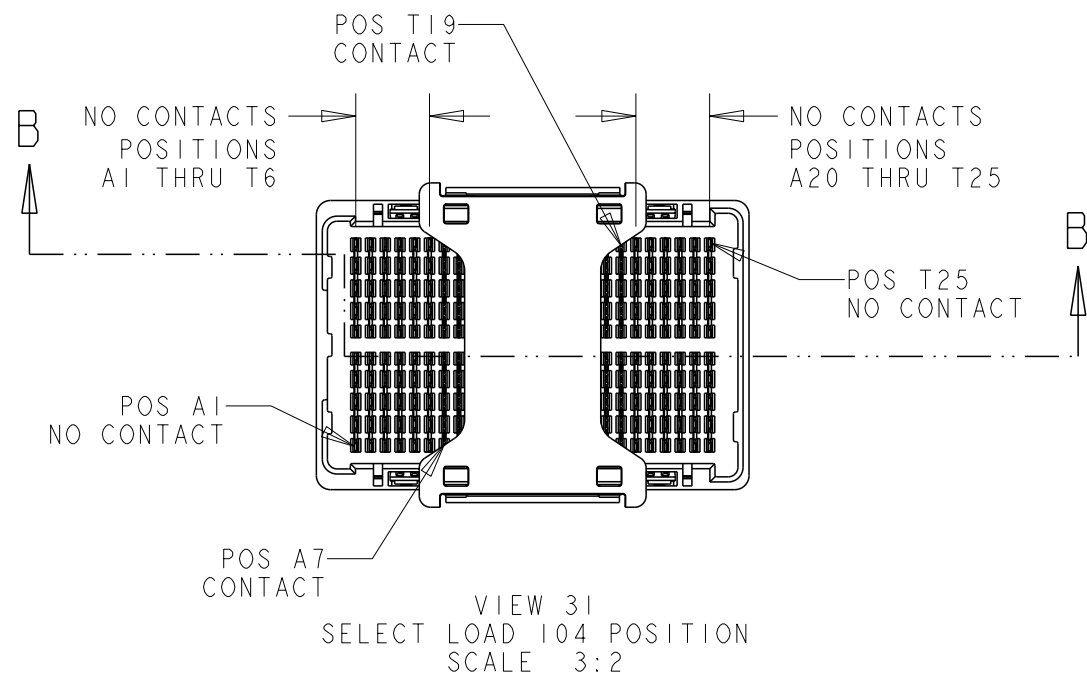
STENCIL CONNECTOR OUTLINE
 ONTO BOARD

- N -

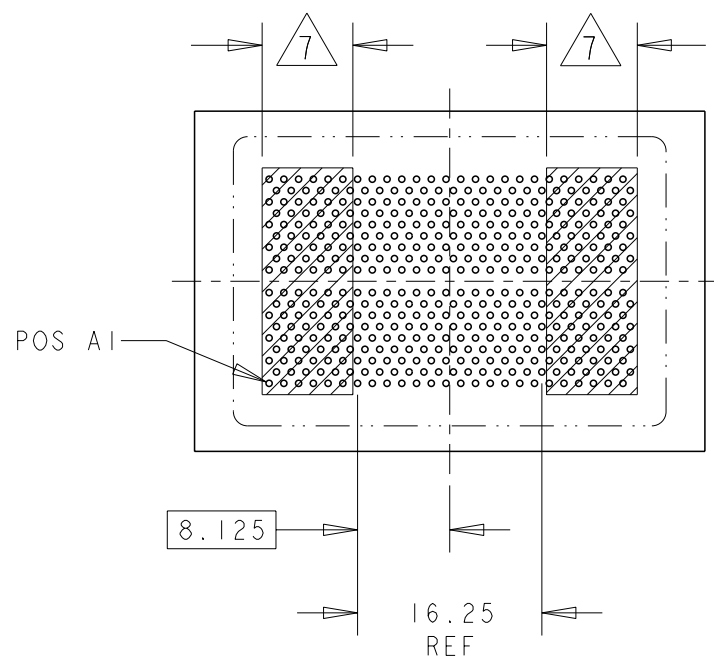
4 5 BOARD PATTERN
 SCALE 3:1

THIS DRAWING IS A CONTROLLED DOCUMENT.		DWN P BRANDBERG 17DEC04		
DIMENSIONS: mm		CHK D WERTZ 05JAN05		
TOLERANCES UNLESS OTHERWISE SPECIFIED:		APVD D WERTZ 05JAN05	NAME STEP-Z, PLUG ASSEMBLY, 200 SIGNAL POSITION	
0 PLC ±-		PRODUCT SPEC 108-2143	SIZE A3	
1 PLC ±0.3		APPLICATION SPEC 114-13101	CAGE CODE 300779	DRAWING NO C-1761614
2 PLC ±0.10		WEIGHT -	RESTRICTED TO	
3 PLC ±0.050		CUSTOMER DRAWING	SCALE 2:1	SHEET 3 OF 5
4 PLC ±-				REV A7
ANGLES ±2°				
FINISH -				

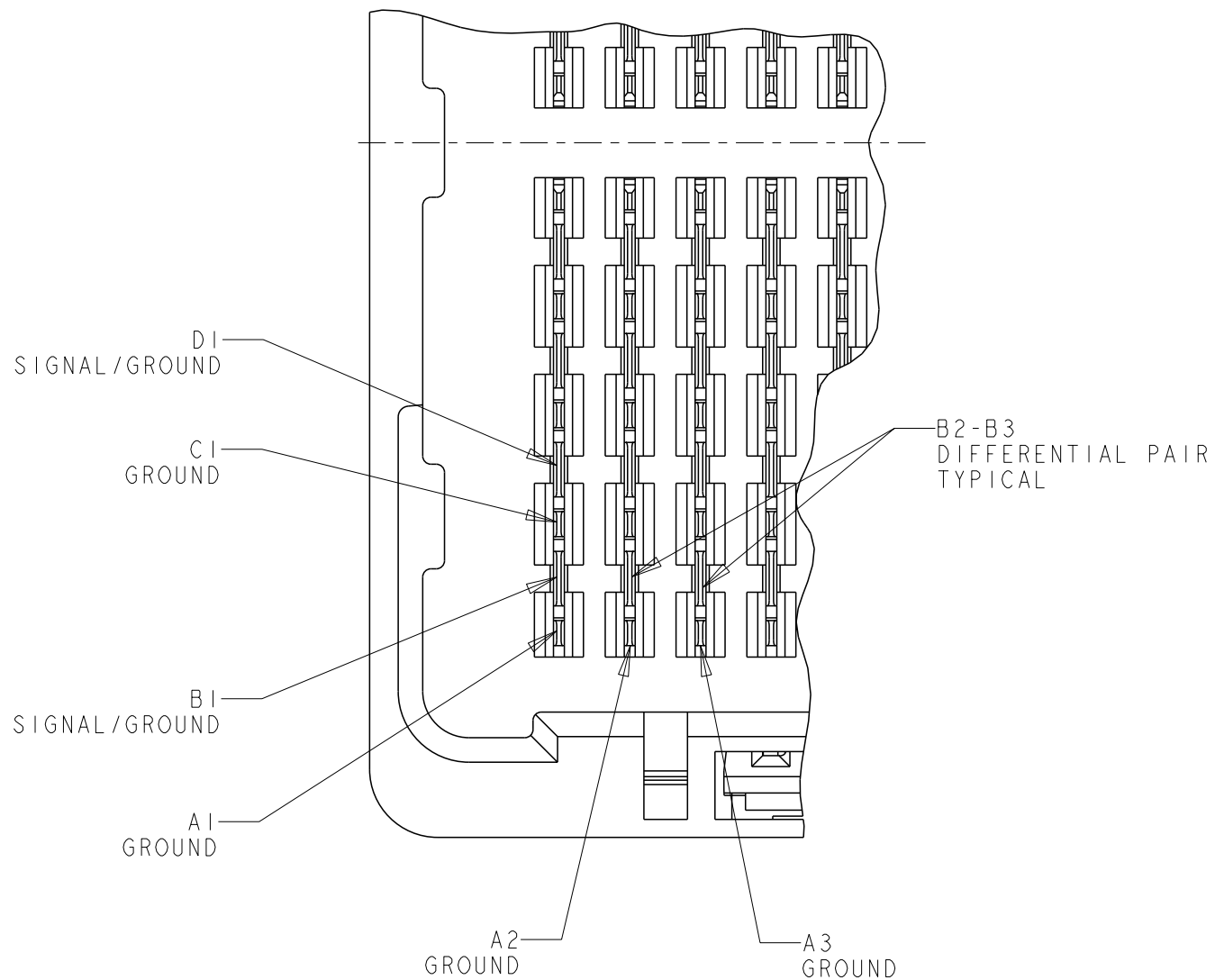
REVISIONS					
P	LTR	DESCRIPTION	DATE	DWN	APVD
-		SEE SHEET 1	-	-	-



SECTION B-B



VIEW 31
SELECT LOAD 104 POSITION
BOARD PATTERN
SCALE 3:2

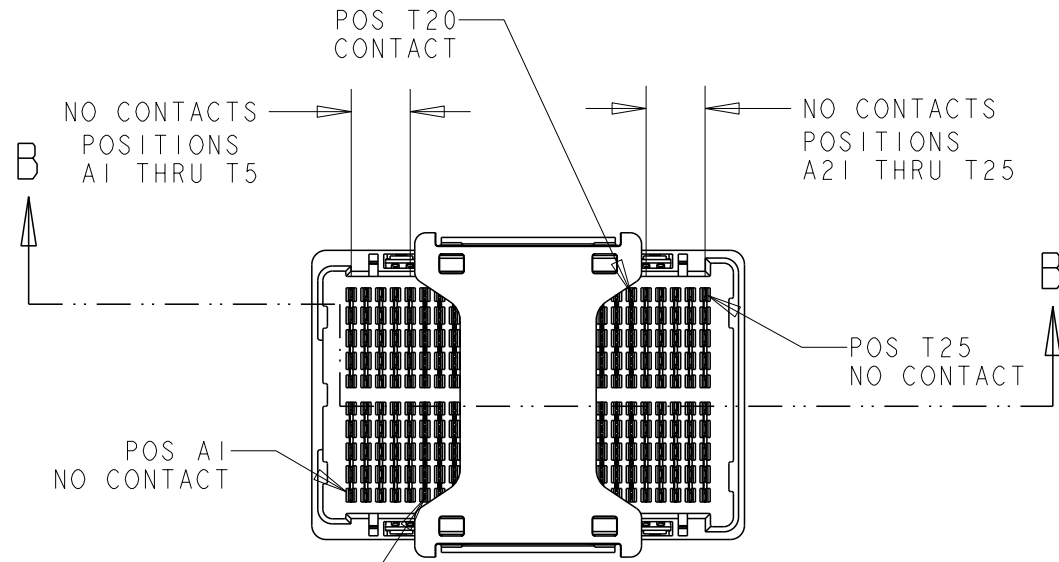


PLUG INTERFACE
SCALE 8:1

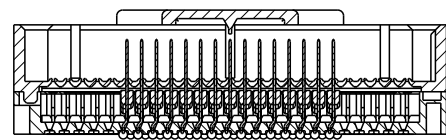
THIS DRAWING IS A CONTROLLED DOCUMENT.		DWN P BRANDBERG 17DEC04	 TE Connectivity		
DIMENSIONS: mm		CHK D WERTZ 05JAN05			
TOLERANCES UNLESS OTHERWISE SPECIFIED:		APVD D WERTZ 05JAN05	NAME STEP-Z, PLUG ASSEMBLY, 200 SIGNAL POSITION		
0 PLC ±- 1 PLC ±0.3 2 PLC ±0.10 3 PLC ±0.050 4 PLC ANGLES ±- ±2°		PRODUCT SPEC 108-2143	SIZE A3		
MATERIAL		APPLICATION SPEC 114-13101	CAGE CODE 300779	DRAWING NO C-1761614	RESTRICTED TO
FINISH		WEIGHT	SCALE 2:1		
		CUSTOMER DRAWING	SHEET 4 OF 5 REV A7		

printed on 27 Apr 2021 10:03 from FRO19828

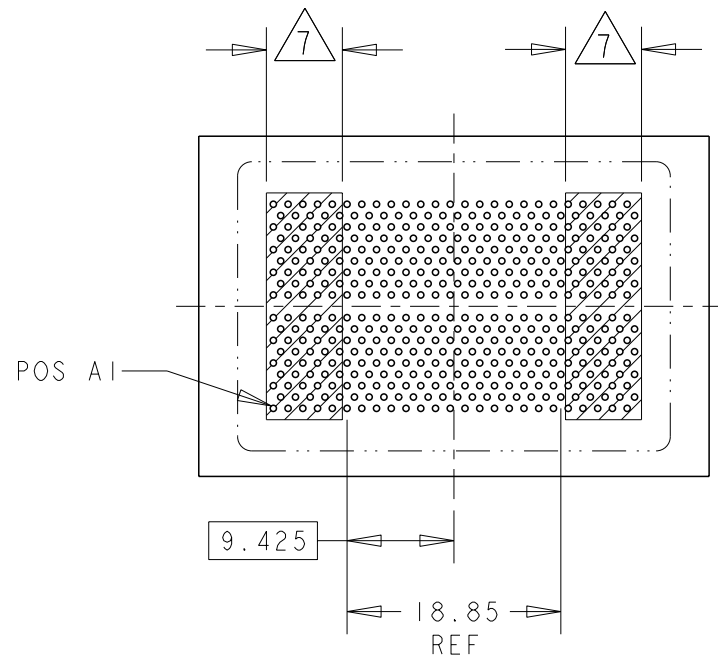
P	LTR	DESCRIPTION	DATE	DWN	APVD
-	-	SEE SHEET 1	-	-	-



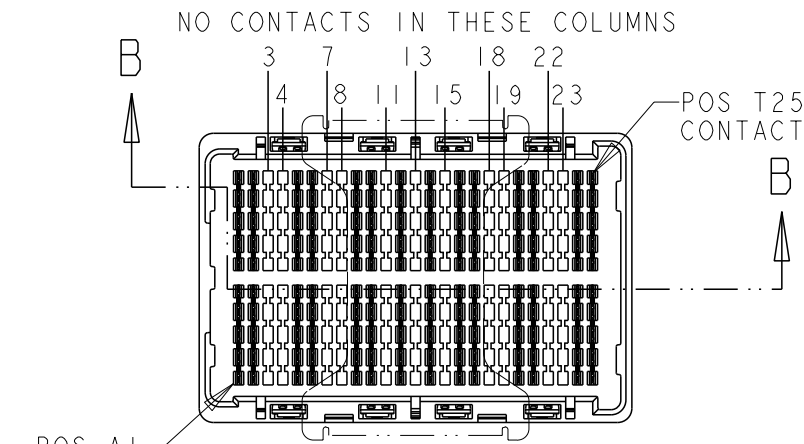
VIEW 34
SELECT LOAD 120 POSITION
SCALE 3:2



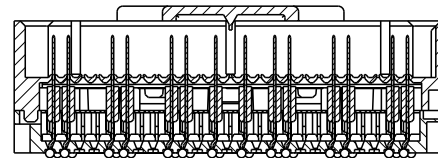
SECTION B-B



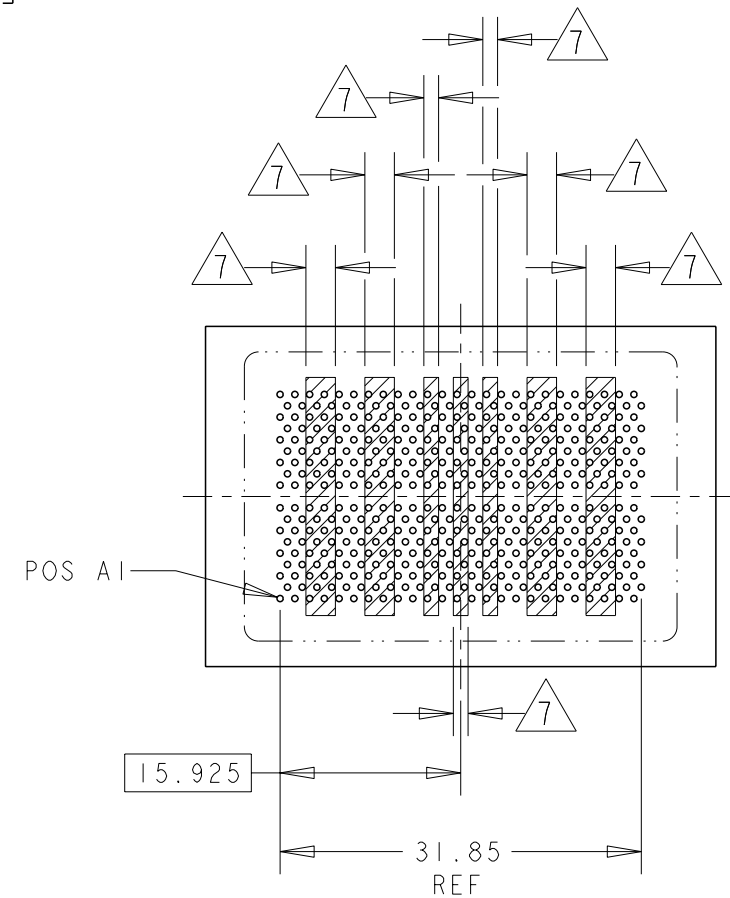
VIEW 34
SELECT LOAD 120 POSITION
BOARD PATTERN
SCALE 3:2



VIEW 35
SELECT LOAD 112 POSITION
SCALE 3:2



SECTION B-B



VIEW 35
SELECT LOAD 112 POSITION
BOARD PATTERN
SCALE 3:2

THIS DRAWING IS A CONTROLLED DOCUMENT.		DWN P BRANDBERG 17DEC04			
DIMENSIONS: mm		CHK D WERTZ 05JAN05			
TOLERANCES UNLESS OTHERWISE SPECIFIED:		APVD D WERTZ 05JAN05	NAME STEP-Z, PLUG ASSEMBLY, 200 SIGNAL POSITION		
<ul style="list-style-type: none"> 0 PLC ±- 1 PLC ±0.3 2 PLC ±0.10 3 PLC ±0.050 4 PLC ANGLES ±2° 		PRODUCT SPEC 108-2143	SIZE A300779		
MATERIAL		APPLICATION SPEC 114-13101	CAGE CODE C=1761614	DRAWING NO	
FINISH		WEIGHT	RESTRICTED TO		
-		CUSTOMER DRAWING	SCALE 2:1		SHEET 5 OF 5
			REV A7		

printed on 27 Apr 2021 10:03 from FRO19828

X-ON Electronics

Largest Supplier of Electrical and Electronic Components

Click to view similar products for [Board to Board & Mezzanine Connectors](#) category:

Click to view products by [TE Connectivity](#) manufacturer:

Other Similar products are found below :

[589158040000018](#) [MDF7C-18P-2.54DSA\(55\)](#) [FCN-230C068-11](#) [FCN-268F012-G/BD](#) [FCN-268F036-G/BD](#) [FCN-268M012-G/0D](#) [FCN-268M024-G/1D](#) [FCN-723J004/1](#) [MIS-048-01-F-D-DP-K](#) [832-10-034-10-001000](#) [FX4C-80S-1.27DSA](#) [FCN-214Q030-G/0](#) [FCN-234P048-G/0](#) [FCN-235D050-G/C](#) [210-93-314-41-105000](#) [2-22603-0](#) [MDF7-40DP-2.54DSA\(55\)](#) [AXG720047](#) [5031084030](#) [MIT-114-03-F-D-K](#) [55323-1519](#) [DF33-2P-3.3DSA\(24\)](#) [YFT-20-05-H-03-SB-K](#) [503308-3040](#) [026-6203-PDB](#) [027-6203-PDB](#) [069159702701000](#) [10123981-102LF](#) [101A10019X](#) [55650-0588-C](#) [68682-310LF](#) [68684-306](#) [75140-7012](#) [87471-650](#) [YTW-30-07-H-Q-410-140](#) [194261-1](#) [FCN-268F024-G0D](#) [10124054-515LF](#) [68685-603](#) [8-1616154-3](#) [MIS-019-01-F-D](#) [FCN-268M024-G/3D](#) [20021832-06016C1LF](#) [KX15-20KLDL-E1000E](#) [MDF7-16DP-2.54DSA\(55\)](#) [AXE810124](#) [FCN-214J100-G/0](#) [FCN-230C068-E/S](#) [AXE812124](#) [AXE816124](#)