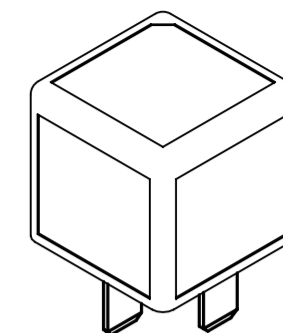
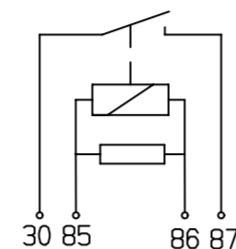


CIRCUIT DIAGRAM



Dustproof:  
 Protection class IP 54 acc. to IEC 529 (EN 60529)  
 All plug-terminals  
 Terminals shape similar to ISO 8092-1  
 Coil and Load Terminals 6.3 mm ± 0.1 mm x 0.8 mm ± 0.05 mm  
 Integrated component: Resistor 680 Ohm

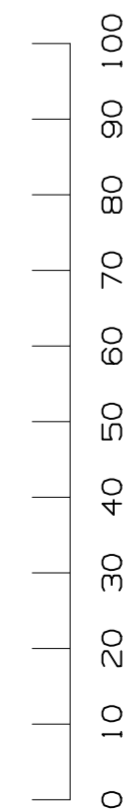
PART	MATERIAL	COLOUR
Cover	PA 66 GF 25	Black sim. to RAL 9005
Base	PA 66 GF 25	Black sim. to RAL 9005
Coil Terminals 85 and 86	CuSn	Pre-tinned Sn
Load Terminals 30 and 87	E-Cu	Pre-tinned Sn

Nominal Voltage: 12 V  
 Coil Resistance: 91 Ohm ± 10% at 23° C  
 Equivalent Resistance: 80,3 Ohm ± 10% at 23° C

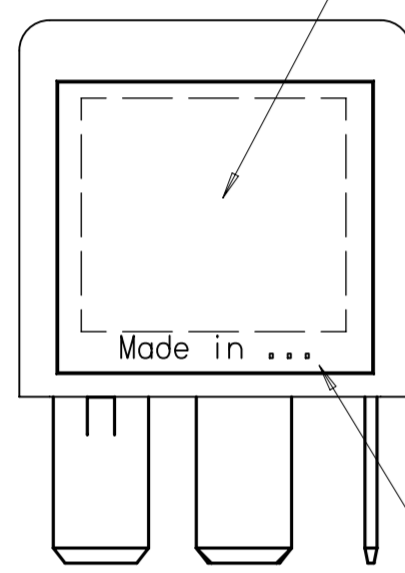
1) At Base level.

PART NUMBER	REV	TE PART NAME	COUNTRY OF ORIGIN
1-1414099-0	A	V23134B0052X270	Portugal
7-1904094-1	A		China

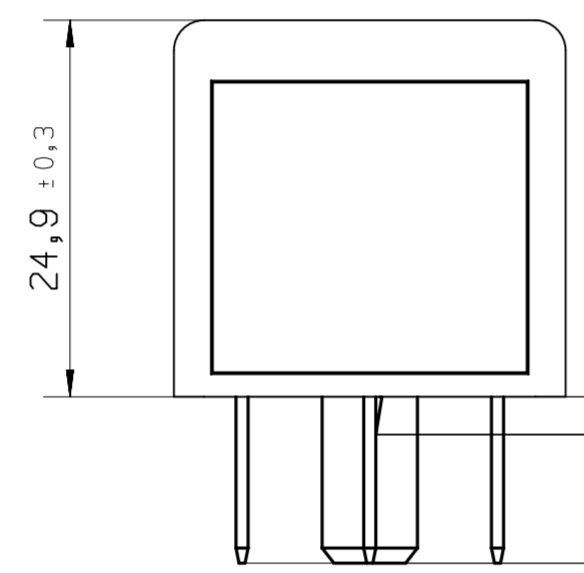
PROPRIETARY THE REPRODUCTION, TRANSMISSION OR USE OF THIS DOCUMENT OR IT'S CONTENTS IS NOT PERMITTED WITHOUT EXPRESSED WRITTEN AUTHORITY. OFFENDERS WILL BE LIABLE FOR ALL DAMAGES. ALL RIGHTS, INCLUDING RIGHTS CREATED BY REGISTERED PATENT(S) GRANTED FOR A UTILITY MODEL OR DESIGN, ARE RESERVED.		CHANGES TO THIS DRAWING MUST BE DONE ONLY IN CAD	PAPER SIZE <b>A2</b>
APPLICABLE SPEC.:		FINISH	
DIMENSIONS APPLY		PLATING	
TOLERANCE UNLESS SPECIFIED OTHERWISE		SCALE <b>1:1; 2:1</b>	WEIGHT
DIMENSIONS IN MM		MATERIAL	
DATE NAME DWN. 07FEB2013 L.Sandoval		PART NAME <b>POWER F Relay Normally Open</b>	
APP.		DWG NO. <b>C- V23134-B0052-X270</b>	
ECN-22-140797 24FEB2022 L.Sand REV.		SHT. <b>1</b> OF <b>1</b>	
ECO-15-016858 23NOV2015 L.Sand LOCATION PE Evora		CUSTOMER DRAWING	
ECO-14-015632 14OCT2014 L.Sand			
ECR-14-010119 04JUL2014 L.Sand			
Initial Release 07FEB2013 L.Sand			
REV. CHANGE ORDER DATE APP.			



Circuit Diagram



Country of Origin

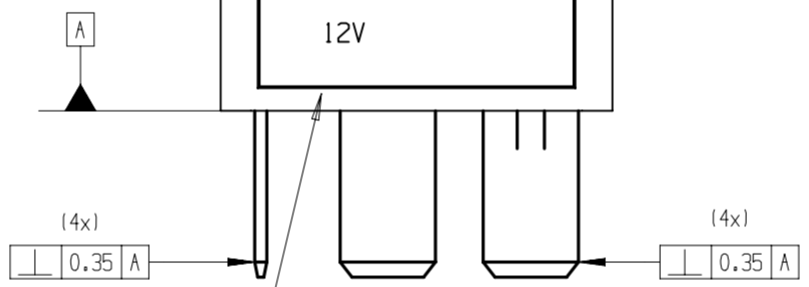


Latching Tab Area

8,5 min.

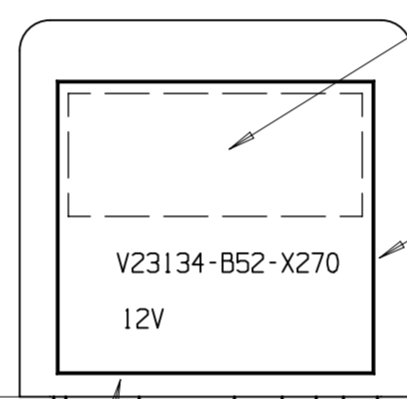
11 ± 0,5

Nominal Voltage

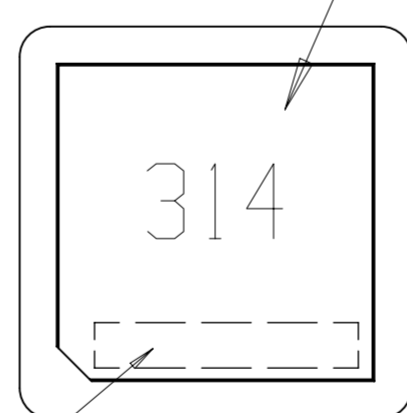


TE Logo

TE Part Name



Relay Identification's Number



Date Code



## X-ON Electronics

Largest Supplier of Electrical and Electronic Components

*Click to view similar products for [Automotive Relays](#) category:*

*Click to view products by [TE Connectivity](#) manufacturer:*

Other Similar products are found below :

[7-1414968-8](#) [7-1617345-6](#) [9-1617516-5](#) [1393204-2](#) [1393302-3](#) [1432872-1](#) [AR4-15F11-S01](#) [AR4-15H11](#) [1617518-5](#) [2-1617057-2](#) [CB1F-M-12V-H15](#) [898H-1AH-D-001-12VDC](#) [AR4-11F11](#) [AR4-15F11](#) [AR4-41F11](#) [41FZ-200ACG-BSL](#) [5-1616920-2](#) [5407-0011-HS](#) [CB1AF-M-12V-H59](#) [5-1617346-8](#) [1-1617059-9](#) [V23134A1052X299](#) [6-1393298-2](#) [6-1393302-1](#) [897H-1AH-D-R1-U01-12VDC](#) [871-1A-S-12VDC](#) [V23086-R1851-A502](#) [RE031005](#) [1393204-1](#) [AZ9731-1C-12DC4](#) [AZ979-1A-24D](#) [V23086R1802A803](#) [V23134A 53C643](#) [1-1393387-8](#) [HFKC/012-2ZST](#) [HFV4/012-1H4SGR](#) [JQC-3FF-M/012-1ZS\(555\)](#) [NVFMCS20DC12V1.5aR](#) [NVF4-1AZ40a1DC12V1.6](#) [2-1393302-3](#) [7-1904094-1](#) [8-1393292-9](#) [2383365-1](#) [ACJ1112J](#) [1-1414632-0](#) [V23134J2053X194](#) [VF7-11F11-S01](#) [LD-12P](#) [FBR56ND12-W1](#)  
[FBR572ND24-W](#)