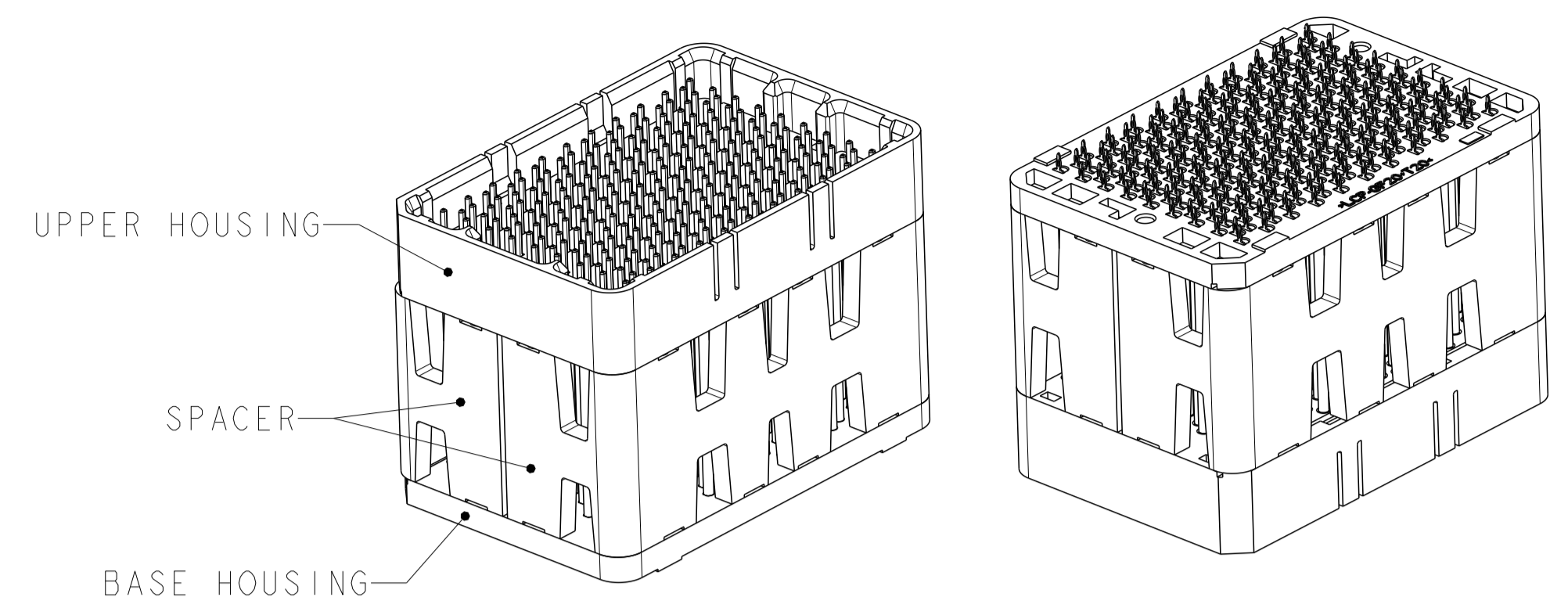
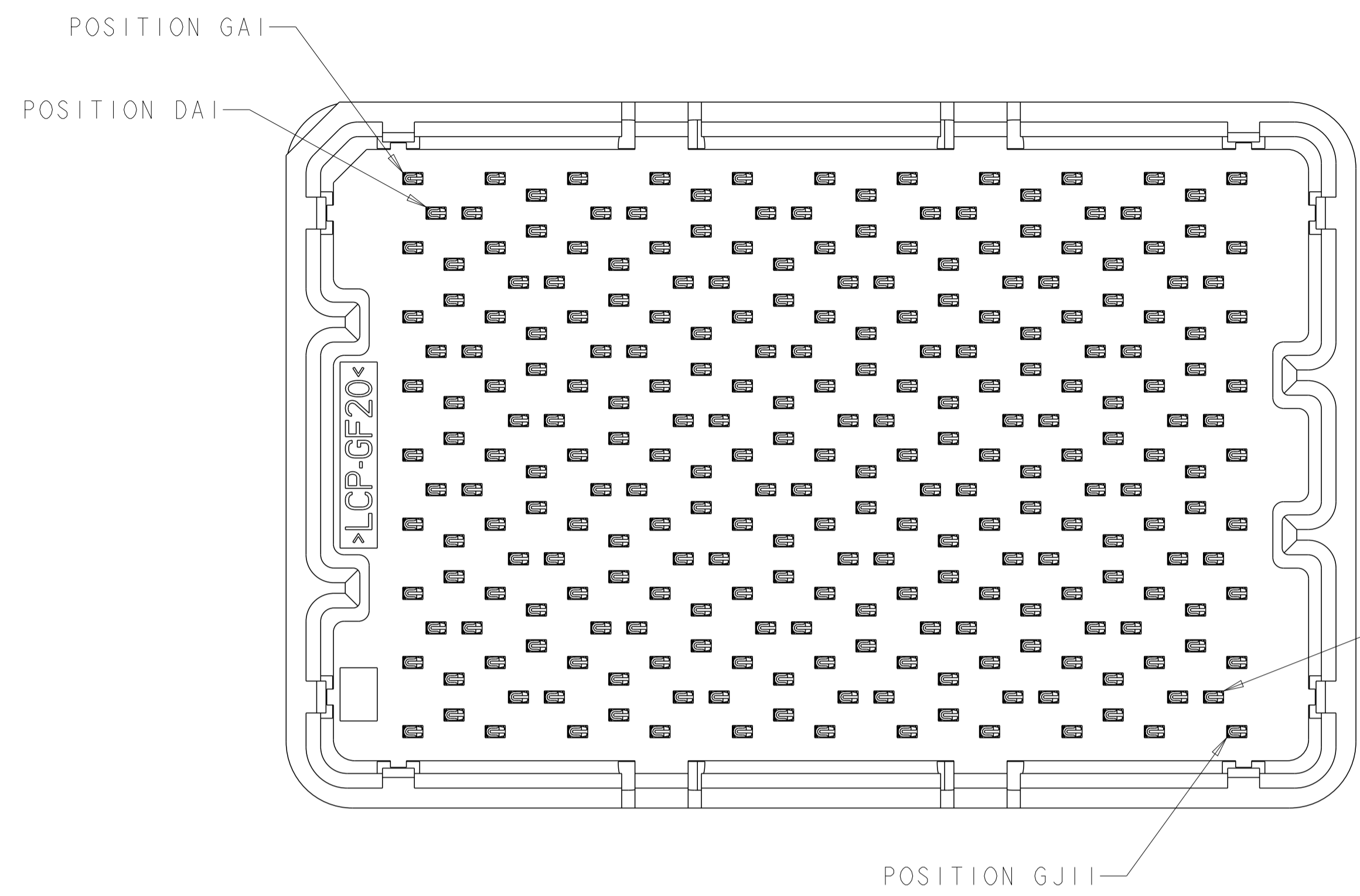
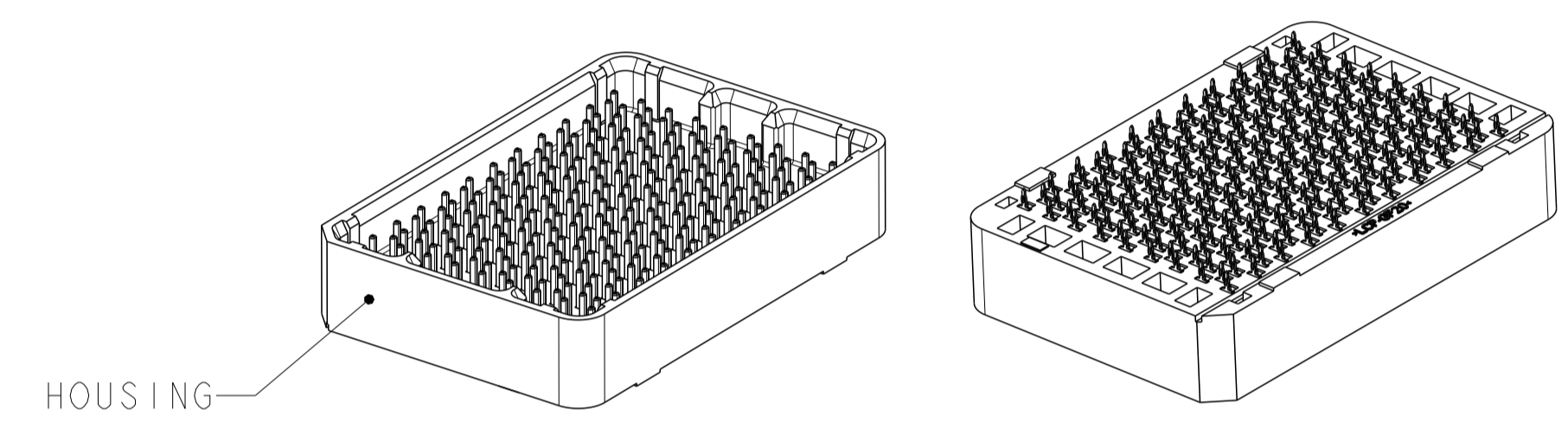


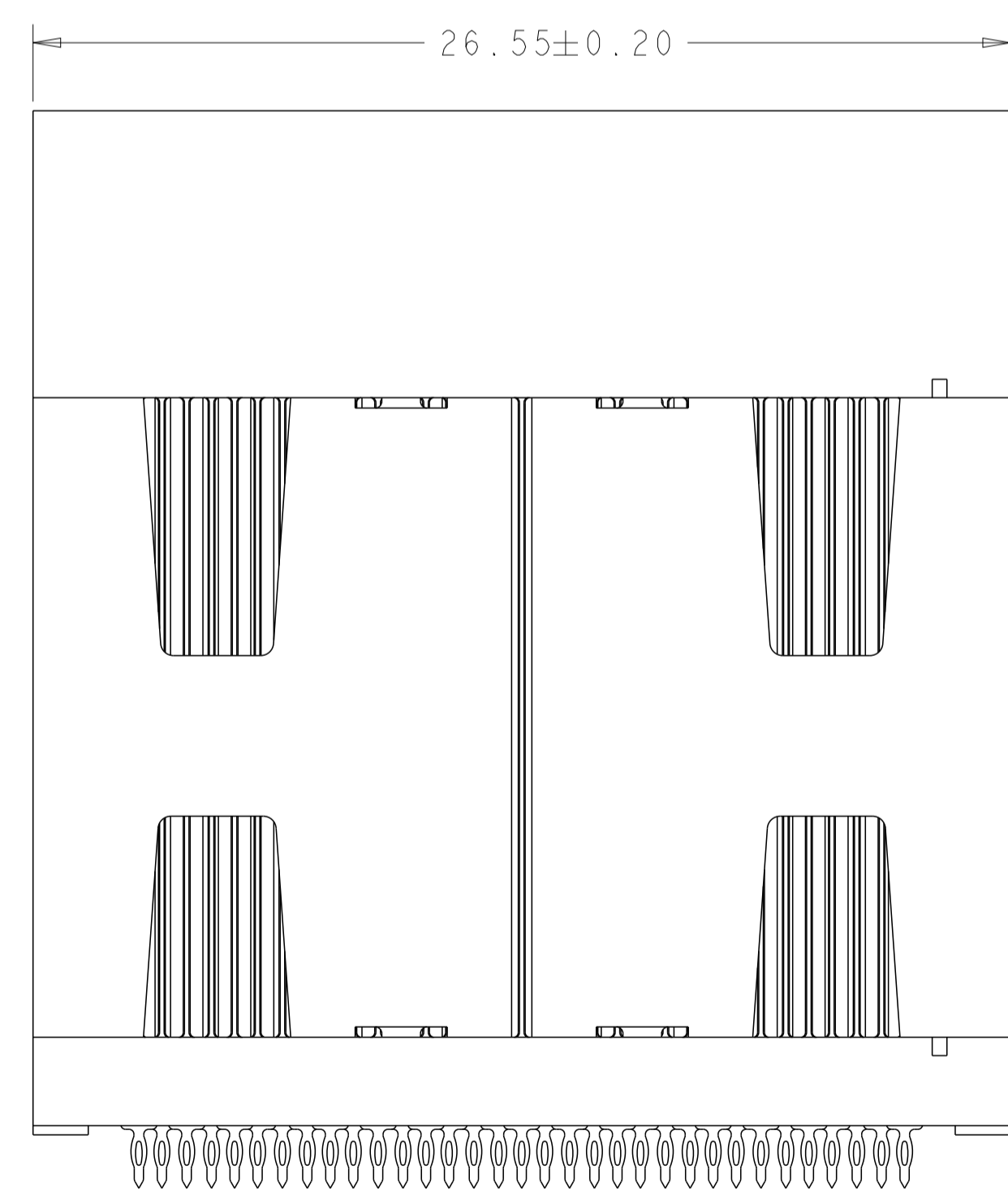
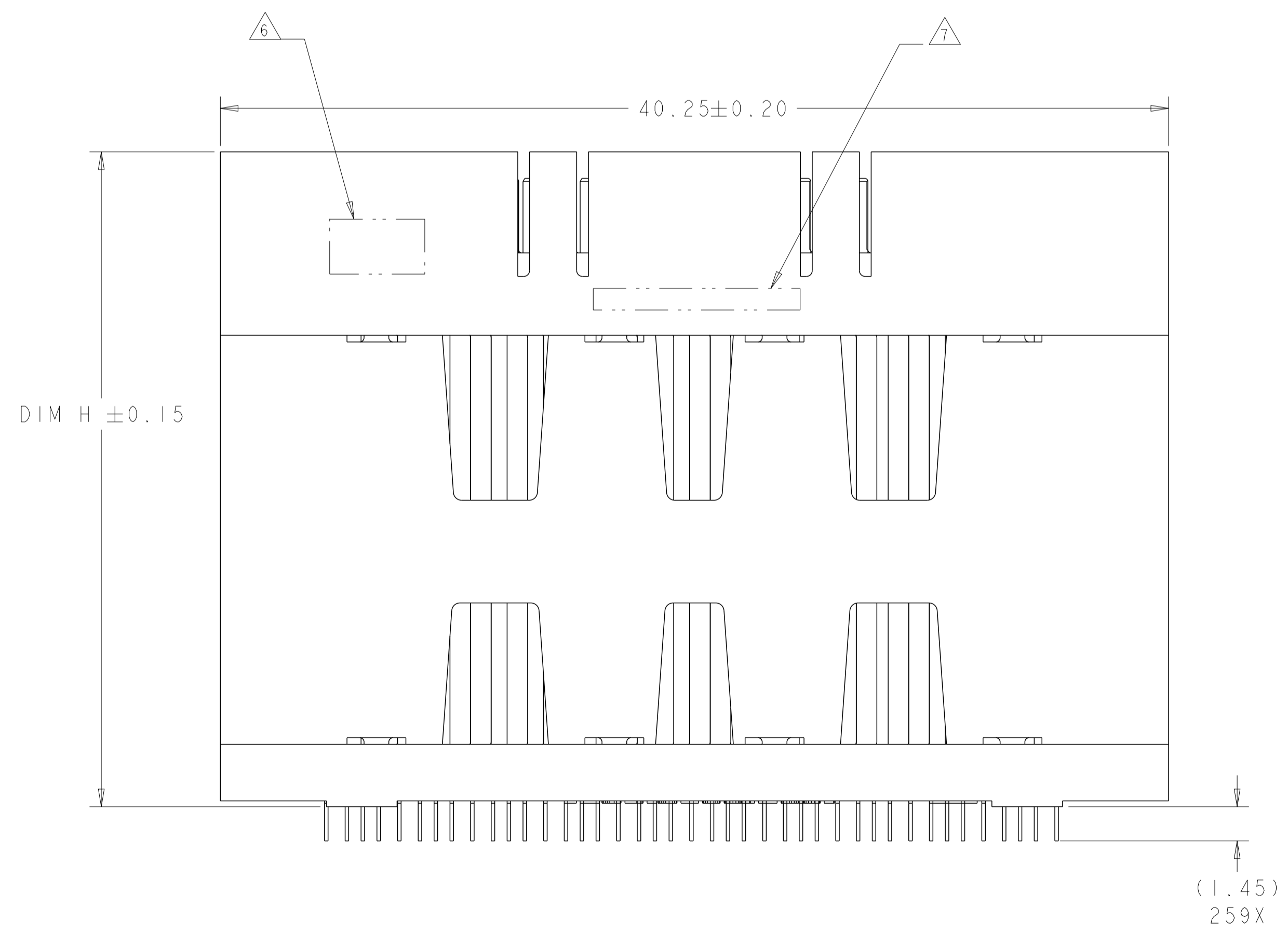
LOC	DIST	REVISIONS					
GP	00	P	LTN	DESCRIPTION	DATE	DWN	APVD
		A		REVISED PER ECO-12-018201	11OCT2012	KH	MH



ISOMETRIC VIEW
 TYPICAL CONFIGURATION FOR 14mm THRU 42mm
 28mm SHOWN
 SCALE 2:1



ISOMETRIC VIEW
 TYPICAL CONFIGURATION FOR 8mm THRU 13mm
 8mm SHOWN
 SCALE 2:1



- 1 MATERIAL:
 BASE HOUSING, UPPER HOUSING, ORGANIZER,
 AND SPACER: THERMOPLASTIC, FLAMMABILITY
 RATING UL94-V0
 CONTACT: COPPER ALLOY
- 2 CONTACT PLATING: 0.076µm MIN GOLD OVER 0.69µm
 MIN PALLADIUM NICKEL, OVER 2.54-5.08µm NICKEL
 ON MATING AREA. 0.50-2.54µm 93/7 TIN-LEAD,
 OVER 1.27-5.08µm NICKEL ON TAIL AREA.
 PORE BLOCKER APPLIED TO MATING AREA.
- 3 CONTACT PLATING: 0.076µm MIN GOLD OVER 0.69µm
 MIN PALLADIUM NICKEL, OVER 2.54-5.08µm NICKEL
 ON MATING AREA. 0.50-2.54µm MATTE TIN,
 OVER 1.27-5.08µm NICKEL ON TAIL AREA.
 PORE BLOCKER APPLIED TO MATING AREA.
- 4 ROWS GA THRU GJ (SHOWN DARKENED) ARE TYPICALLY
 USED AS GROUNDS.
- 5 SPECIFIED POSITIONAL TOLERANCE DEFINES HOLE TO
 HOLE LOCATION WITHIN HOLE PATTERN. POSITIONAL
 TOLERANCE OF HOLE PATTERN TO FIDUCIAL MARKS
 OR PCB DATUMS SHALL BE DEFINED BY CUSTOMER.
- 6 AREA RESERVED FOR TE CONNECTIVITY LOGO.
- 7 AREA RESERVED FOR PART NUMBER (X-XXXXXX-X)
 AND DATE CODE (YYWW).
- 8 USE CENTERLINES INDICATED ON PCB HOLE PATTERN
 TO ESTABLISH ALIGNMENT BETWEEN HEADER AND
 RECEPTACLE BOARDS.
- 9 PLATED THROUGH HOLE REQUIREMENTS:
 HOLE SIZE PRIOR TO PLATING = $\varnothing 0.420 \pm 0.013$
 COPPER PLATING THICKNESS = 0.038 ± 0.013
 CALCULATED FINISHED HOLE SIZE = $\varnothing 0.344 \pm 0.039$
 THESE DIMENSIONS APPLY TO THE TOP 1.25mm OF
 THE PCB THICKNESS FROM THE CONNECTOR MOUNTING
 SIDE.
- 10 CONTACT SALES FOR AVAILABILITY OF THIS STACK
 HEIGHT.

SIZE 2 HOUSING *
80 DIFFERENTIAL PAIRS
259 TOTAL SIGNAL CONTACTS

* SIZE 1 AND SIZE 3 ARE ALSO AVAILABLE

THIS DRAWING IS A CONTROLLED DOCUMENT.		DWN D. RINGLER 29AUG2008	TE Connectivity												
DIMENSIONS:		CHK D. TROUT 29AUG2008													
mm	TOLERANCES UNLESS OTHERWISE SPECIFIED:	APVD J. EDDER 29AUG2008	NAME HEADER ASSEMBLY 80/259 SIGNAL STRADA MESA MEZZANINE CONNECTOR												
<table border="1"> <tr><td>0 PLC</td><td>±</td></tr> <tr><td>2 PLC</td><td>±0.13</td></tr> <tr><td>3 PLC</td><td>±0.013</td></tr> <tr><td>4 PLC</td><td>±</td></tr> </table>	0 PLC	±	2 PLC	±0.13	3 PLC	±0.013	4 PLC	±	<table border="1"> <tr><td>ANGLES</td><td>±1</td></tr> <tr><td>FINISH</td><td></td></tr> </table>	ANGLES	±1	FINISH		PRODUCT SPEC 108-2375 APPLICATION SPEC 114-13249 WEIGHT SCALE 6:1 SHEET 1 OF 4 REV A	RESTRICTED TO A100779C=2057360
0 PLC	±														
2 PLC	±0.13														
3 PLC	±0.013														
4 PLC	±														
ANGLES	±1														
FINISH															
MATERIAL		Customer Drawing													

THIS DRAWING IS UNPUBLISHED. RELEASED FOR PUBLICATION 20
 © COPYRIGHT 20 BY - ALL RIGHTS RESERVED.

LOC	DIST	REVISIONS					
GP	00	P	LYN	DESCRIPTION	DATE	OWN	APVD
		-		SEE SHEET 1			

△3	△10	41.8	42mm	MATTE Sn	9-2057360-2
△3	△10	40.8	41mm	MATTE Sn	9-2057360-1
△3	YES	39.8	40mm	MATTE Sn	9-2057360-0
△3	△10	38.8	39mm	MATTE Sn	8-2057360-9
△3	△10	37.8	38mm	MATTE Sn	8-2057360-8
△3	△10	36.8	37mm	MATTE Sn	8-2057360-7
△3	△10	35.8	36mm	MATTE Sn	8-2057360-6
△3	△10	34.8	35mm	MATTE Sn	8-2057360-5
△3	△10	33.8	34mm	MATTE Sn	8-2057360-4
△3	△10	32.8	33mm	MATTE Sn	8-2057360-3
△3	△10	31.8	32mm	MATTE Sn	8-2057360-2
△3	△10	30.8	31mm	MATTE Sn	8-2057360-1
△3	△10	29.8	30mm	MATTE Sn	8-2057360-0
△3	△10	28.8	29mm	MATTE Sn	7-2057360-9
△3	YES	27.8	28mm	MATTE Sn	7-2057360-8
△3	△10	26.8	27mm	MATTE Sn	7-2057360-7
△3	△10	25.8	26mm	MATTE Sn	7-2057360-6
△3	△10	24.8	25mm	MATTE Sn	7-2057360-5
△3	△10	23.8	24mm	MATTE Sn	7-2057360-4
△3	YES	22.8	23mm	MATTE Sn	7-2057360-3
△3	△10	21.8	22mm	MATTE Sn	7-2057360-2
△3	△10	20.8	21mm	MATTE Sn	7-2057360-1
△3	△10	19.8	20mm	MATTE Sn	7-2057360-0
△3	△10	18.8	19mm	MATTE Sn	6-2057360-9
△3	△10	17.8	18mm	MATTE Sn	6-2057360-8
△3	△10	16.8	17mm	MATTE Sn	6-2057360-7
△3	△10	15.8	16mm	MATTE Sn	6-2057360-6
△3	△10	14.8	15mm	MATTE Sn	6-2057360-5
△3	△10	13.8	14mm	MATTE Sn	6-2057360-4
△3	△10	12.8	13mm	MATTE Sn	6-2057360-3
△3	△10	11.8	12mm	MATTE Sn	6-2057360-2
△3	△10	10.8	11mm	MATTE Sn	6-2057360-1
△3	△10	9.8	10mm	MATTE Sn	6-2057360-0
△3	YES	8.8	9mm	MATTE Sn	5-2057360-9
△3	△10	7.8	8mm	MATTE Sn	5-2057360-8
FINISH	TOOLED	DIM H	STACK HEIGHT	CONTACT TAIL PLATING	PART NUMBER

△2	△10	41.8	42mm	Sn/Pb	4-2057360-2
△2	△10	40.8	41mm	Sn/Pb	4-2057360-1
△2	YES	39.8	40mm	Sn/Pb	4-2057360-0
△2	△10	38.8	39mm	Sn/Pb	3-2057360-9
△2	△10	37.8	38mm	Sn/Pb	3-2057360-8
△2	△10	36.8	37mm	Sn/Pb	3-2057360-7
△2	△10	35.8	36mm	Sn/Pb	3-2057360-6
△2	△10	34.8	35mm	Sn/Pb	3-2057360-5
△2	△10	33.8	34mm	Sn/Pb	3-2057360-4
△2	△10	32.8	33mm	Sn/Pb	3-2057360-3
△2	△10	31.8	32mm	Sn/Pb	3-2057360-2
△2	△10	30.8	31mm	Sn/Pb	3-2057360-1
△2	△10	29.8	30mm	Sn/Pb	3-2057360-0
△2	△10	28.8	29mm	Sn/Pb	2-2057360-9
△2	YES	27.8	28mm	Sn/Pb	2-2057360-8
△2	△10	26.8	27mm	Sn/Pb	2-2057360-7
△2	△10	25.8	26mm	Sn/Pb	2-2057360-6
△2	△10	24.8	25mm	Sn/Pb	2-2057360-5
△2	△10	23.8	24mm	Sn/Pb	2-2057360-4
△2	YES	22.8	23mm	Sn/Pb	2-2057360-3
△2	△10	21.8	22mm	Sn/Pb	2-2057360-2
△2	△10	20.8	21mm	Sn/Pb	2-2057360-1
△2	△10	19.8	20mm	Sn/Pb	2-2057360-0
△2	△10	18.8	19mm	Sn/Pb	1-2057360-9
△2	△10	17.8	18mm	Sn/Pb	1-2057360-8
△2	△10	16.8	17mm	Sn/Pb	1-2057360-7
△2	△10	15.8	16mm	Sn/Pb	1-2057360-6
△2	△10	14.8	15mm	Sn/Pb	1-2057360-5
△2	△10	13.8	14mm	Sn/Pb	1-2057360-4
△2	△10	12.8	13mm	Sn/Pb	1-2057360-3
△2	△10	11.8	12mm	Sn/Pb	1-2057360-2
△2	△10	10.8	11mm	Sn/Pb	1-2057360-1
△2	△10	9.8	10mm	Sn/Pb	1-2057360-0
△2	YES	8.8	9mm	Sn/Pb	2057360-9
△2	△10	7.8	8mm	Sn/Pb	2057360-8
FINISH	TOOLED	DIM H	STACK HEIGHT	CONTACT TAIL PLATING	PART NUMBER

THIS DRAWING IS A CONTROLLED DOCUMENT.

DWN: D. RINGLER 29AUG2008
 CHK: D. TROUT 29AUG2008
 APVD: J. FEDDER 29AUG2008

STE TE Connectivity
 NAME: HEADER ASSEMBLY
 80/259 SIGNAL
 STRADA MESA MEZZANINE CONNECTOR

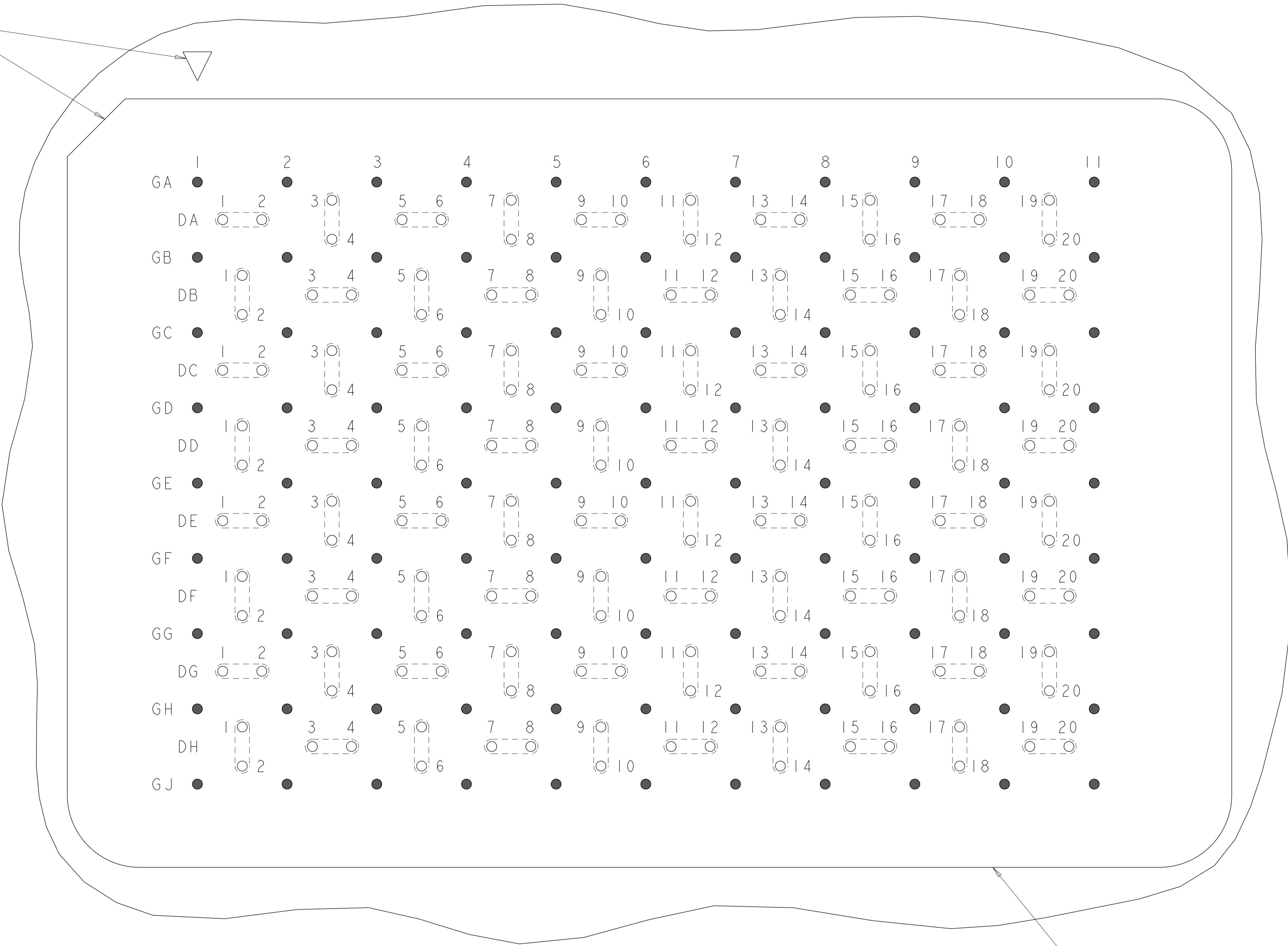
DIMENSIONS: mm
 TOLERANCES UNLESS OTHERWISE SPECIFIED:
 0 PLC ±.
 1 PLC ±0.13
 2 PLC ±0.013
 3 PLC ±.
 4 PLC ±.
 ANGLES ±1
 FINISH ±.

MATERIAL: .
 WEIGHT: .
 SCALE: 6:1
 SHEET 2 OF 4
 REV A

SIZE: A1
 CAGE CODE: 114-13249
 DRAWING NO: 100779
 CUSTOMER DRAWING: ©=2057360


LOC	DIST	REVISIONS			
P	LTN	DESCRIPTION	DATE	DWN	APVD
GP	00	SEE SHEET 1			

A1 CORNER INDICATORS.

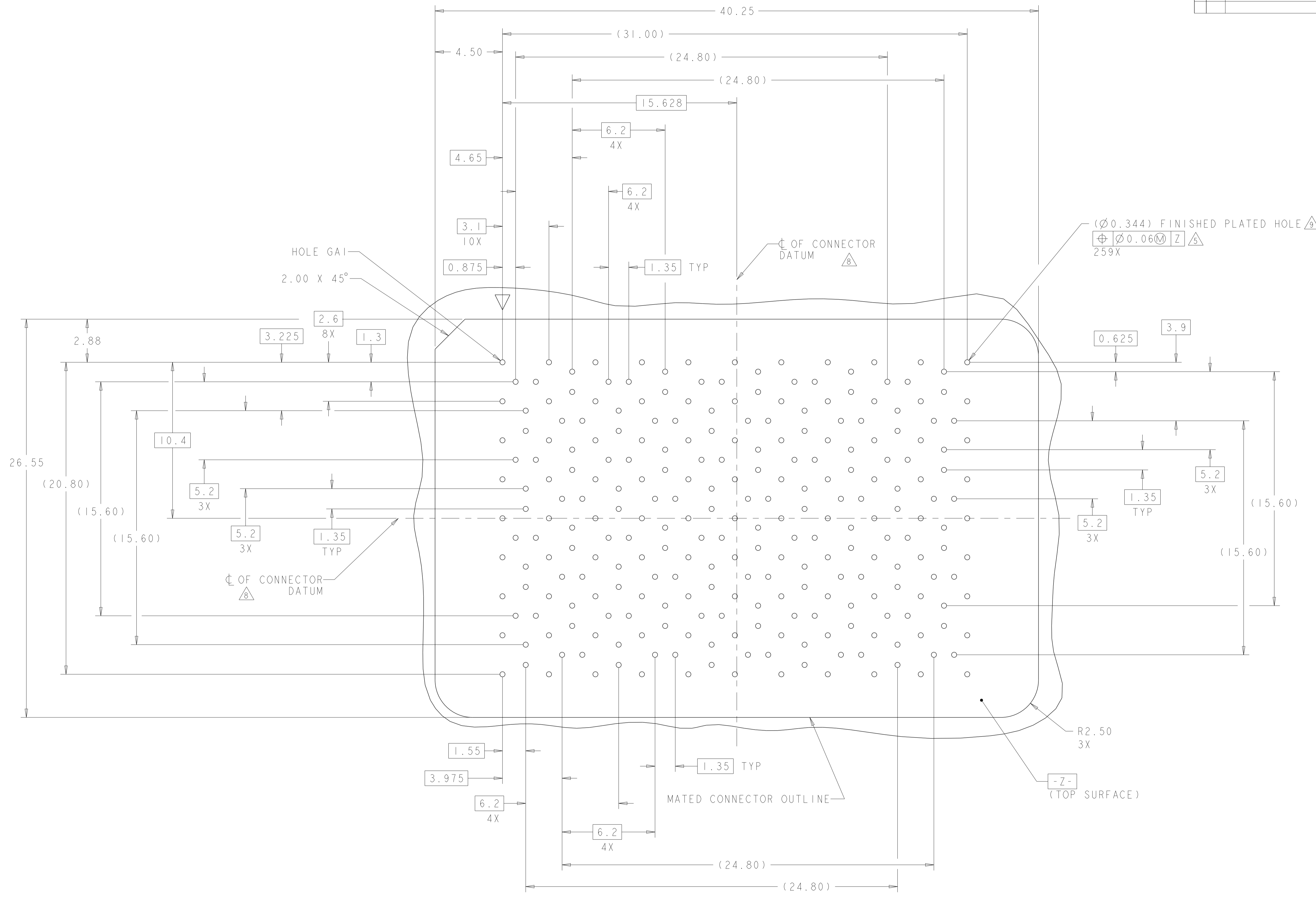


PCB LAYOUT AND PIN IDENTIFICATION 
 SHOWN FROM CONNECTOR SIDE
 SCALE 12:1

MATED CONNECTOR OUTLINE
 SEE SHEET 4 FOR LOCATION TO HOLES

THIS DRAWING IS A CONTROLLED DOCUMENT.		DWN D. RINGLER 29AUG2008	 TE Connectivity
DIMENSIONS: mm		CHK D. TROUT 29AUG2008	
TOLERANCES UNLESS OTHERWISE SPECIFIED: 0 PLC ± 1 PLC ±0.13 2 PLC ±0.13 3 PLC ±0.13 4 PLC ± ANGLES ±1		APVD J. FEDDER 29AUG2008	NAME HEADER ASSEMBLY 80/259 SIGNAL STRADA MESA MEZZANINE CONNECTOR
MATERIAL		PRODUCT SPEC 108-2375	RESTRICTED TO
		APPLICATION SPEC 114-13249	SIZE A100779
		FINISH	DRAWING NO C=2057360
		WEIGHT	SCALE 6:1
		Customer Drawing	SHEET 3 OF 4 REV A

LOC	DIST	REVISIONS					
GP	00	P	LYR	DESCRIPTION	DATE	OWN	APVD
-	-	-	-	SEE SHEET 1	-	-	-



PCB HOLE PATTERN
 SHOWN FROM CONNECTOR SIDE
 SCALE 8:1

THIS DRAWING IS A CONTROLLED DOCUMENT.		OWN: D. RINGLER 29AUG2008	 TE Connectivity
DIMENSIONS: mm		CHK: D. TROUT 29AUG2008	
TOLERANCES UNLESS OTHERWISE SPECIFIED: 0 PLC ± 1 PLC ±0.13 2 PLC ±0.13 3 PLC ±0.13 4 PLC ±0.13 ANGLES ±1		APVD: J. FEDDER 29AUG2008	
MATERIAL: -		FINISH: -	
NAME: HEADER ASSEMBLY 80/259 SIGNAL STRADA MESA MEZZANINE CONNECTOR		PRODUCT SPEC: 108-2375	RESTRICTED TO: -
APPLICATION SPEC: 114-13249		SIZE: A100779	SCALE: 6:1
WEIGHT: -		CAGE CODE: 2057360	SHEET: 4 OF 4
Customer Drawing		REV: A	REV: A

X-ON Electronics

Largest Supplier of Electrical and Electronic Components

Click to view similar products for [High Speed/Modular Connectors](#) category:

Click to view products by [TE Connectivity](#) manufacturer:

Other Similar products are found below :

[650827-1](#) [74040-1346](#) [1410191-1](#) [1410368-3](#) [1410964-2](#) [1410326-3](#) [1410367-3](#) [1410971-4](#) [1467833-1](#) [2000877-1](#) [2000878-1](#) [2041314-1](#)
[2065387-1](#) [2187307-1](#) [163P](#) [1934290-1](#) [2000875-1](#) [2065917-1](#) [2102736-2](#) [FSR-40](#) [2169868-2](#) [22354-8](#) [437-5040-000](#) [5-1393565-0](#) [039-](#)
[0246-000](#) [0740618502](#) [0761601016](#) [0784461022](#) [10123159-12ELF](#) [030-2415-003/100 PK](#) [030-7380-004](#) [030-2494-001](#) [532939-1](#) [5532901-](#)
[3](#) [3-1469268-7](#) [74748-102LF](#) [10041743-101LF](#) [10066670-100002LF](#) [1-533915-1](#) [249-4515-000](#) [7-1469373-3](#) [DL2-2J/S](#) [2000713-8](#)
[2000713-7](#) [10124313-101LF](#) [3011-21](#) [757105208](#) [430305-001](#) [4395800100](#) [8140115](#)