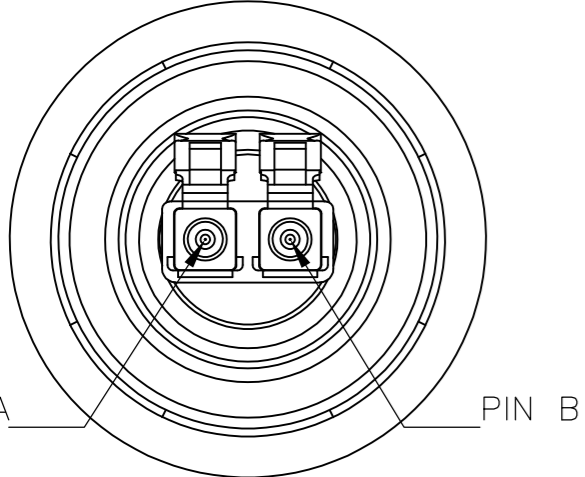
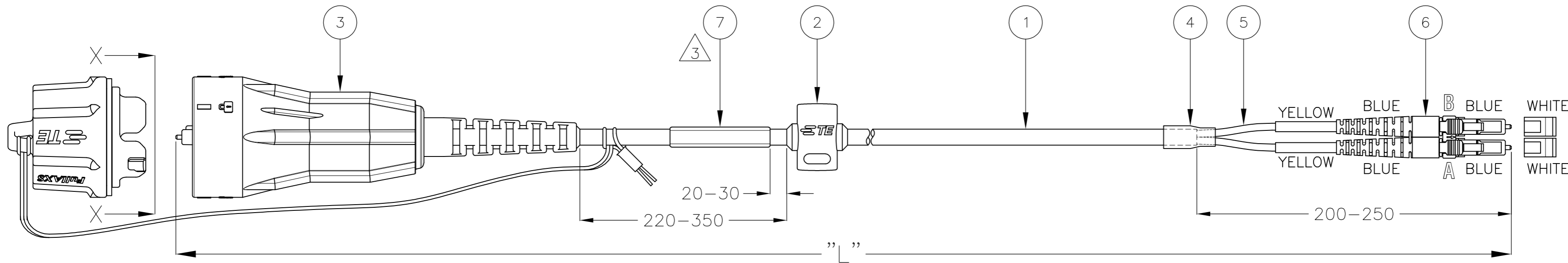


THIS DRAWING IS UNPUBLISHED. RELEASED FOR PUBLICATION
 © COPYRIGHT - By - ALL RIGHTS RESERVED.

LOC	DIST	REVISIONS			
P	LTR	DESCRIPTION	DATE	DWN	APVD
H	-	A	INITIAL RELEASE	14MAY2014	RC SB



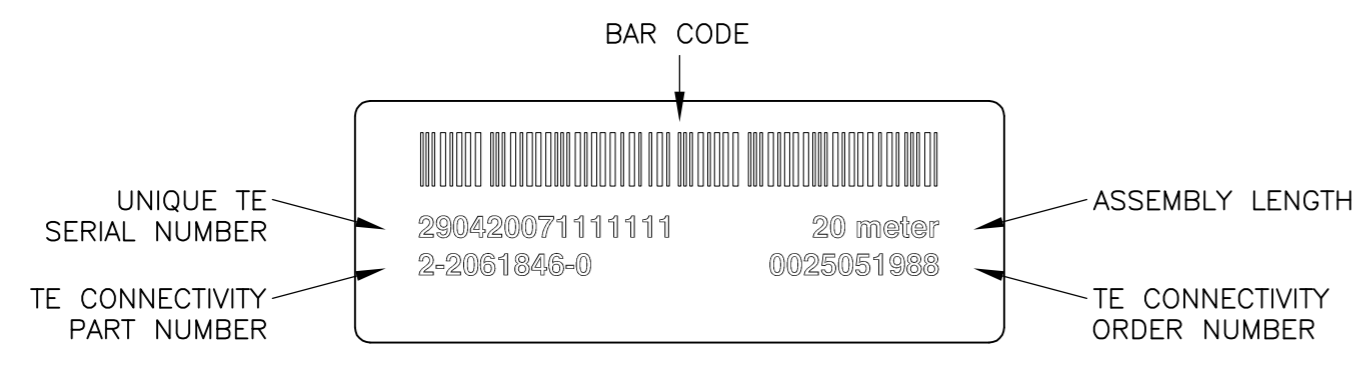
ASSEMBLY CONNECTIVITY	
FULLAXS LC	LC CONN.
PIN A	B
PIN B	A

NOTES:

- 1 MAX. CONNECTOR ATTENUATION 0.3 dB, MEASURED AT 1310 nm AND 1550 nm ACCORDING TO I.E.C. 61300-3-4 INSERTION METHOD B
- 2 MIN. RETURN LOSS 45 dB, IN MATED CONDITION AGAINST REFERENCE CONNECTOR AT 1310 nm AND 1550 nm
- 3 INFORMATION ON LABEL, SEE DETAIL FOR EXAMPLE
 - BARCODE
 - UNIQUE TE SERIAL NUMBER
 - ASSEMBLY LENGTH
 - TE CONNECTIVITY PART NUMBER & ORDER NUMBER
- 4 CABLE INFORMATION:
 - CORE DIAMETER: 9/125 μm (2x)
 - OUTER JACKET DIAMETER: 4.8 mm
 - OUTER JACKET COLOUR: BLACK
 - OUTER JACKET MATERIAL: HALOGEN FREE FLAME RETARDANT
 - CABLE ATTENUATION: 0.40 dB/km @ 1310 nm OR 0.25 dB/km @ 1550 nm

STANDARD LENGTHS ACCORDING TO CUSTOMER DRAWING 1206850	
PART NUMBER	"L" (meter)
X-2061846-Y	XY.0
9-2061846-9	100.0 -0/+3.0
9-2061846-8	150.0 -0/+3.0
9-2061846-7	200.0 -0/+3.0
9-2061846-6	250.0 -0/+3.0
9-2061846-5	300.0 -0/+3.0
9-2061846-4	350.0 -0/+3.0
9-2061846-3	400.0 -0/+3.0
9-2061846-2	450.0 -0/+3.0
9-2061846-1	500.0 -0/+3.0

3 LABEL DETAIL:



Qty	Description	Item
1	INFORMATION LABEL	7
1	LC DUPLEX CONNECTOR, SINGLE MODE, BLUE	6
2	PROTECTIVE TUBING, BLACK	5
1	HEAT SHRINK TUBING, BLACK	4
1	FULLAXS OVERMOLDED LC DUPLEX PLUG ASSEMBLY, SM, BLACK	3
1	FULLAXS OVERMOLDED DROP PROTECTION, BLACK	2
L	FOCAB Ø4.8 mm, 2FOLD, SINGLE MODE G657A2, BLACK	1

THIS DRAWING IS A CONTROLLED DOCUMENT.		DWN R. COOLEN 14MAY2014	TE Connectivity	
DIMENSIONS: mm		CHK T. DRIJFHOUT 14MAY2014		
TOLERANCES UNLESS OTHERWISE SPECIFIED:		APVD S. BORGAS 14MAY2014	NAME	
0 PLC ± -		PRODUCT SPEC	FIBER OPTIC LEAD 4.8 mm	
1 PLC ± -		APPLICATION SPEC	FULLAXS LC/DPX - LC/DPX	
2 PLC ± -		108-19447	SINGLE MODE G657.A2	
3 PLC ± -		114-32032	SIZE	CAGE CODE
4 PLC ± -		WEIGHT	A2	00779
ANGLES ± -		CUSTOMER DRAWING	DRAWING NO	
FINISH		SCALE		RESTRICTED TO
		NTS		-
		SHEET		REV
		1 OF 1		A

X-ON Electronics

Largest Supplier of Electrical and Electronic Components

Click to view similar products for [Fibre Optic Cable Assemblies](#) category:

Click to view products by [TE Connectivity](#) manufacturer:

Other Similar products are found below :

[7-21002-9](#) [760-1518](#) [FA04390-50-M-72-LC-N](#) [MLB 501 V RED](#) [MLB 501 V YELLOW](#) [1-3636-600-5208](#) [2061529-7](#) [1-6693182-0](#)
[1754898-1](#) [21055-6](#) [FXBSCSCE2LM002](#) [3000005](#) [3-21053-2](#) [MLB 200/1 V BLACK](#) [MLB 2001 V RED](#) [MLB 2001 V YELLOW](#) [MLB 501](#)
[V BLACK](#) [5492011-6](#) [106284-7000](#) [5492011-5](#) [5492011-8](#) [5492011-9](#) [8-21007-5](#) [2123524-2](#) [2123524-1](#) [106386-4447](#) [DFSM-SCSC-2M](#)
[2123909-4](#) [2123909-8](#) [106273-0629](#) [2125046-1](#) [2821236-3](#) [2821310-2](#) [2821310-3](#) [2821313-4](#) [FX2ERLNLNSNM0.5](#) [CF-980062-074](#) [CF-](#)
[901200-394](#) [CF-980062-073](#) [CF-980062-071](#) [CF-980062-075](#) [CF-980062-072](#) [17-300310-100](#) [2821236-2](#) [2821313-1](#) [G-FC-FC-S-002.0-DX-](#)
[A-18-Y](#) [G-E2A-E2A-S-003.0-SX-A-18-Y](#) [956-322-502214](#) [FA04474](#) [1083665](#)