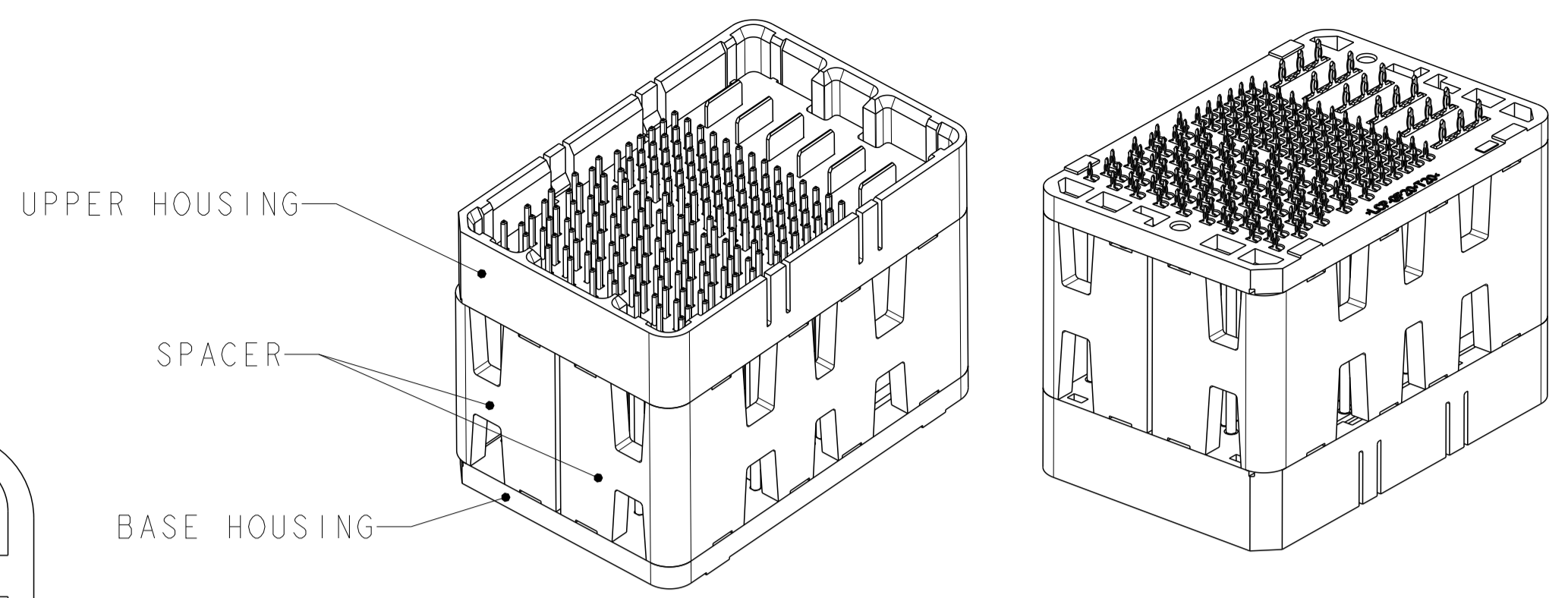
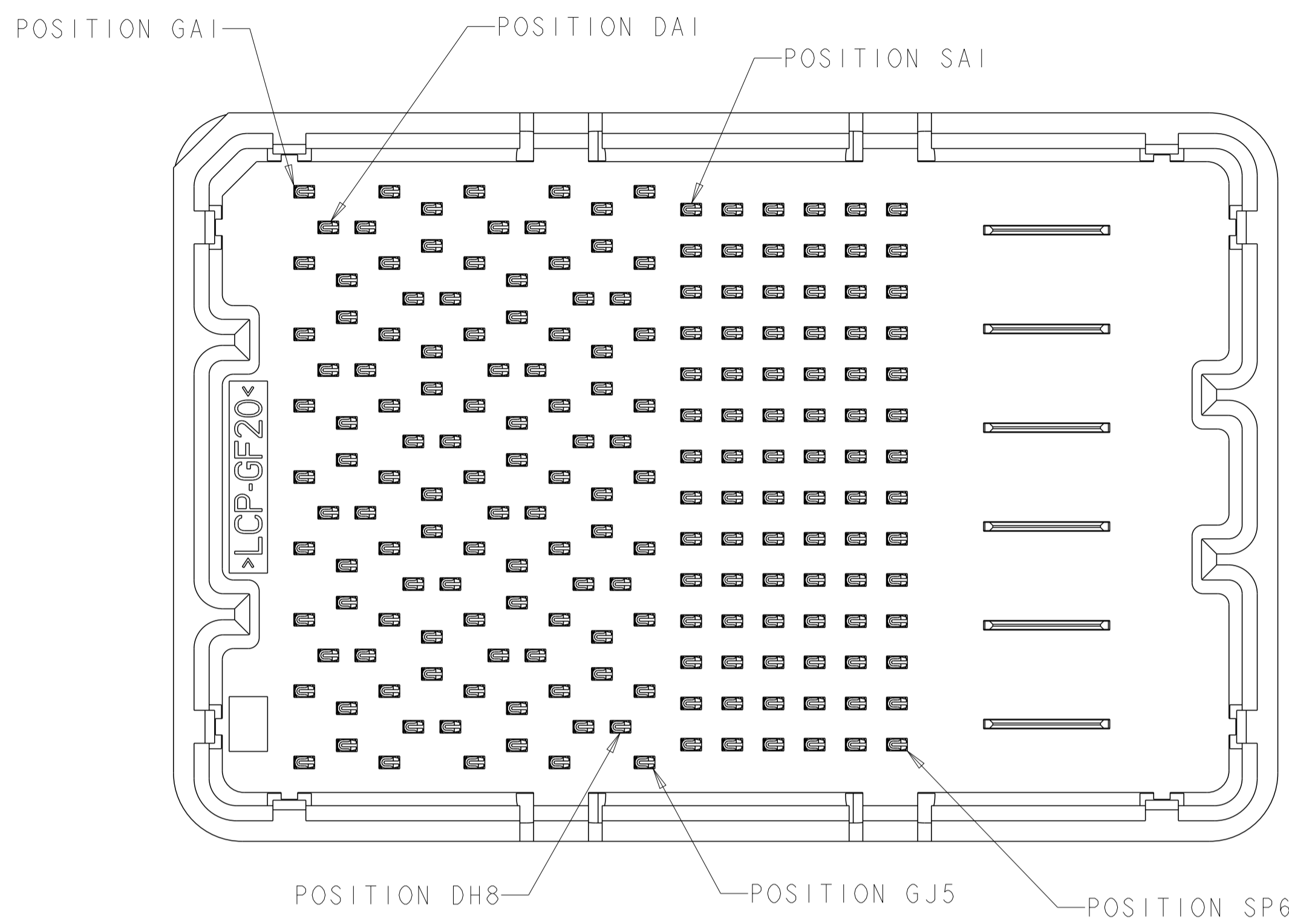
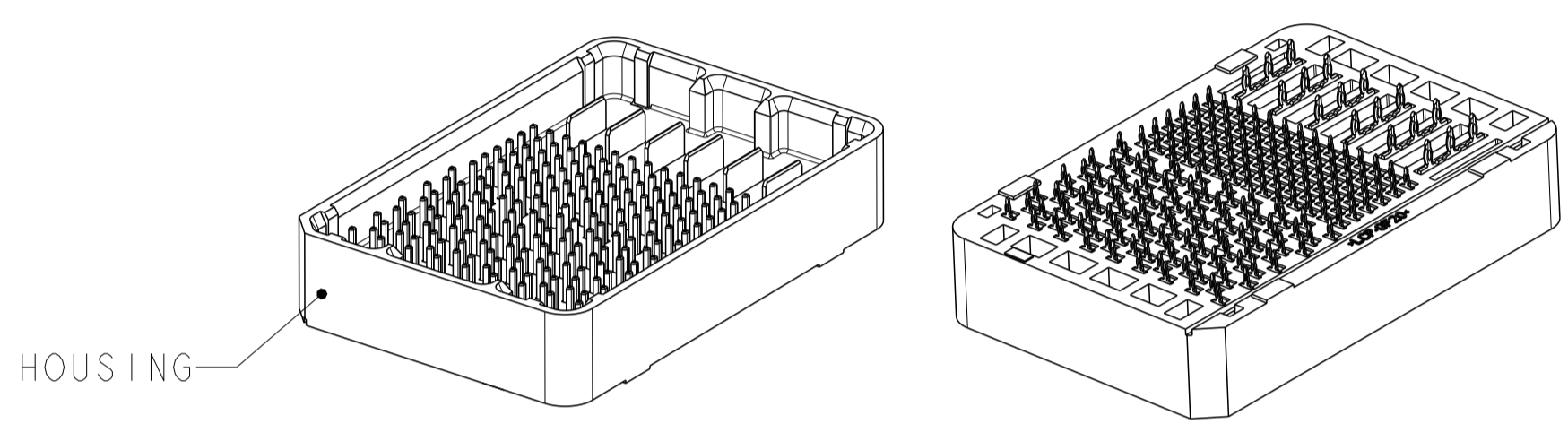


LOC	DIST	REVISIONS			
P	LTN	DESCRIPTION	DATE	OWN	APVD
A		REVISED PER ECO-12-018201	11OCT2012	KH	MH

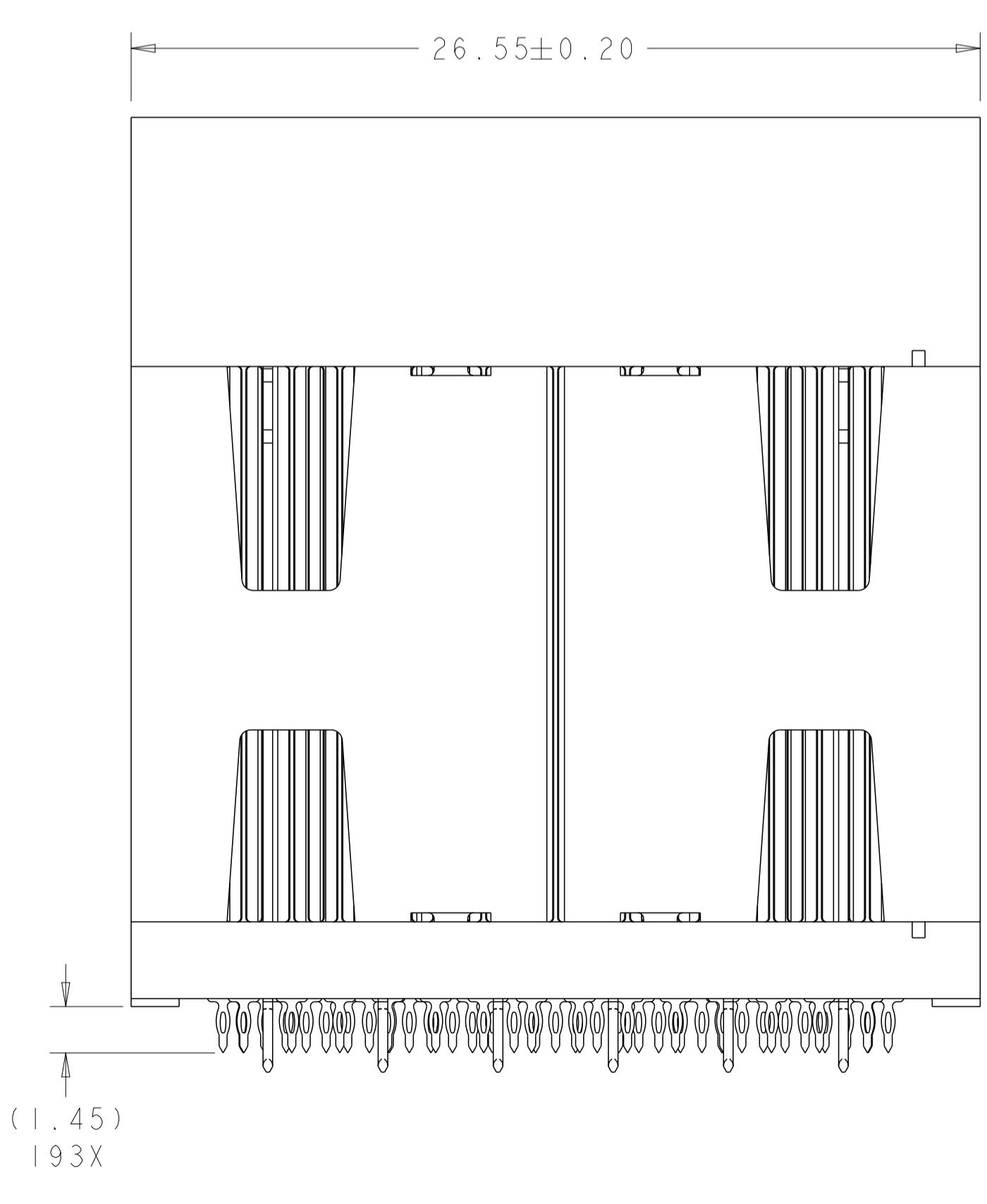
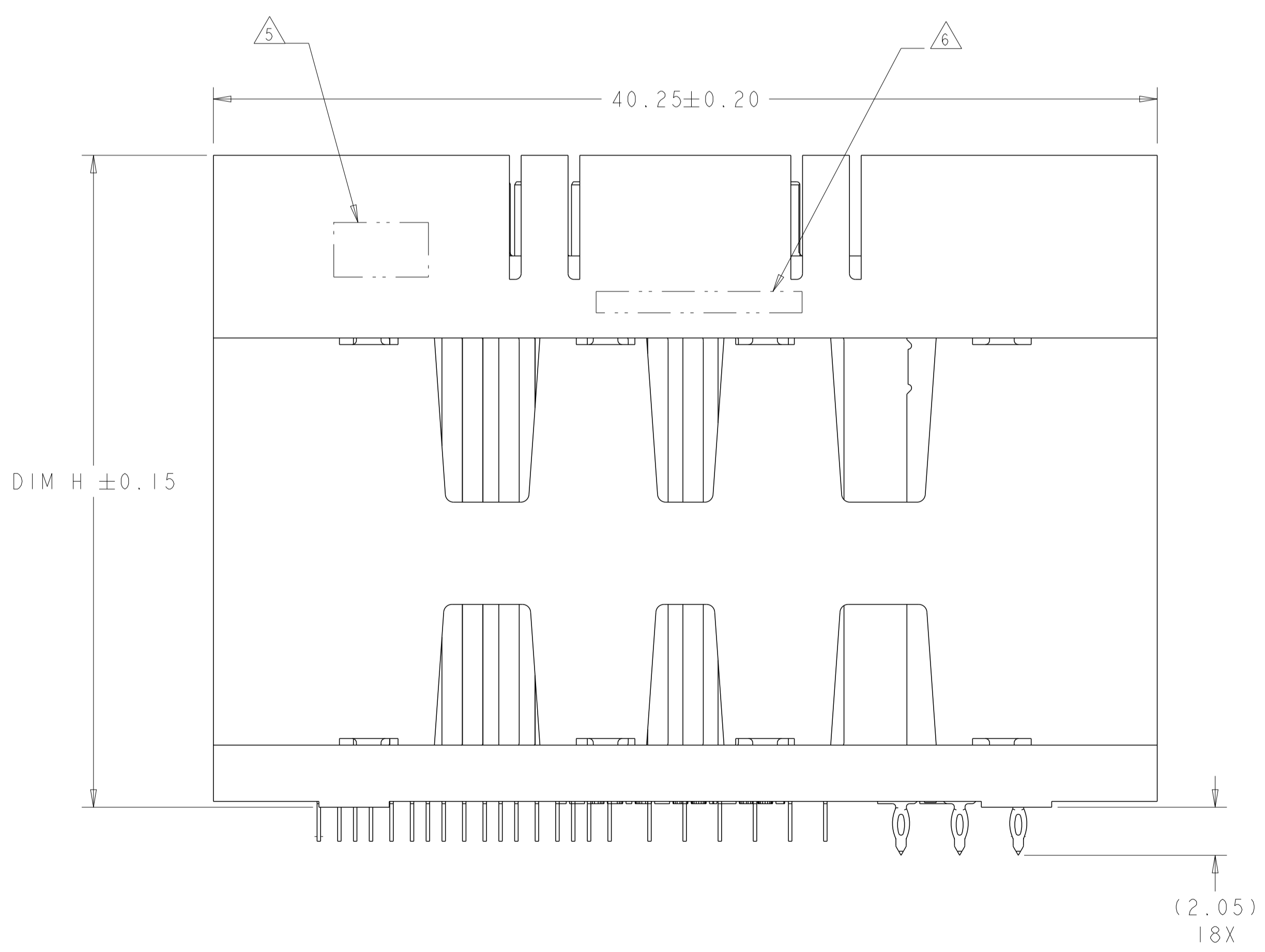


ISOMETRIC VIEW
TYPICAL CONFIGURATION FOR 14mm THRU 42mm
28mm SHOWN
SCALE 2:1



ISOMETRIC VIEW
TYPICAL CONFIGURATION FOR 8mm THRU 13mm
8mm SHOWN
SCALE 2:1

- 1 MATERIAL:
BASE HOUSING, UPPER HOUSING, ORGANIZER,
AND SPACER: THERMOPLASTIC, FLAMMABILITY
RATING UL94-V0
CONTACT: COPPER ALLOY
- 2. CONFORMS TO THE REQUIREMENTS OF TE PRODUCT
SPECIFICATION, 108-2375; BASED ON TELCORDIA
GR-1217-CORE FOR SYSTEM QUALITY LEVEL III,
APPLICATIONS IN CONTROLLED ENVIRONMENTS
(CENTRAL OFFICE).
SEE TE PRODUCT SPECIFICATION 108-2375 FOR
TEST SEQUENCES.
- 3 ROWS GA THRU GJ (SHOWN DARKENED) ARE TYPICALLY
USED AS GROUNDS.
- 4 SPECIFIED POSITIONAL TOLERANCE DEFINES HOLE TO
HOLE LOCATION WITHIN HOLE PATTERN. POSITIONAL
TOLERANCE OF HOLE PATTERN TO FIDUCIAL MARKS
OR PCB DATUMS SHALL BE DEFINED BY CUSTOMER.
- 5 AREA RESERVED FOR TE CONNECTIVITY LOGO.
- 6 AREA RESERVED FOR PART NUMBER (X-XXXXXXX-X)
AND DATE CODE (YYWW).
- 7 USE CENTERLINES INDICATED ON PCB HOLE PATTERN
TO ESTABLISH ALIGNMENT BETWEEN HEADER AND
RECEPTACLE BOARDS.
- 8 PLATED THROUGH HOLE REQUIREMENTS - SIGNAL:
HOLE SIZE PRIOR TO PLATING = $\varnothing 0.420 \pm 0.013$
COPPER PLATING THICKNESS = 0.038 ± 0.013
CALCULATED FINISHED HOLE SIZE = $\varnothing 0.344 \pm 0.039$
THESE DIMENSIONS APPLY TO THE TOP 1.25mm OF
THE PCB THICKNESS FROM THE CONNECTOR MOUNTING
SIDE.
- 9 PLATED THROUGH HOLE REQUIREMENTS - POWER:
HOLE SIZE PRIOR TO PLATING = $\varnothing 0.700 \pm 0.025$
COPPER PLATING THICKNESS = 0.038 ± 0.013
CALCULATED FINISHED HOLE SIZE = $\varnothing 0.624 \pm 0.051$
THESE DIMENSIONS APPLY TO THE TOP 1.50mm OF
THE PCB THICKNESS FROM THE CONNECTOR MOUNTING
SIDE.
- 10 CONTACT SALES FOR AVAILABILITY OF THIS STACK
HEIGHT.



SIZE 2 HOUSING *
32 DIFFERENTIAL PAIRS
84 HIGH-DENSITY GRID
193 TOTAL SIGNAL CONTACTS
6 POWER CONTACTS

* SIZE 1 AND SIZE 3 ARE ALSO AVAILABLE

THIS DRAWING IS A CONTROLLED DOCUMENT.		OWN D. RINGLER 05AUG2009	TE Connectivity
DIMENSIONS: mm		CHK D. TROUT 05AUG2009	
		TOLERANCES UNLESS OTHERWISE SPECIFIED: 0 PLC ± 2 PLC ±0.13 3 PLC ±0.013 4 PLC ± ANGLES ±1 FINISH	NAME HEADER ASSEMBLY 32/84/6P STRADA MESA MEZZANINE CONNECTOR
MATERIAL		APVD J. FEEDER 05AUG2009	PRODUCT SPEC 108-2375 APPLICATION SPEC 114-13249
		SIZE A1	CAGE CODE 00779
		DRAWING NO. C=2110900	RESTRICTED TO
		WEIGHT	SCALE 6:1 SHEET 1 OF 4 REV A
		Customer Drawing	

THIS DRAWING IS UNPUBLISHED. RELEASED FOR PUBLICATION 20
 © COPYRIGHT 20 BY - ALL RIGHTS RESERVED.

LOC	DIST	REVISIONS			
P	LYN	DESCRIPTION	DATE	DMN	APVD
-	-	SEE SHEET 1	-	-	-

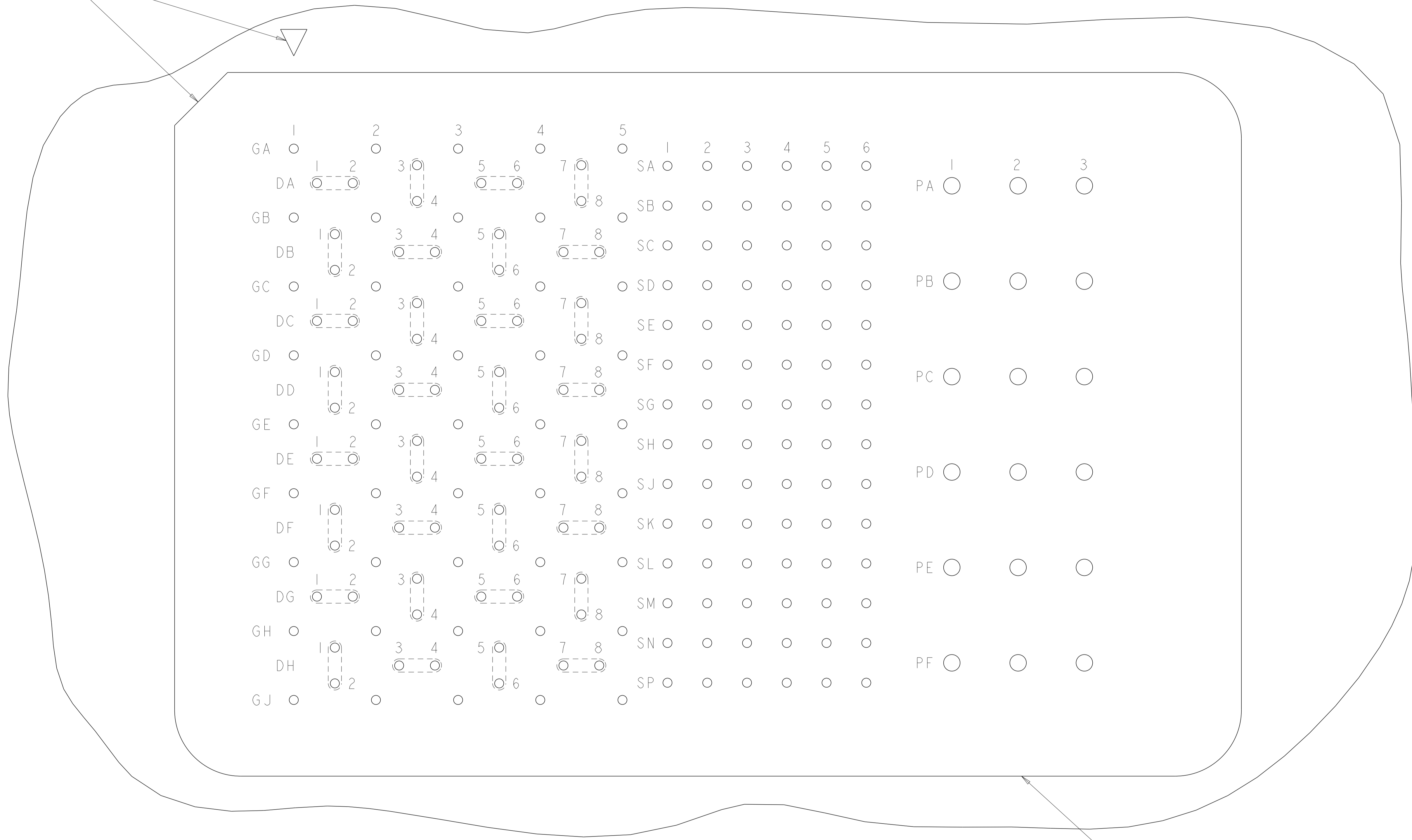
	41.8	42mm	MATTE Sn	9-2110900-2
	40.8	41mm	MATTE Sn	9-2110900-1
	39.8	40mm	MATTE Sn	9-2110900-0
	38.8	39mm	MATTE Sn	8-2110900-9
	37.8	38mm	MATTE Sn	8-2110900-8
	36.8	37mm	MATTE Sn	8-2110900-7
	35.8	36mm	MATTE Sn	8-2110900-6
	34.8	35mm	MATTE Sn	8-2110900-5
	33.8	34mm	MATTE Sn	8-2110900-4
	32.8	33mm	MATTE Sn	8-2110900-3
	31.8	32mm	MATTE Sn	8-2110900-2
	30.8	31mm	MATTE Sn	8-2110900-1
	29.8	30mm	MATTE Sn	8-2110900-0
	28.8	29mm	MATTE Sn	7-2110900-9
	27.8	28mm	MATTE Sn	7-2110900-8
	26.8	27mm	MATTE Sn	7-2110900-7
	25.8	26mm	MATTE Sn	7-2110900-6
	24.8	25mm	MATTE Sn	7-2110900-5
	23.8	24mm	MATTE Sn	7-2110900-4
	22.8	23mm	MATTE Sn	7-2110900-3
	21.8	22mm	MATTE Sn	7-2110900-2
	20.8	21mm	MATTE Sn	7-2110900-1
	19.8	20mm	MATTE Sn	7-2110900-0
	18.8	19mm	MATTE Sn	6-2110900-9
	17.8	18mm	MATTE Sn	6-2110900-8
	16.8	17mm	MATTE Sn	6-2110900-7
	15.8	16mm	MATTE Sn	6-2110900-6
	14.8	15mm	MATTE Sn	6-2110900-5
	13.8	14mm	MATTE Sn	6-2110900-4
	12.8	13mm	MATTE Sn	6-2110900-3
	11.8	12mm	MATTE Sn	6-2110900-2
	10.8	11mm	MATTE Sn	6-2110900-1
	9.8	10mm	MATTE Sn	6-2110900-0
	8.8	9mm	MATTE Sn	5-2110900-9
	7.8	8mm	MATTE Sn	5-2110900-8
TOOLED	DIM H	STACK HEIGHT	CONTACT TAIL PLATING	PART NUMBER

	41.8	42mm	Sn/Pb	4-2110900-2
	40.8	41mm	Sn/Pb	4-2110900-1
	39.8	40mm	Sn/Pb	4-2110900-0
	38.8	39mm	Sn/Pb	3-2110900-9
	37.8	38mm	Sn/Pb	3-2110900-8
	36.8	37mm	Sn/Pb	3-2110900-7
	35.8	36mm	Sn/Pb	3-2110900-6
	34.8	35mm	Sn/Pb	3-2110900-5
	33.8	34mm	Sn/Pb	3-2110900-4
	32.8	33mm	Sn/Pb	3-2110900-3
	31.8	32mm	Sn/Pb	3-2110900-2
	30.8	31mm	Sn/Pb	3-2110900-1
	29.8	30mm	Sn/Pb	3-2110900-0
	28.8	29mm	Sn/Pb	2-2110900-9
	27.8	28mm	Sn/Pb	2-2110900-8
	26.8	27mm	Sn/Pb	2-2110900-7
	25.8	26mm	Sn/Pb	2-2110900-6
	24.8	25mm	Sn/Pb	2-2110900-5
	23.8	24mm	Sn/Pb	2-2110900-4
	22.8	23mm	Sn/Pb	2-2110900-3
	21.8	22mm	Sn/Pb	2-2110900-2
	20.8	21mm	Sn/Pb	2-2110900-1
	19.8	20mm	Sn/Pb	2-2110900-0
	18.8	19mm	Sn/Pb	1-2110900-9
	17.8	18mm	Sn/Pb	1-2110900-8
	16.8	17mm	Sn/Pb	1-2110900-7
	15.8	16mm	Sn/Pb	1-2110900-6
	14.8	15mm	Sn/Pb	1-2110900-5
	13.8	14mm	Sn/Pb	1-2110900-4
	12.8	13mm	Sn/Pb	1-2110900-3
	11.8	12mm	Sn/Pb	1-2110900-2
	10.8	11mm	Sn/Pb	1-2110900-1
	9.8	10mm	Sn/Pb	1-2110900-0
	8.8	9mm	Sn/Pb	2110900-9
	7.8	8mm	Sn/Pb	2110900-8
TOOLED	DIM H	STACK HEIGHT	CONTACT TAIL PLATING	PART NUMBER

THIS DRAWING IS A CONTROLLED DOCUMENT.		DMN D. RINGLER 05AUG2009	 TE Connectivity
DIMENSIONS: mm		CHK D. TROUT 05AUG2009	
TOLERANCES UNLESS OTHERWISE SPECIFIED:		APVD J. FEEDER 05AUG2009	NAME HEADER ASSEMBLY 32/84/6P STRADA MESA MEZZANINE CONNECTOR
0 PLC ± 1 PLC ±0.13 2 PLC ±0.013 3 PLC ± 4 PLC ± ANGLES ±1 FINISH		PRODUCT SPEC 108-2375 APPLICATION SPEC 114-13249	SIZE A100779
MATERIAL		WEIGHT	DRAWING NO C=2110900
		Customer Drawing	RESTRICTED TO SCALE 6:1 SHEET 2 OF 4 REV A


LOC		DIST		REVISIONS			
P	LTN	DESCRIPTION	DATE	DMN	APVD		
-	-	SEE SHEET 1	-	-	-		

A1 CORNER INDICATORS.

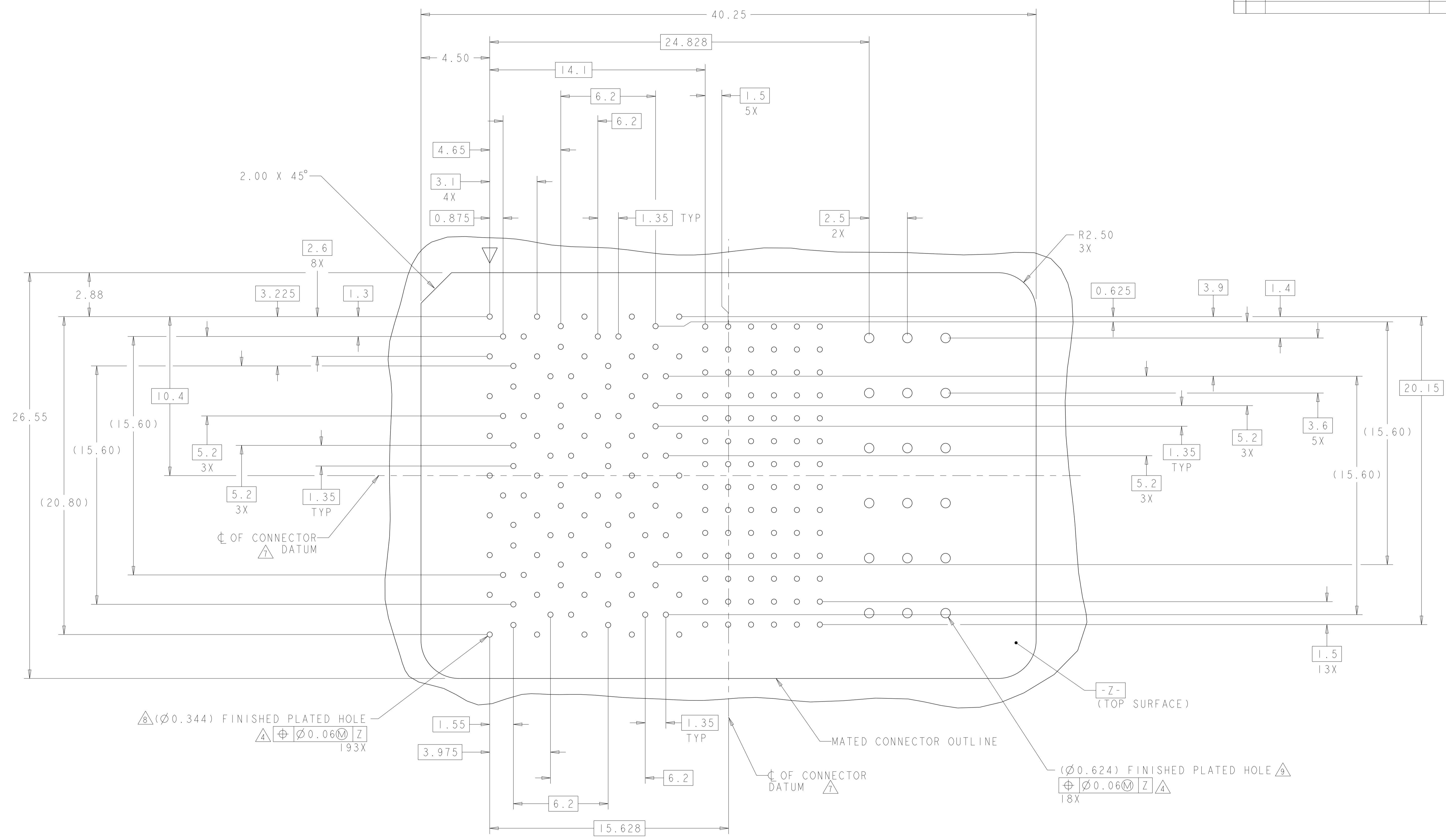


MATED CONNECTOR OUTLINE
 SEE SHEET 4 FOR LOCATION TO HOLES

PCB LAYOUT AND PIN IDENTIFICATION 
 SHOWN FROM CONNECTOR SIDE
 SCALE 12:1

THIS DRAWING IS A CONTROLLED DOCUMENT.		DMN D. RINGLER 05AUG2009	 TE Connectivity
DIMENSIONS:		CHK D. TROUT 05AUG2009	
mm	TOLERANCES UNLESS OTHERWISE SPECIFIED:	APVD J. FEEDER 05AUG2009	NAME HEADER ASSEMBLY 32/84/6P
0 PLC ±	1 PLC ±.13	PRODUCT SPEC	STRADA MESA MEZZANINE CONNECTOR
2 PLC ±.013	3 PLC ±.013	APPLICATION SPEC	SIZE CAGE CODE DRAWING NO RESTRICTED TO
4 PLC ±	ANGLES ±.1	114-13249	A100779C=2110900
MATERIAL	FINISH	WEIGHT	SCALE 6:1 SHEET 3 OF 4 REV A
		Customer Drawing	

LOC		DIST		REVISIONS			
GP	00	P	LTH	DESCRIPTION	DATE	DWN	APVD
		-		SEE SHEET 1	-	-	-



PCB HOLE PATTERN
 SHOWN FROM CONNECTOR SIDE
 SCALE 8:1

THIS DRAWING IS A CONTROLLED DOCUMENT.		DWN D. RINGLER 05AUG2009	NAME HEADER ASSEMBLY 32/84/6P
DIMENSIONS: mm		CHK D. TROUT 05AUG2009	TE Connectivity
TOLERANCES UNLESS OTHERWISE SPECIFIED:		APVD J. FEODER 05AUG2009	PRODUCT SPEC 108-2375
0 PLC	±	APPLICATION SPEC 114-13249	RESTRICTED TO
2 PLC	±0.13	SIZE A100779	CAGE CODE C=2110900
3 PLC	±0.013	WEIGHT	SCALE 6:1 SHEET 4 OF 4 REV A
4 PLC	±	MATERIAL	
ANGLES	±1	Customer Drawing	

X-ON Electronics

Largest Supplier of Electrical and Electronic Components

Click to view similar products for [High Speed/Modular Connectors](#) category:

Click to view products by [TE Connectivity](#) manufacturer:

Other Similar products are found below :

[2332816-1](#) [89006-1137LF](#) [650827-1](#) [65762-001LF](#) [73474-201LF](#) [74040-1346](#) [74075-0267](#) [1410191-1](#) [1410337-1](#) [1410368-3](#) [1410964-2](#)
[1410367-3](#) [1410971-4](#) [1467833-1](#) [2000877-1](#) [2000878-1](#) [2041314-1](#) [2065387-1](#) [2187307-1](#) [2187462-1](#) [91290-101LF](#) [163P](#) [1934290-1](#)
[2000875-1](#) [2065917-1](#) [2102736-2](#) [FSR-40](#) [2169868-2](#) [22354-8](#) [437-5040-000](#) [5-1393565-0](#) [532449-3](#) [532803-2](#) [34745-0001](#) [1-1393708-5](#)
[73774-1000](#) [532939-1](#) [5-531355-3](#) [85838-180LF](#) [HM1S43TRR460H6PLF](#) [0760205010](#) [0782341022](#) [1-966831-4](#) [3-1469268-7](#) [77427-121LF](#)
[74748-102LF](#) [10009542-001LF](#) [73983-A001LF](#) [10041743-101LF](#) [10066670-100002LF](#)