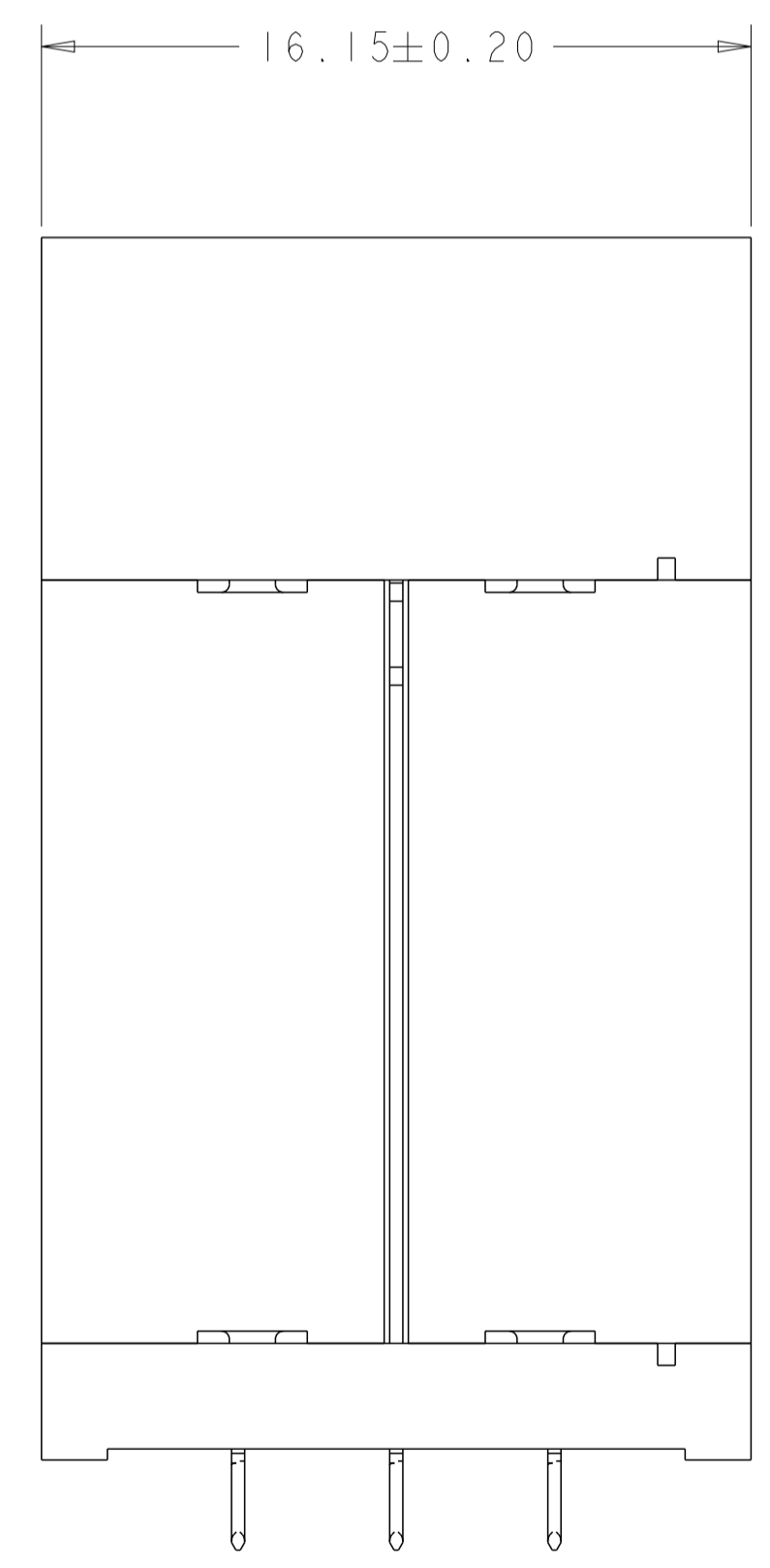
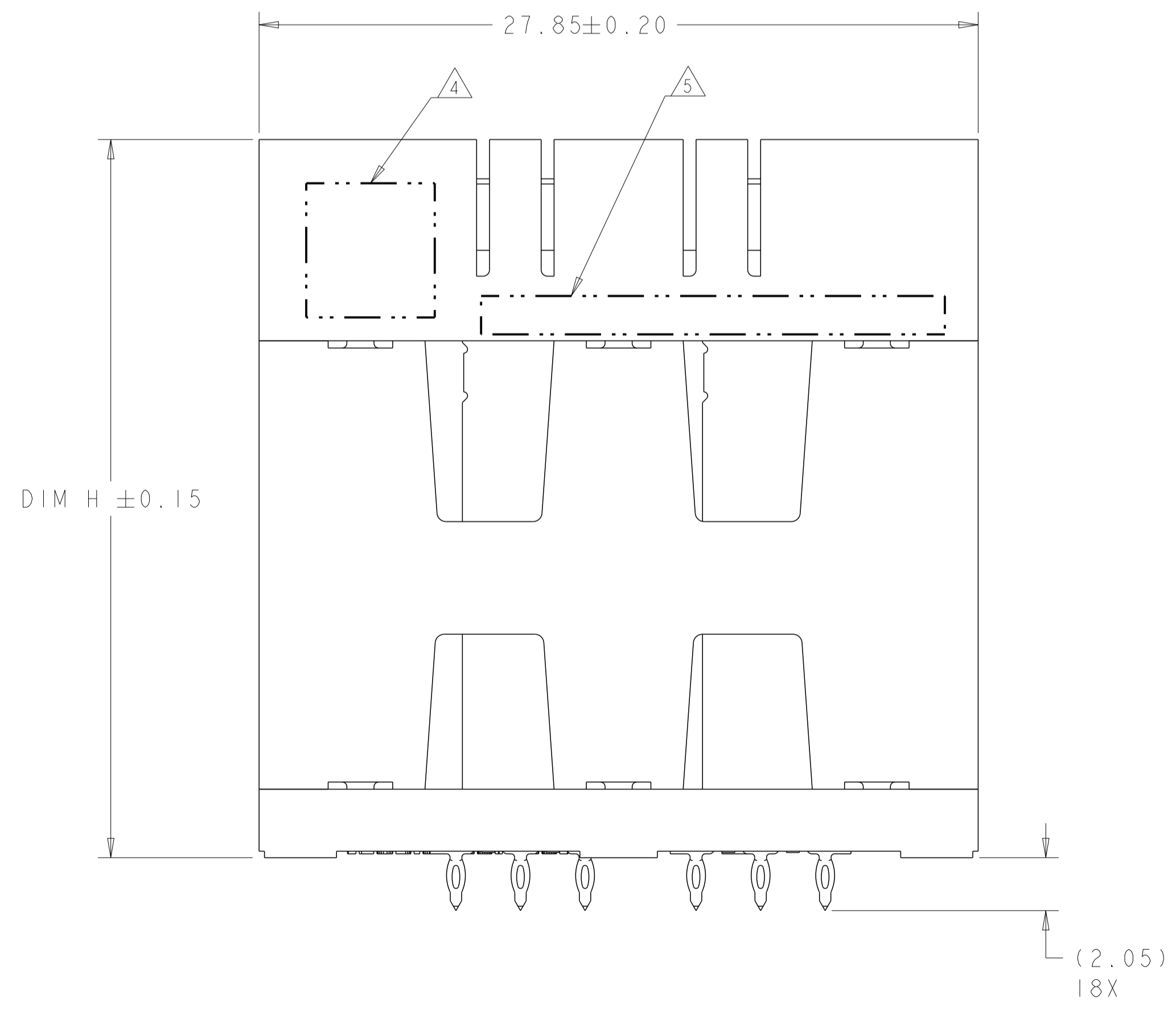
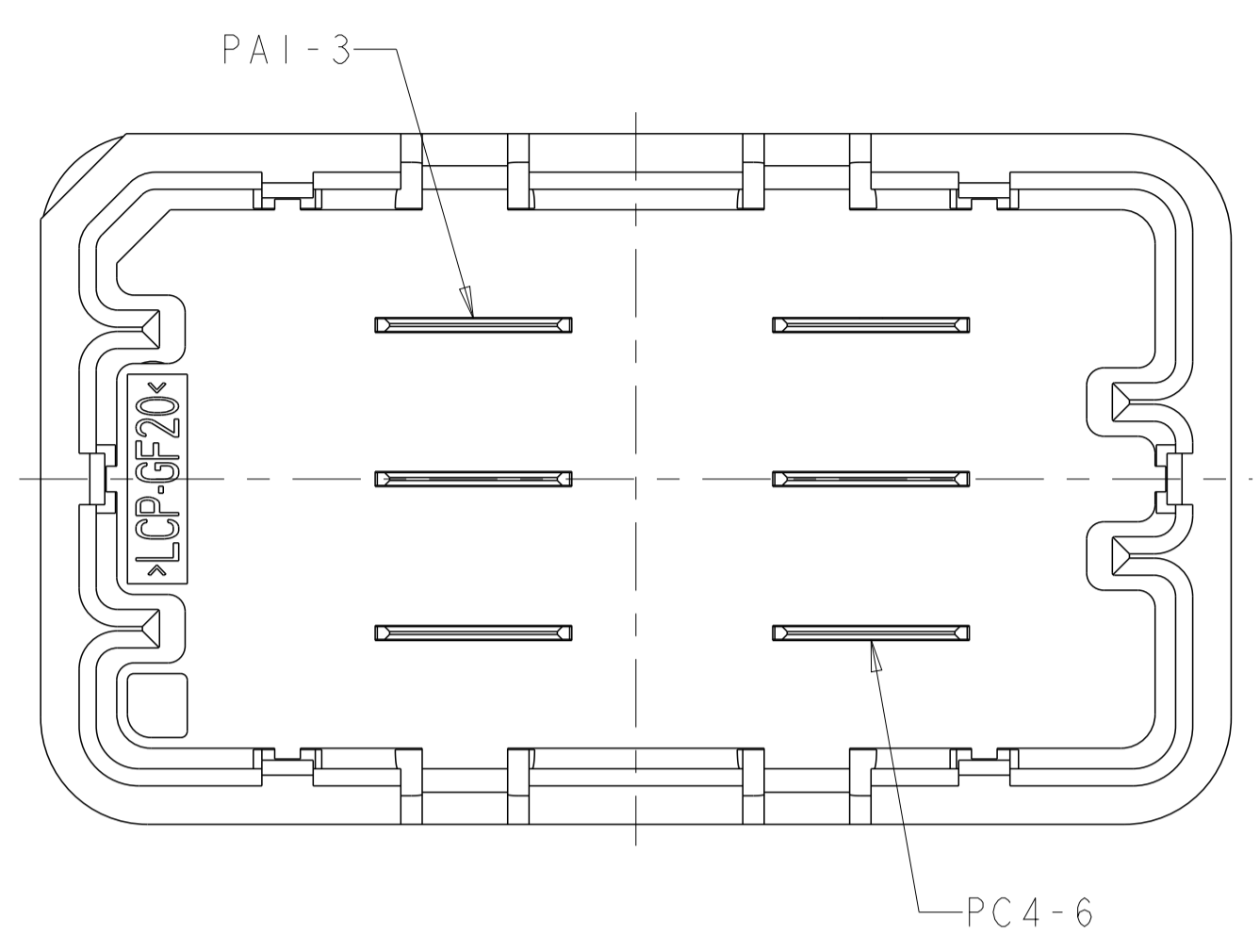


| LOC | DIST | REVISIONS | | | |
|-----|------|-------------|---------------------------|---------|-------|
| P | LTN | DESCRIPTION | DATE | DWN | APVD |
| GP | 00 | A | REVISED PER ECO-12-018933 | 31OCT12 | KH MH |
| - | - | - | - | - | - |
| - | - | - | - | - | - |



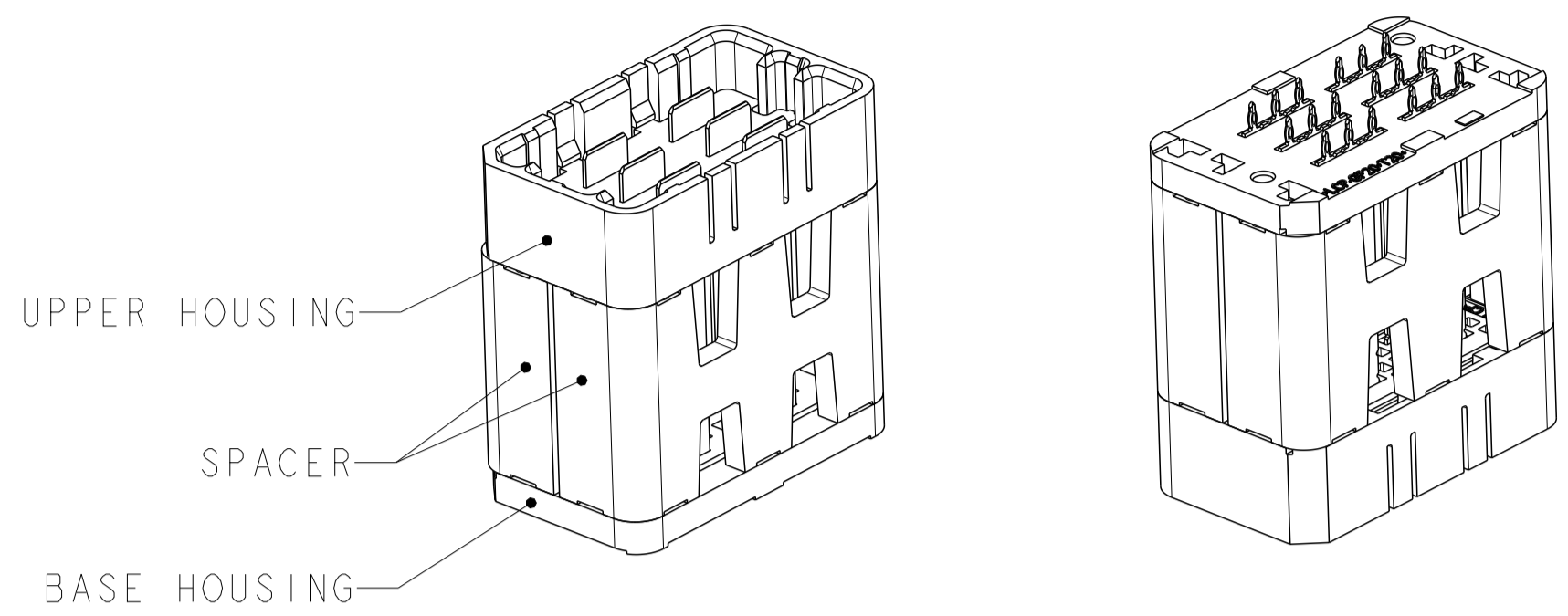
- △ MATERIAL:
 BASE HOUSING, UPPER HOUSING, ORGANIZER,
 AND SPACER: THERMOPLASTIC, FLAMMABILITY
 RATING UL94 V-0
 CONTACT: COPPER ALLOY
- 2. CONFORMS TO THE REQUIREMENTS OF TE PRODUCT
 SPECIFICATION, 108-2375; BASED ON TELCORDIA
 GR-1217-CORE FOR SYSTEM QUALITY LEVEL III,
 APPLICATIONS IN CONTROLLED ENVIRONMENTS
 (CENTRAL OFFICE).
 SEE TE PRODUCT SPECIFICATION 108-2375 FOR
 TEST SEQUENCES.
- △ 3. SPECIFIED POSITIONAL TOLERANCE DEFINES HOLE TO
 HOLE LOCATION WITHIN HOLE PATTERN. POSITIONAL
 TOLERANCE OF HOLE PATTERN TO FIDUCIAL MARKS
 OR PCB DATUMS SHALL BE DEFINED BY CUSTOMER.
- △ 4. AREA RESERVED FOR TE CONNECTIVITY LOGO.
- △ 5. AREA RESERVED FOR PART NUMBER (X-XXXXXXX-X) AND
 DATE CODE (YYWW).
- △ 6. USE CENTER LINES INDICATED ON PCB HOLE PATTERN
 TO ESTABLISH ALIGNMENT BETWEEN HEADER AND
 RECEPTACLE BOARDS.
- △ PLATED THROUGH HOLE REQUIREMENTS:
 HOLE SIZE PRIOR TO PLATING = $\varnothing 0.700 \pm 0.025$
 COPPER PLATING THICKNESS = 0.038 ± 0.013
 CALCULATED FINISHED HOLE SIZE = $\varnothing 0.624 \pm 0.051$
 THESE DIMENSIONS APPLY TO THE TOP 1.50mm OF
 THE PCB THICKNESS FROM THE CONNECTOR MOUNTING
 SIDE.
- △ CONTACT SALES FOR AVAILABILITY OF THIS STACK
 HEIGHT.

SIZE 1 HALF-WIDE *
6 POWER CONTACTS

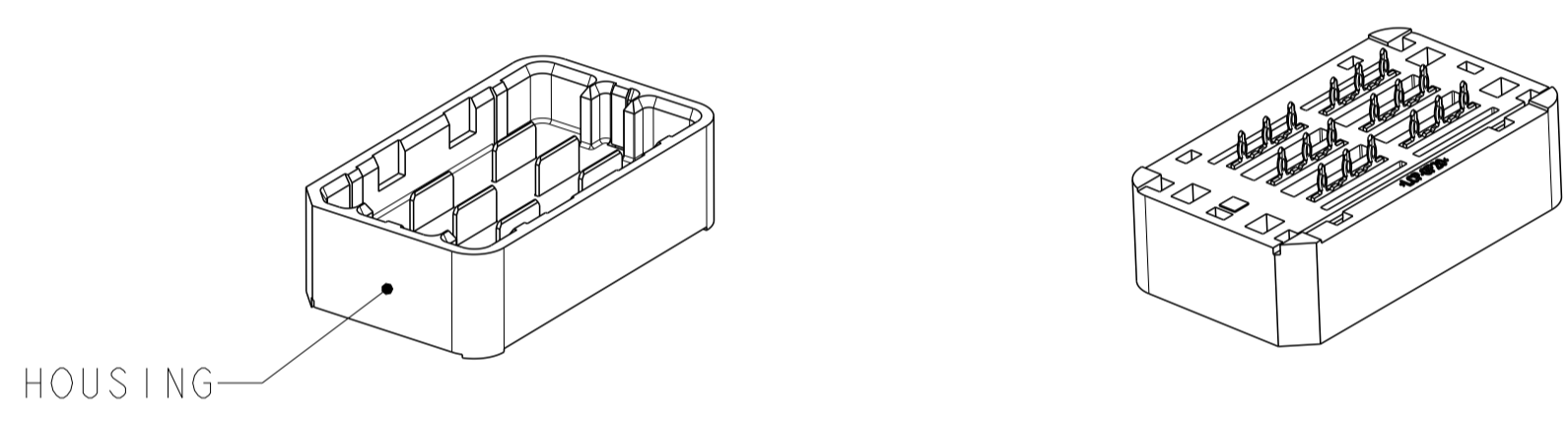
* SIZE 2 AND SIZE 3 ARE ALSO AVAILABLE

| | | | |
|--|--------------|-------------------------------|---|
| THIS DRAWING IS A CONTROLLED DOCUMENT. | | DWN HAMNER 02NOV2010 | TE Connectivity |
| DIMENSIONS: mm | | CHK D. TROUT 03NOV2010 | |
| TOLERANCES UNLESS OTHERWISE SPECIFIED: | | APVD J. FEDDER 03NOV2010 | NAME HEADER ASSEMBLY, HALF-WIDE, 6P, STRADA MESA MEZZANINE CONNECTOR |
| 0 PLC ± | 1 PLC ± | PRODUCT SPEC 108-2375 | SIZE A1 |
| 2 PLC ±0.13 | 3 PLC ±0.013 | APPLICATION SPEC 114-13249 | CAGE CODE C=2149520 |
| 4 PLC ± | ANGLES ± | WEIGHT | RESTRICTED TO |
| MATERIAL | | Customer Drawing | SCALE 6:1 SHEET 1 OF 4 REV A |

| LOC | DIST | REVISIONS | | | | | |
|-----|------|-----------|-----|-------------|------|-----|------|
| GP | 00 | P | LYR | DESCRIPTION | DATE | OWN | APVD |
| | | - | - | SEE SHEET 1 | - | - | - |



ISOMETRIC VIEW
 TYPICAL CONFIGURATION FOR 14mm THRU 42mm
 28mm SHOWN
 SCALE 2:1



ISOMETRIC VIEWS
 TYPICAL CONFIGURATION FOR 8mm THRU 13mm
 8mm SHOWN
 SCALE 2:1

| TOOLED | DIM H | STACK HEIGHT | CONTACT TAIL PLATING | PART NUMBER |
|--------|-------|--------------|----------------------|-------------|
| △ | 41.8 | 42mm | MATTE Sn | 9-2149520-2 |
| △ | 40.8 | 41mm | MATTE Sn | 9-2149520-1 |
| YES | 39.8 | 40mm | MATTE Sn | 9-2149520-0 |
| △ | 38.8 | 39mm | MATTE Sn | 8-2149520-9 |
| △ | 37.8 | 38mm | MATTE Sn | 8-2149520-8 |
| △ | 36.8 | 37mm | MATTE Sn | 8-2149520-7 |
| △ | 35.8 | 36mm | MATTE Sn | 8-2149520-6 |
| △ | 34.8 | 35mm | MATTE Sn | 8-2149520-5 |
| △ | 33.8 | 34mm | MATTE Sn | 8-2149520-4 |
| △ | 32.8 | 33mm | MATTE Sn | 8-2149520-3 |
| △ | 31.8 | 32mm | MATTE Sn | 8-2149520-2 |
| △ | 30.8 | 31mm | MATTE Sn | 8-2149520-1 |
| △ | 29.8 | 30mm | MATTE Sn | 8-2149520-0 |
| △ | 28.8 | 29mm | MATTE Sn | 7-2149520-9 |
| △ | 27.8 | 28mm | MATTE Sn | 7-2149520-8 |
| △ | 26.8 | 27mm | MATTE Sn | 7-2149520-7 |
| △ | 25.8 | 26mm | MATTE Sn | 7-2149520-6 |
| YES | 24.8 | 25mm | MATTE Sn | 7-2149520-5 |
| △ | 23.8 | 24mm | MATTE Sn | 7-2149520-4 |
| △ | 22.8 | 23mm | MATTE Sn | 7-2149520-3 |
| YES | 21.8 | 22mm | MATTE Sn | 7-2149520-2 |
| △ | 20.8 | 21mm | MATTE Sn | 7-2149520-1 |
| △ | 19.8 | 20mm | MATTE Sn | 7-2149520-0 |
| △ | 18.8 | 19mm | MATTE Sn | 6-2149520-9 |
| △ | 17.8 | 18mm | MATTE Sn | 6-2149520-8 |
| △ | 16.8 | 17mm | MATTE Sn | 6-2149520-7 |
| △ | 15.8 | 16mm | MATTE Sn | 6-2149520-6 |
| △ | 14.8 | 15mm | MATTE Sn | 6-2149520-5 |
| △ | 13.8 | 14mm | MATTE Sn | 6-2149520-4 |
| △ | 12.8 | 13mm | MATTE Sn | 6-2149520-3 |
| △ | 11.8 | 12mm | MATTE Sn | 6-2149520-2 |
| △ | 10.8 | 11mm | MATTE Sn | 6-2149520-1 |
| △ | 9.8 | 10mm | MATTE Sn | 6-2149520-0 |
| △ | 8.8 | 9mm | MATTE Sn | 5-2149520-9 |
| △ | 7.8 | 8mm | MATTE Sn | 5-2149520-8 |

| TOOLED | DIM H | STACK HEIGHT | CONTACT TAIL PLATING | PART NUMBER |
|--------|-------|--------------|----------------------|-------------|
| △ | 41.8 | 42mm | Sn/Pb | 4-2149520-2 |
| △ | 40.8 | 41mm | Sn/Pb | 4-2149520-1 |
| YES | 39.8 | 40mm | Sn/Pb | 4-2149520-0 |
| △ | 38.8 | 39mm | Sn/Pb | 3-2149520-9 |
| △ | 37.8 | 38mm | Sn/Pb | 3-2149520-8 |
| △ | 36.8 | 37mm | Sn/Pb | 3-2149520-7 |
| △ | 35.8 | 36mm | Sn/Pb | 3-2149520-6 |
| △ | 34.8 | 35mm | Sn/Pb | 3-2149520-5 |
| △ | 33.8 | 34mm | Sn/Pb | 3-2149520-4 |
| △ | 32.8 | 33mm | Sn/Pb | 3-2149520-3 |
| △ | 31.8 | 32mm | Sn/Pb | 3-2149520-2 |
| △ | 30.8 | 31mm | Sn/Pb | 3-2149520-1 |
| △ | 29.8 | 30mm | Sn/Pb | 3-2149520-0 |
| △ | 28.8 | 29mm | Sn/Pb | 2-2149520-9 |
| △ | 27.8 | 28mm | Sn/Pb | 2-2149520-8 |
| △ | 26.8 | 27mm | Sn/Pb | 2-2149520-7 |
| △ | 25.8 | 26mm | Sn/Pb | 2-2149520-6 |
| YES | 24.8 | 25mm | Sn/Pb | 2-2149520-5 |
| △ | 23.8 | 24mm | Sn/Pb | 2-2149520-4 |
| △ | 22.8 | 23mm | Sn/Pb | 2-2149520-3 |
| YES | 21.8 | 22mm | Sn/Pb | 2-2149520-2 |
| △ | 20.8 | 21mm | Sn/Pb | 2-2149520-1 |
| △ | 19.8 | 20mm | Sn/Pb | 2-2149520-0 |
| △ | 18.8 | 19mm | Sn/Pb | 1-2149520-9 |
| △ | 17.8 | 18mm | Sn/Pb | 1-2149520-8 |
| △ | 16.8 | 17mm | Sn/Pb | 1-2149520-7 |
| △ | 15.8 | 16mm | Sn/Pb | 1-2149520-6 |
| △ | 14.8 | 15mm | Sn/Pb | 1-2149520-5 |
| △ | 13.8 | 14mm | Sn/Pb | 1-2149520-4 |
| △ | 12.8 | 13mm | Sn/Pb | 1-2149520-3 |
| △ | 11.8 | 12mm | Sn/Pb | 1-2149520-2 |
| △ | 10.8 | 11mm | Sn/Pb | 1-2149520-1 |
| △ | 9.8 | 10mm | Sn/Pb | 1-2149520-0 |
| △ | 8.8 | 9mm | Sn/Pb | 2149520-9 |
| △ | 7.8 | 8mm | Sn/Pb | 2149520-8 |

THIS DRAWING IS A CONTROLLED DOCUMENT. DIMENSIONS: mm. TOLERANCES UNLESS OTHERWISE SPECIFIED: 0 PLC ±. 1 PLC ±0.13. 2 PLC ±0.013. 3 PLC ±. 4 PLC ±. ANGLES FINISH ±1.

Customer Drawing

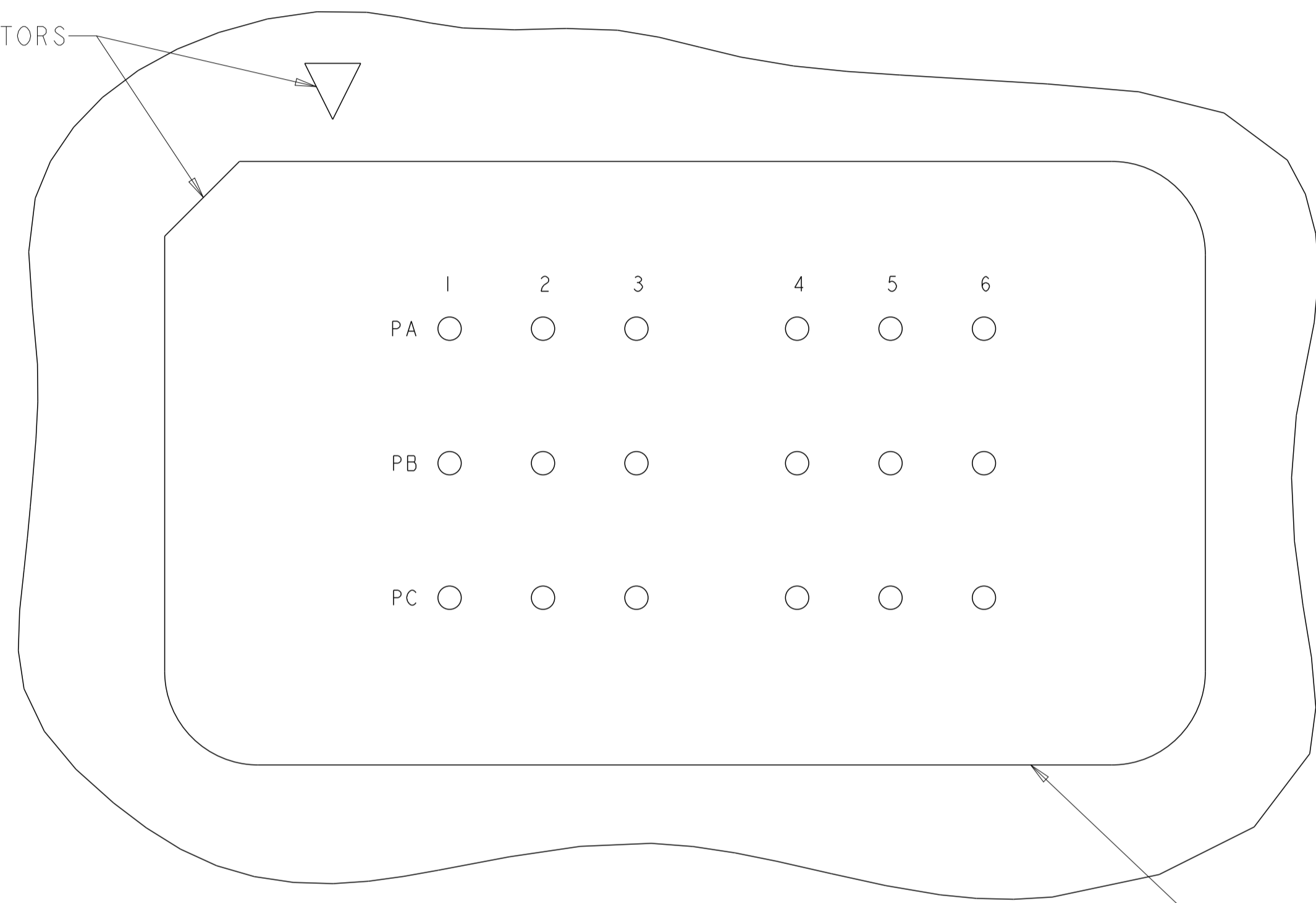
DATE: 02NOV2010
 CHK: HAMNER
 D. TROUT
 APVD: FEDDER
 PRODUCT SPEC: 108-2375
 APPLICATION SPEC: 114-13249
 WEIGHT: -

NAME: HEADER ASSEMBLY, HALF-WIDE, 6P, STRADA MESA MEZZANINE CONNECTOR
 SIZE: A1
 CAGE CODE: 00779
 DRAWING NO: 2149520
 SCALE: 6:1
 SHEET: 2 OF 4
 REV: A

STE TE Connectivity


| LOC | DIST | REVISIONS | | | |
|-----|------|-------------|------|-----|------|
| P | LTN | DESCRIPTION | DATE | DWN | APVD |
| - | - | SEE SHEET 1 | - | - | - |
| | | | | | |
| | | | | | |

AI CORNER INDICATORS

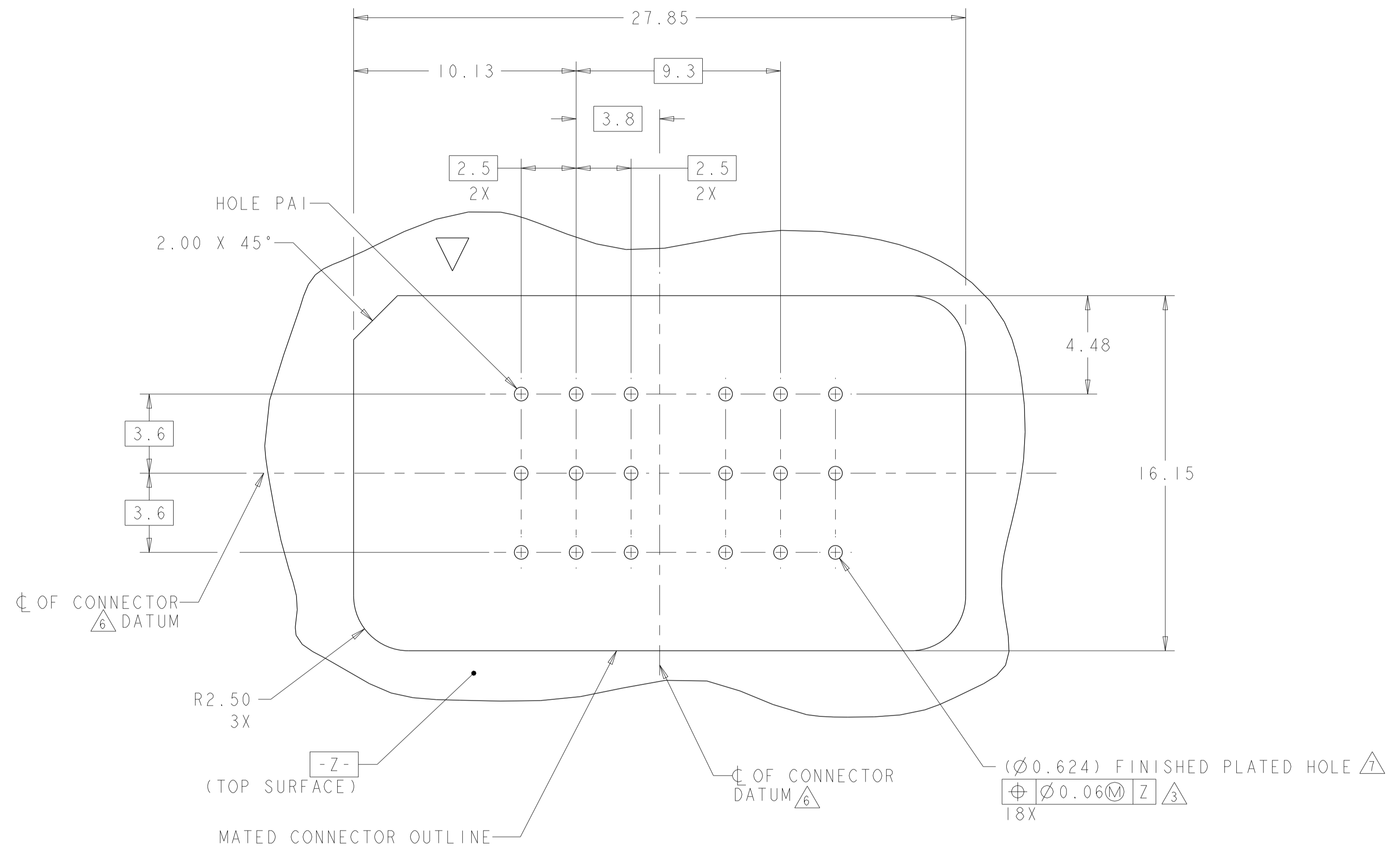


MATED CONNECTOR OUTLINE
SEE SHEET 4 FOR LOCATION TO HOLES

PCB LAYOUT AND PIN IDENTIFICATION
SHOWN FROM CONNECTOR SIDE
SCALE 8:1

| | | | | |
|--|--|-------------------|-----------|---|
| THIS DRAWING IS A CONTROLLED DOCUMENT. | | DWN HAMNER | 02NOV2010 |  TE Connectivity |
| DIMENSIONS: | | CHK D. TROUT | 03NOV2010 | |
| mm | TOLERANCES UNLESS OTHERWISE SPECIFIED: | APVD J. FEDDER | 03NOV2010 | NAME HEADER ASSEMBLY, HALF-WIDE, 6P, STRADA MESA MEZZANINE CONNECTOR |
| 0 PLC ± | 1 PLC ± | PRODUCT SPEC | 108-2375 | SIZE A100779 |
| 2 PLC ±0.13 | 3 PLC ±0.013 | APPLICATION SPEC | 114-13249 | CAGE CODE C=2149520 |
| 4 PLC ± | ANGLES ±1 | WEIGHT | - | RESTRICTED TO |
| MATERIAL | FINISH | Customer Drawing | SCALE 6:1 | SHEET 3 OF 4 |
| 4805 (3/11) | | REV A | | |

| LOC | DIST | REVISIONS | | | |
|-----|------|-------------|------|-----|------|
| P | LTN | DESCRIPTION | DATE | OWN | APVD |
| GP | 00 | SEE SHEET 1 | - | - | - |
| | | | | | |
| | | | | | |



PCB HOLE PATTERN
 SHOWN FROM CONNECTOR SIDE
 SCALE 7:1

| | | | |
|---|--|---|---|
| THIS DRAWING IS A CONTROLLED DOCUMENT. | | DWN HAMNER 02NOV2010 | TE Connectivity |
| DIMENSIONS: mm | | CHK D. TROUT 03NOV2010 | |
| TOLERANCES UNLESS OTHERWISE SPECIFIED: 0 PLC ± 1 PLC ± 2 PLC ±0.13 3 PLC ±0.013 4 PLC ± ANGLES ±1 FINISH - | | APVD J. FEDDER 03NOV2010 PRODUCT SPEC 108-2375 APPLICATION SPEC 114-13249 WEIGHT - | NAME HEADER ASSEMBLY, HALF-WIDE, 6P, STRADA MESA MEZZANINE CONNECTOR |
| MATERIAL - | | SIZE 114-13249 | RESTRICTED TO |
| Customer Drawing | | SCALE 6:1 | SHEET 4 OF 4 REV A |

X-ON Electronics

Largest Supplier of Electrical and Electronic Components

Click to view similar products for [High Speed/Modular Connectors](#) category:

Click to view products by [TE Connectivity](#) manufacturer:

Other Similar products are found below :

[650827-1](#) [74040-1346](#) [1410191-1](#) [1410368-3](#) [1410964-2](#) [1410326-3](#) [1410367-3](#) [1410971-4](#) [1467833-1](#) [2000877-1](#) [2000878-1](#) [2041314-1](#)
[2065387-1](#) [2187307-1](#) [163P](#) [1934290-1](#) [2000875-1](#) [2065917-1](#) [2102736-2](#) [FSR-40](#) [2169868-2](#) [22354-8](#) [437-5040-000](#) [5-1393565-0](#) [039-](#)
[0246-000](#) [0740618502](#) [0761601016](#) [0784461022](#) [10123159-12ELF](#) [030-2415-003/100 PK](#) [030-7380-004](#) [030-2494-001](#) [532939-1](#) [5532901-](#)
[3](#) [3-1469268-7](#) [74748-102LF](#) [10041743-101LF](#) [10066670-100002LF](#) [1-533915-1](#) [249-4515-000](#) [7-1469373-3](#) [DL2-2J/S](#) [2000713-8](#)
[2000713-7](#) [10124313-101LF](#) [3011-21](#) [757105208](#) [430305-001](#) [4395800100](#) [8140115](#)